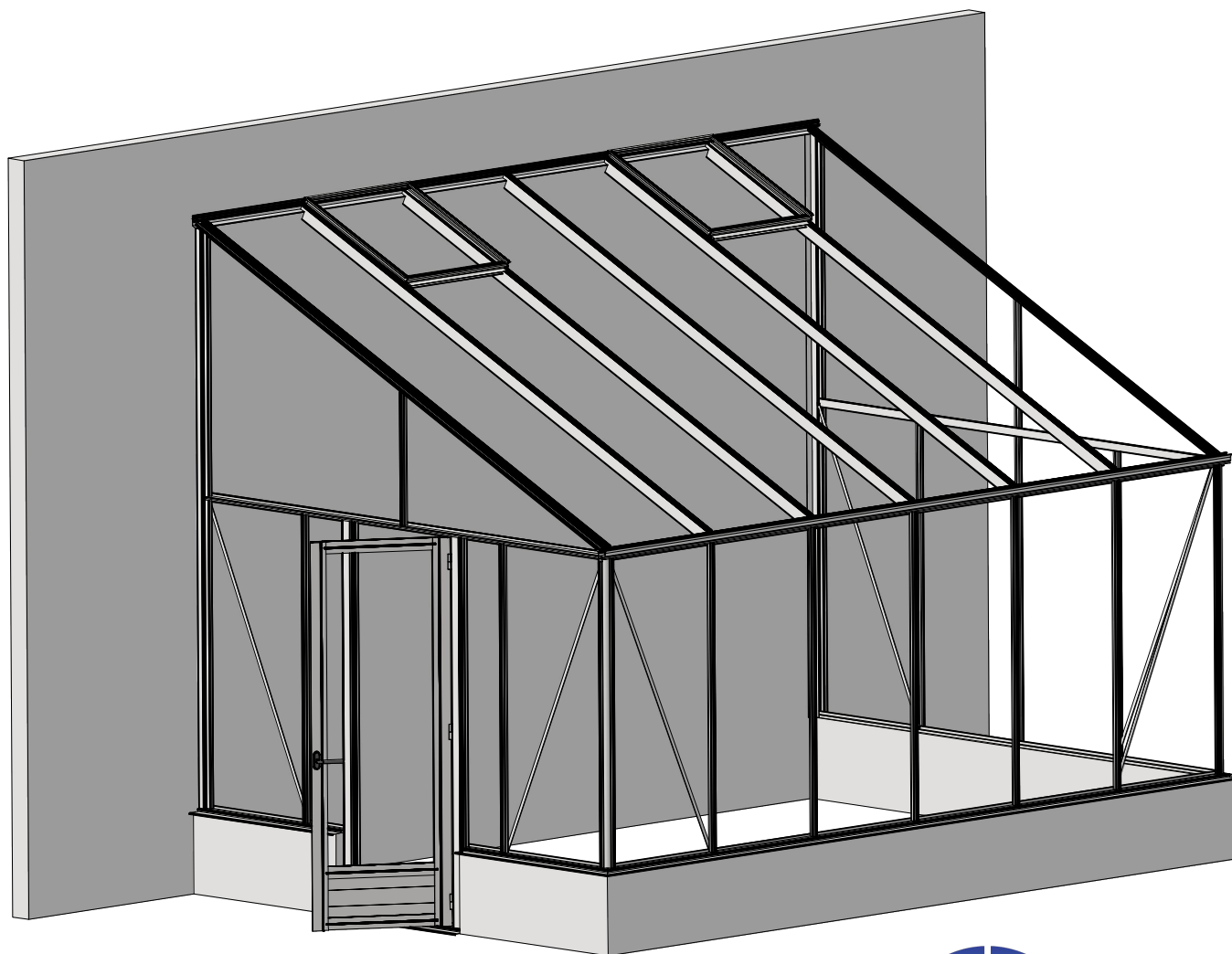
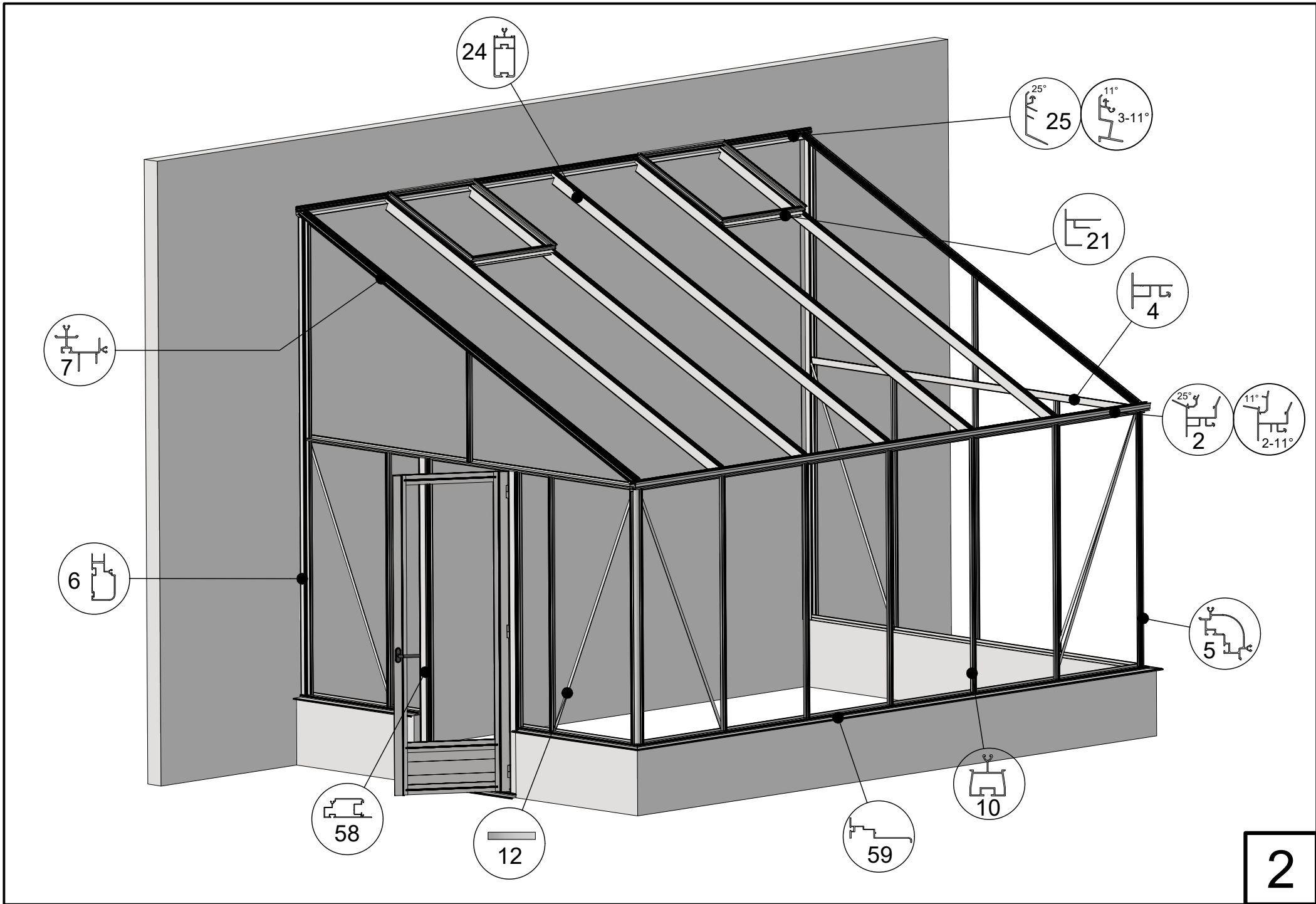

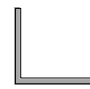

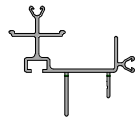
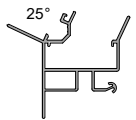
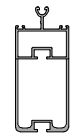

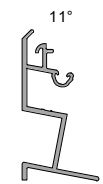
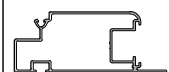
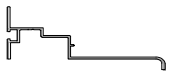
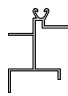
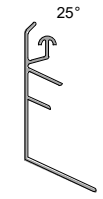
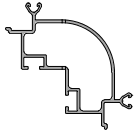
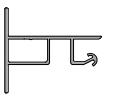

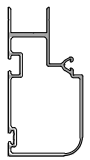

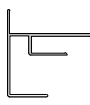


# Euro-Muurserre 3,07 on wall



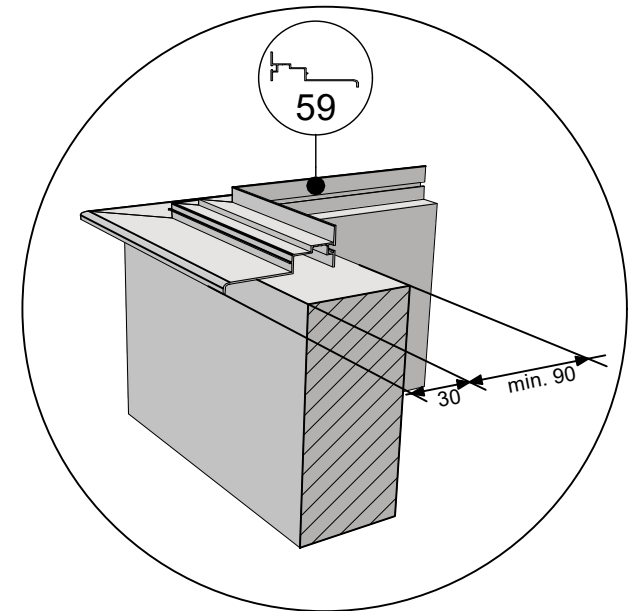
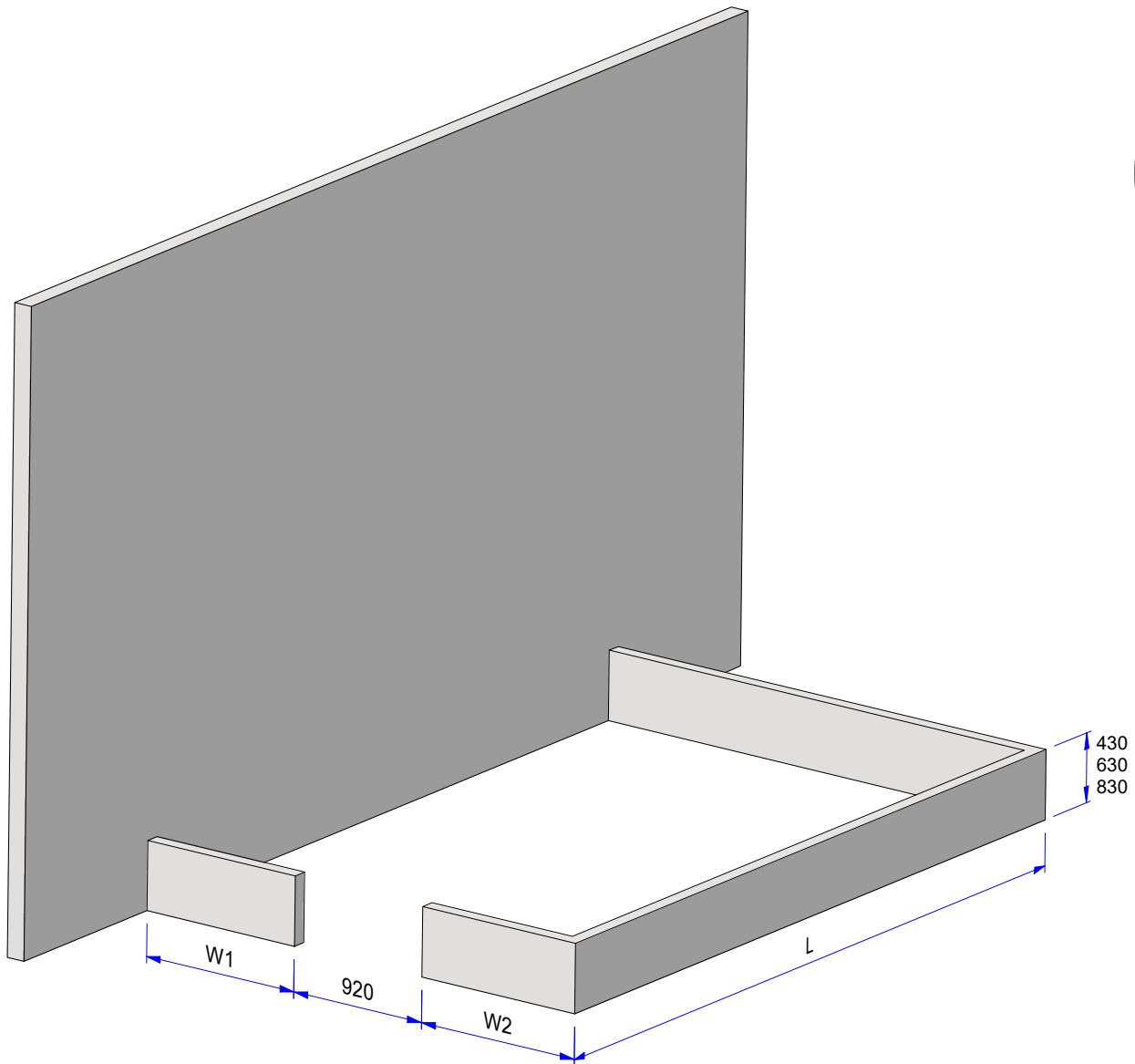
08-11-2023



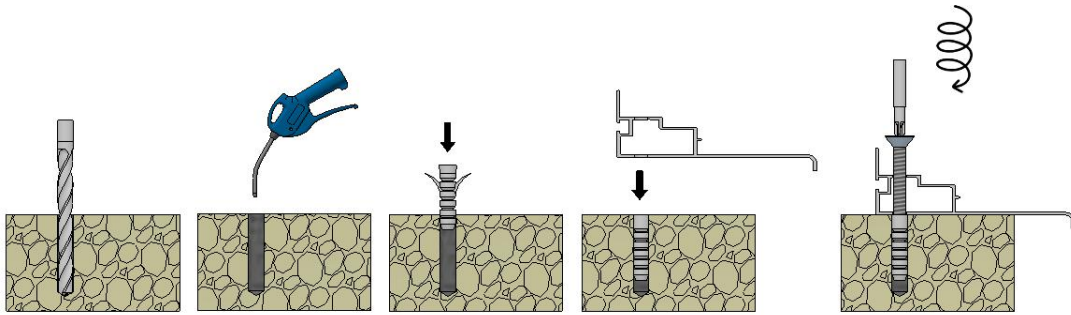
Profile list											
-	NR	Profile NR	-	NR	Profile NR	-	NR	Profile NR	-	NR	Profile NR
	2-11°	7151		17	L40/40/2		12	7070		7	7151
	2	11788		24	10968		18	17542		3-11°	11280
	58	12960		59	9249		19	17543		25	17666
	5	17548		4	17549		20T	28513			
	6	9915		10	17541		21	29577			


- Attention! Check inside the foundation for more profiles.
- Please fasten screws and nuts hand-tight.
  
- Achtung! Prüfen sie das fundament für weitere profile.
- Schraube und Mutter bitte handfest festziehen.
  
- Opgelet! kijk in de fundering voor andere profielen.
- Bout en moer a.u.b. handvast aandraaien.
  
- Attention! Regarde à l'intérieur du fondation pour plussier profils.
- Serrez les écrous et vis à la main s.v.p.
  
- Observera at en del profiler ligger i sockelprofilen!!
- Dra åt skruven och muttern handfast.






W1	W2	L
		2385
		3122
		3859
		4596
		5333
		6070
		6807
		7544
		8281
		9018

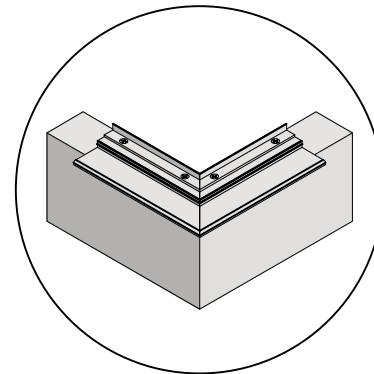
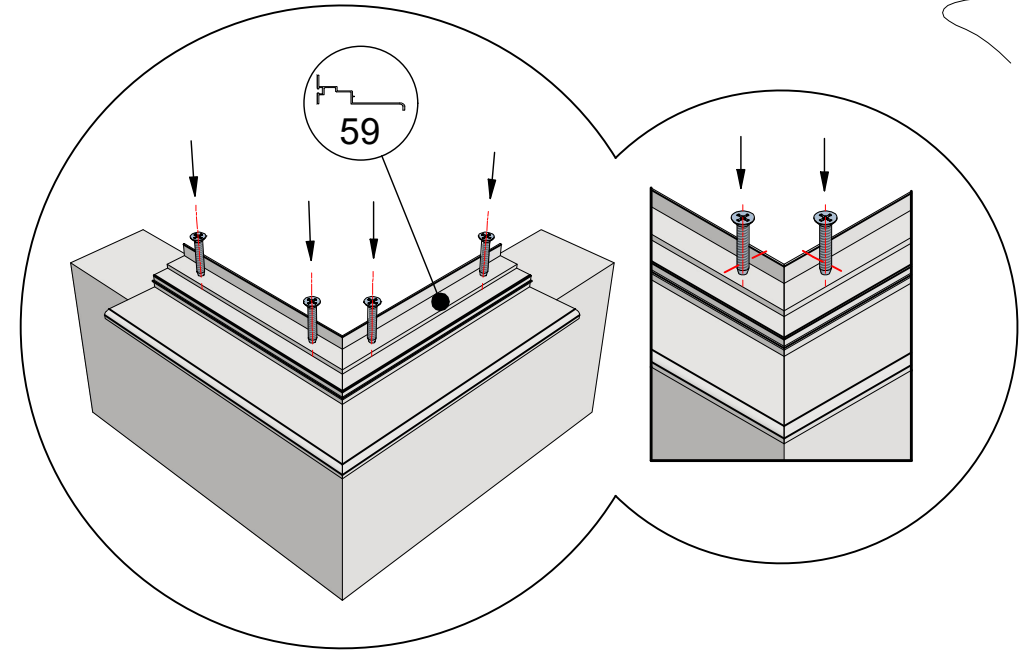
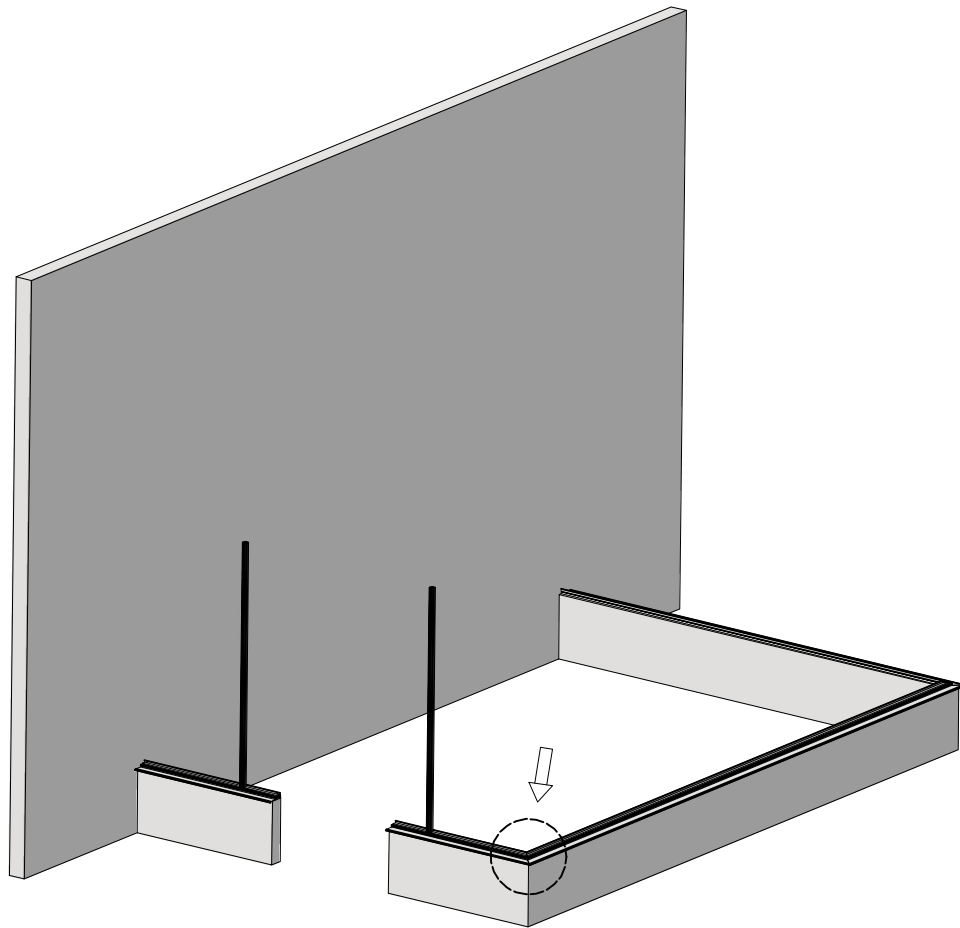
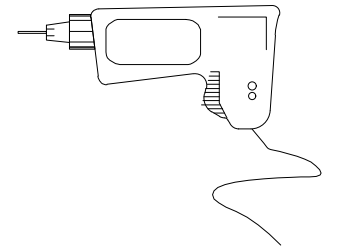


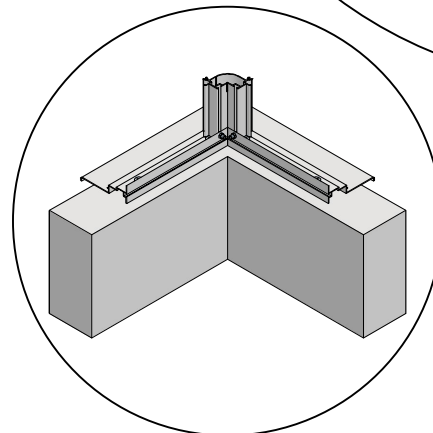
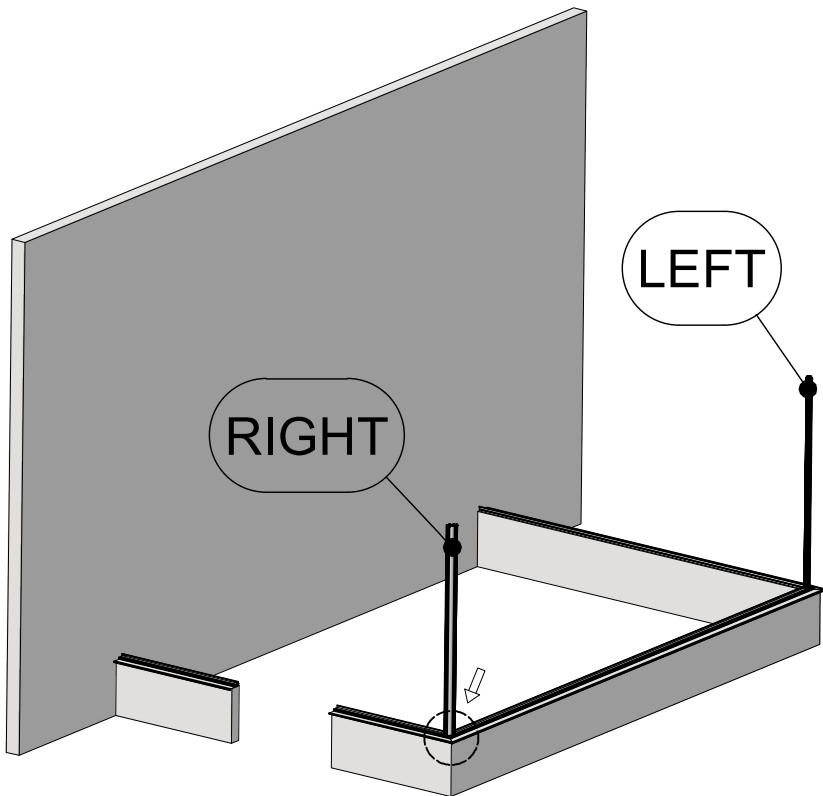
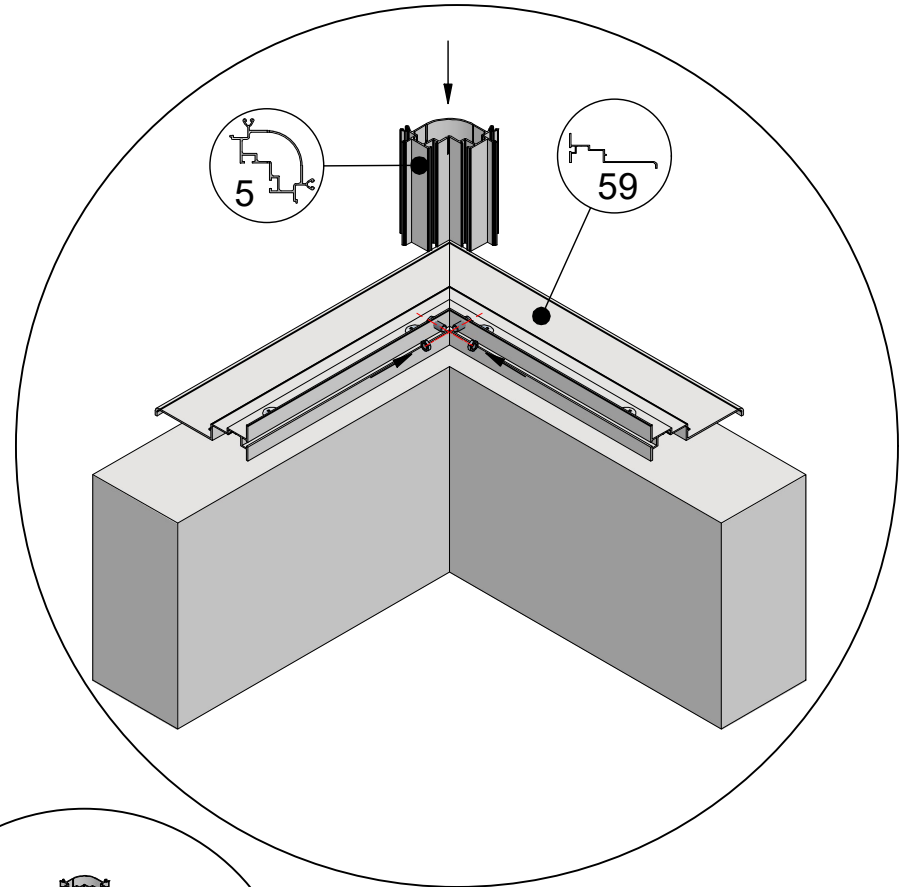
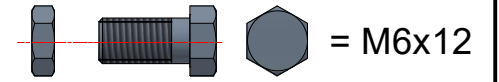
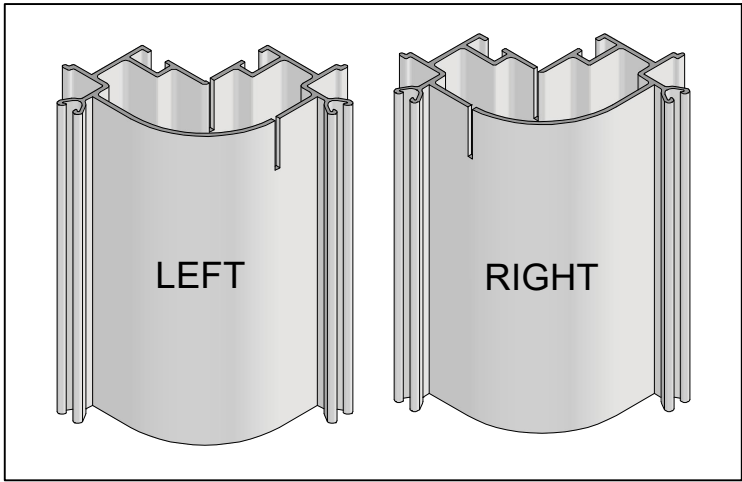
 = 8x40

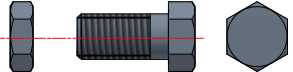


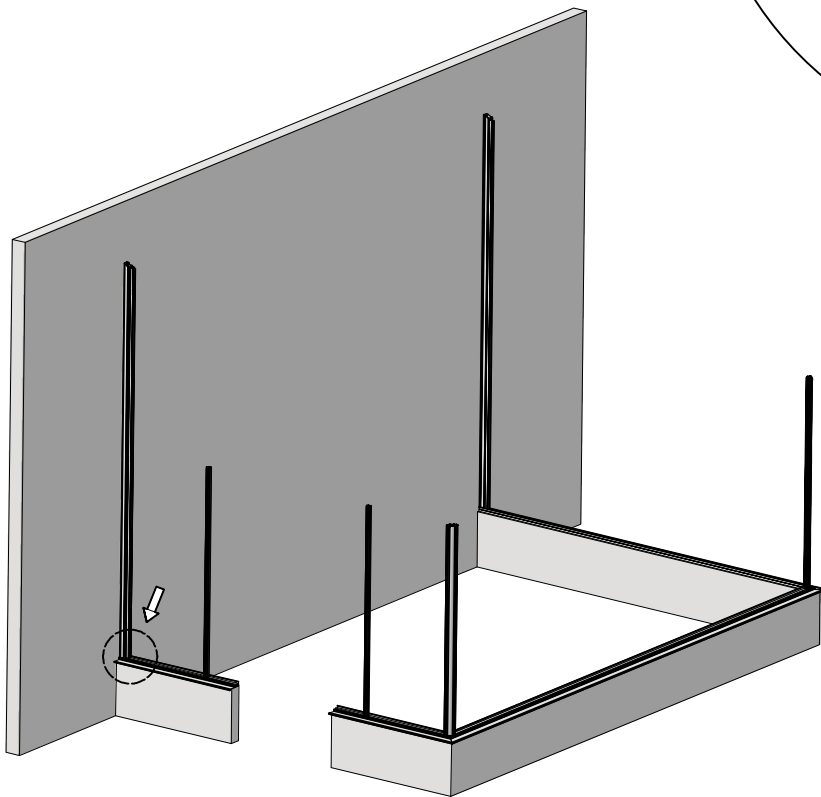
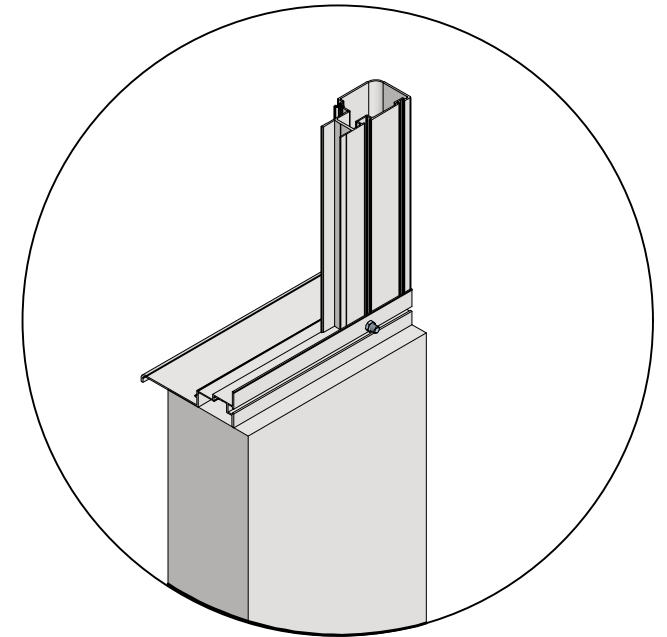
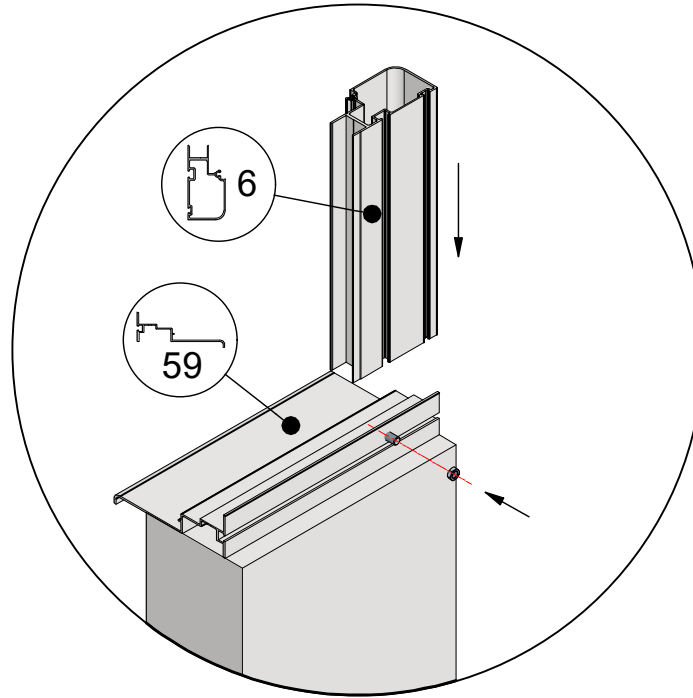
 = 6x120

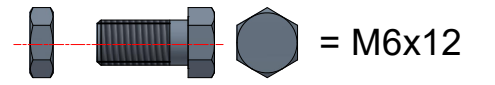
Ø = 8mm

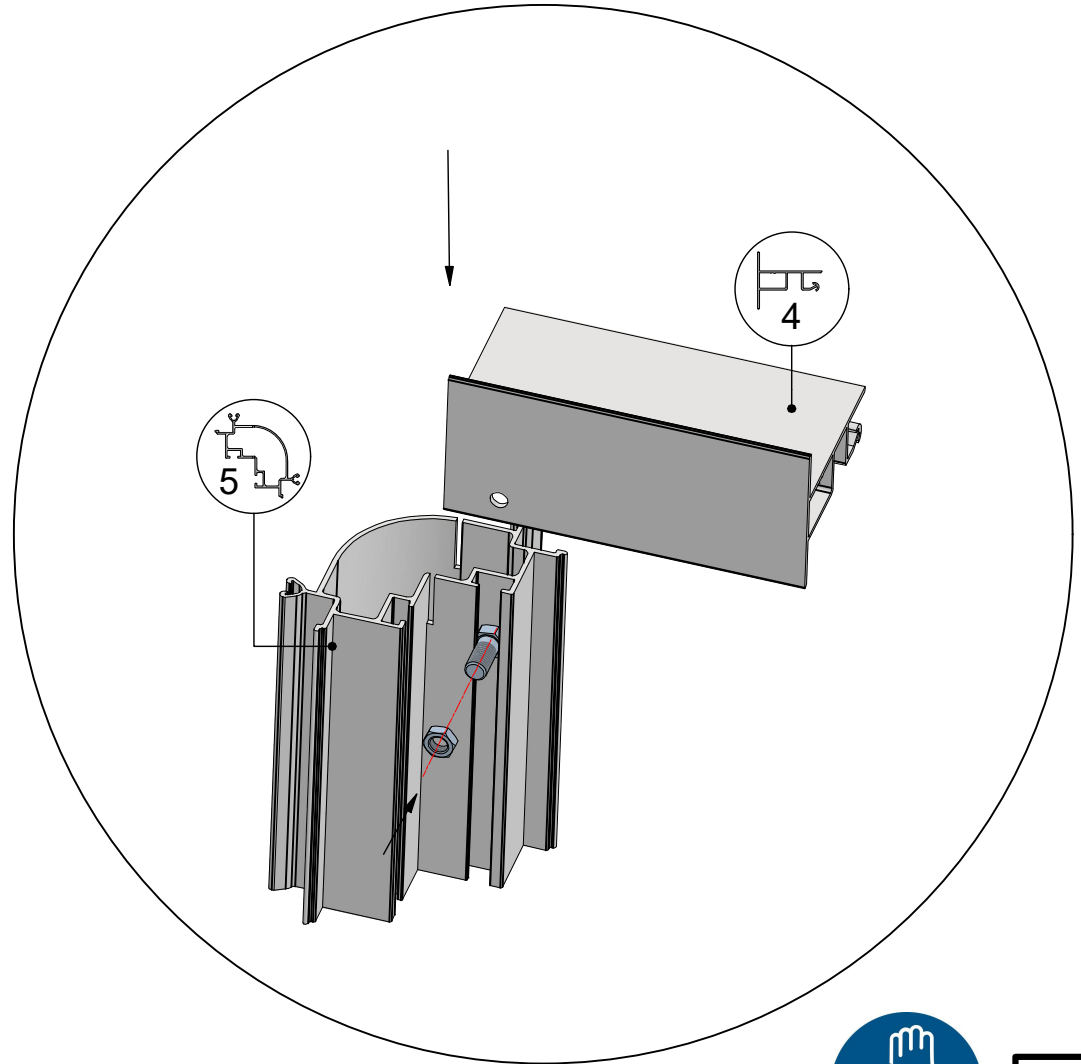
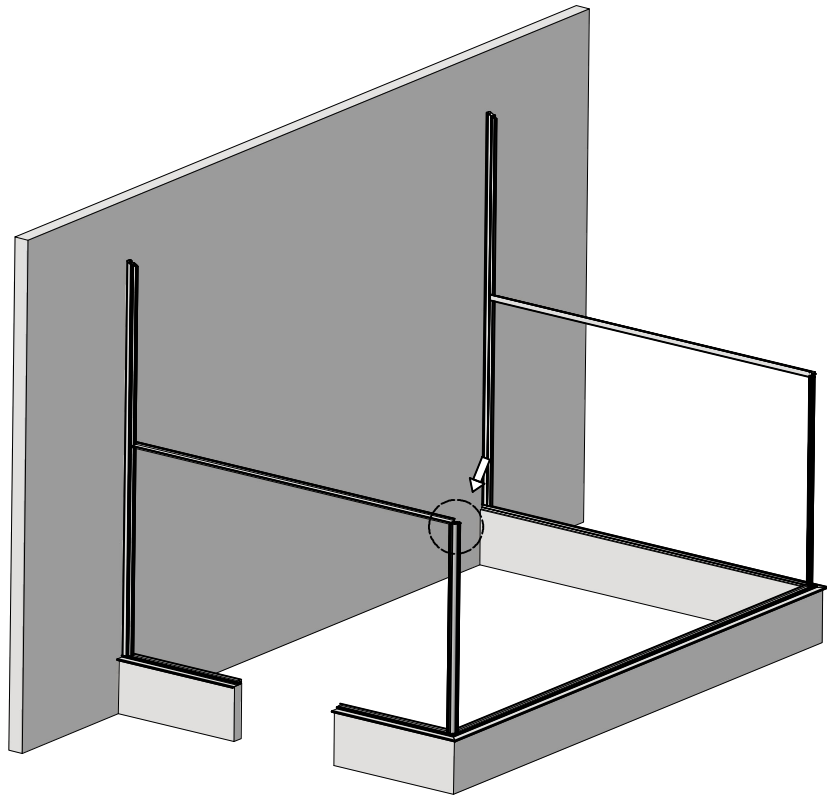
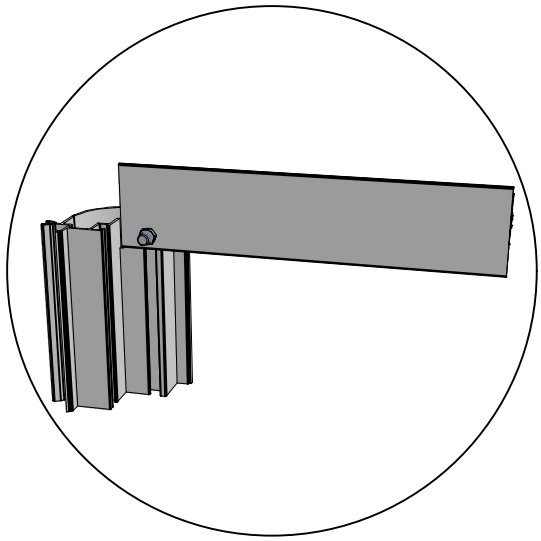





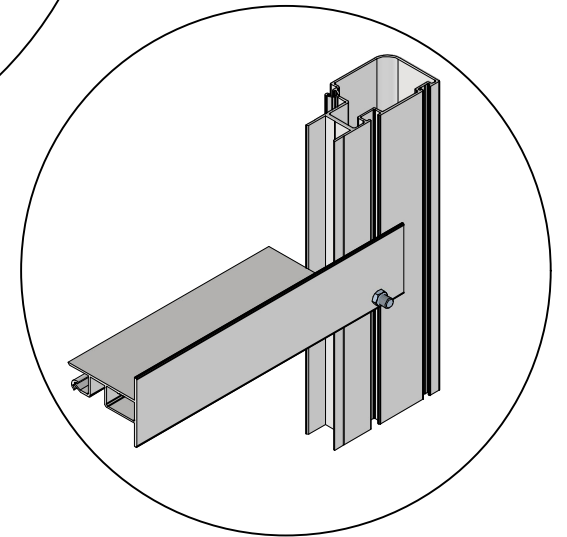
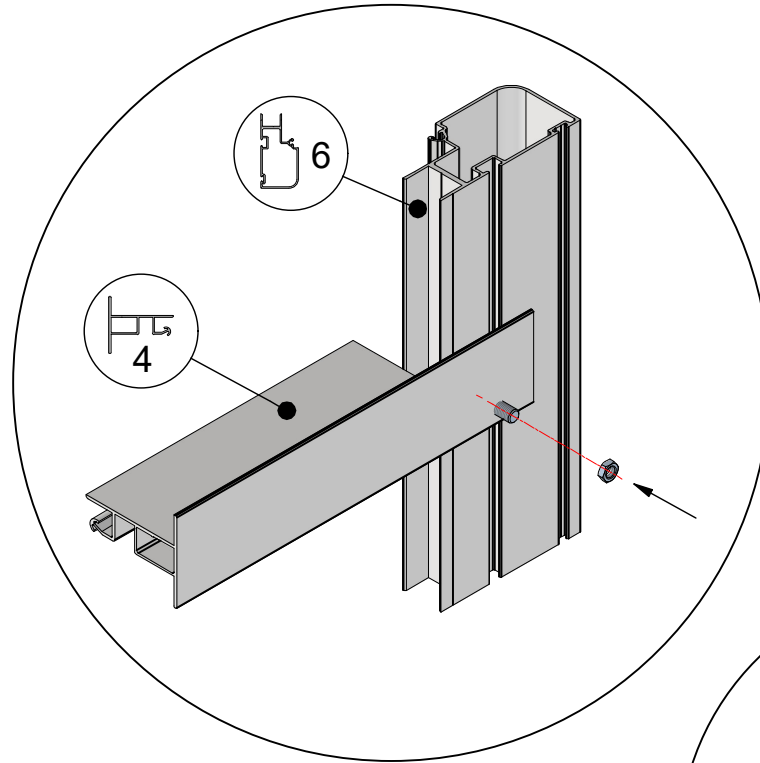
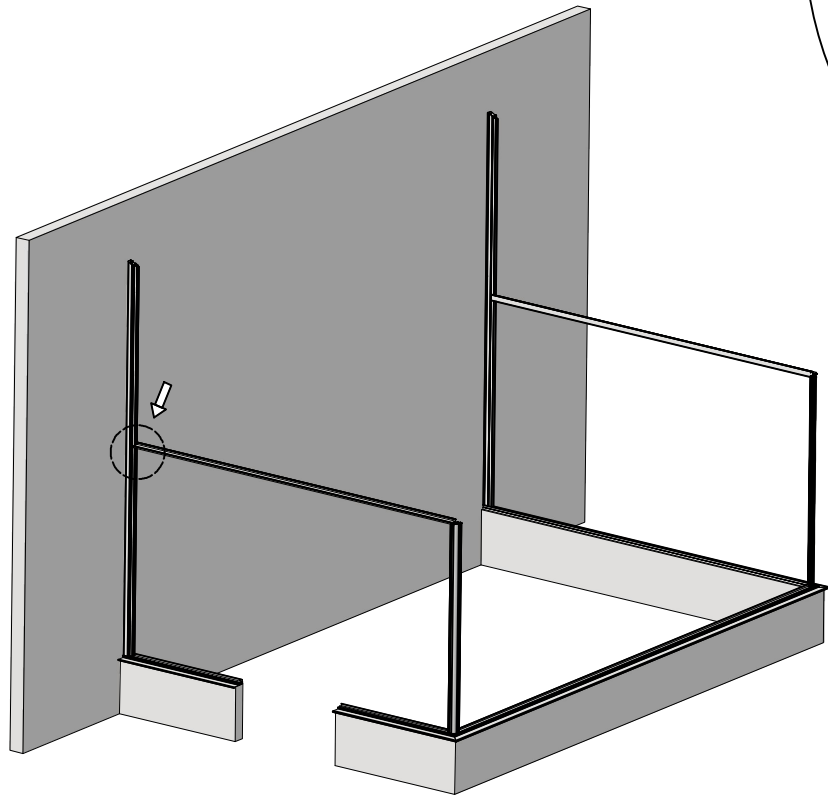
 = M6x12



 = M6x12

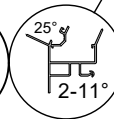
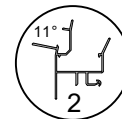
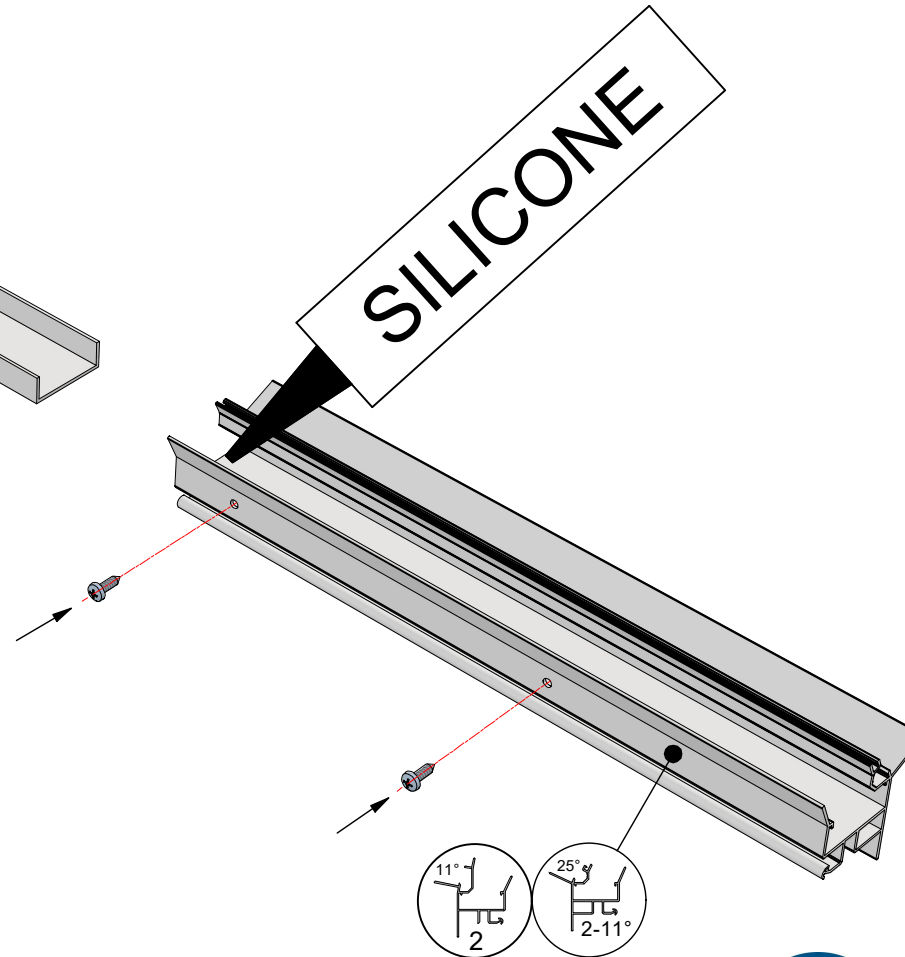
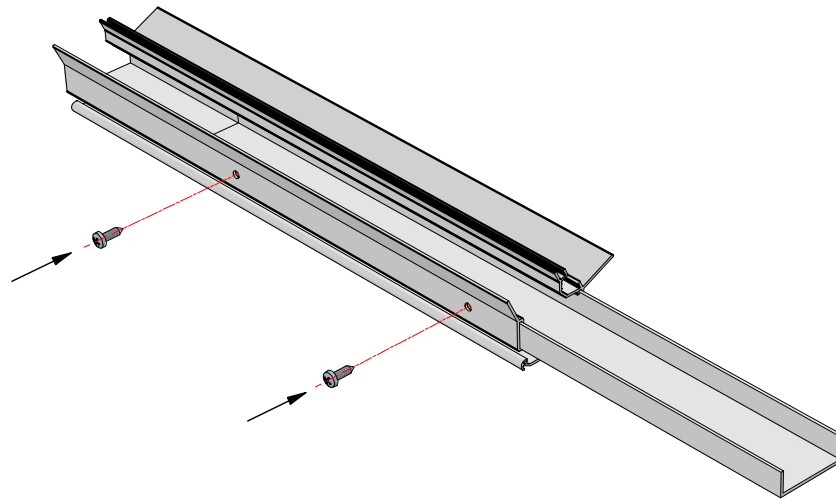
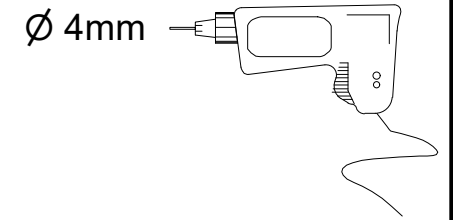


 = M6x12

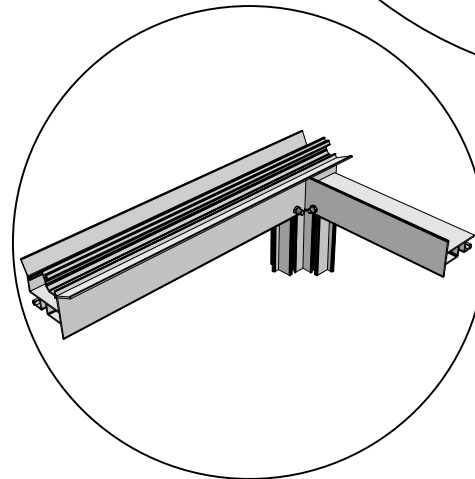
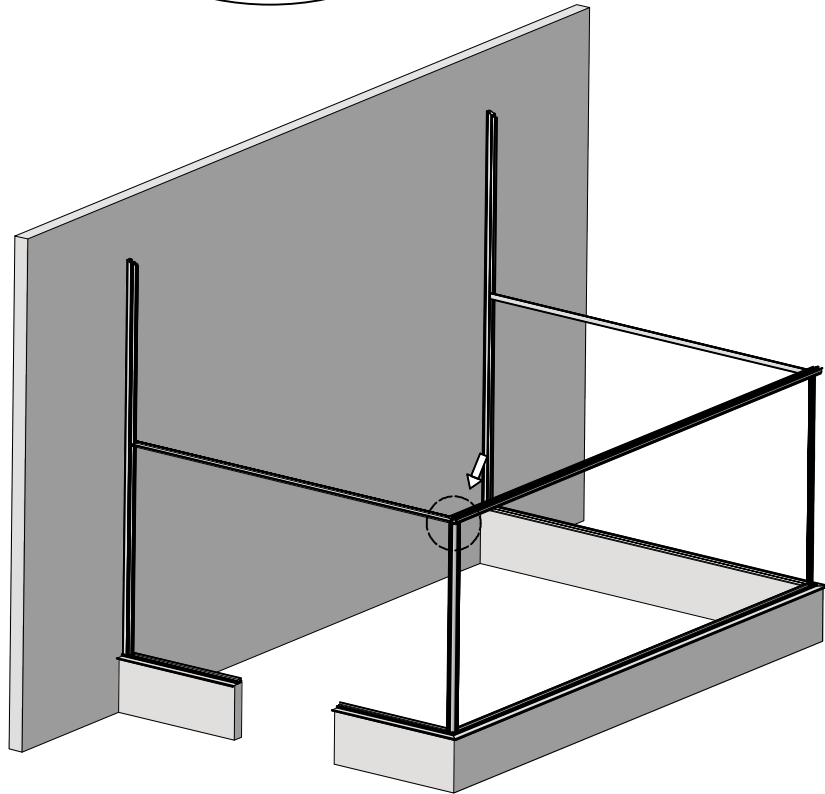
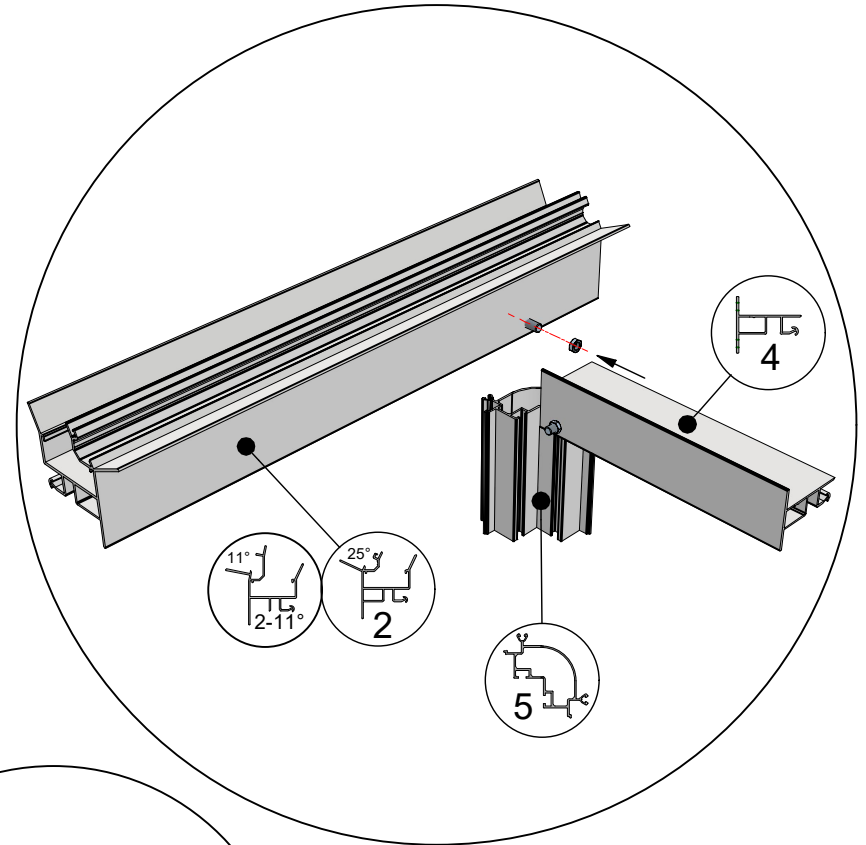
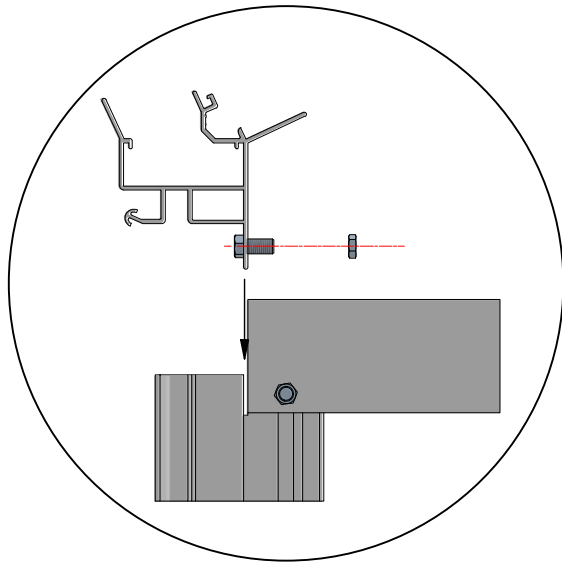


10


# Euro-Muurserre > 6,04

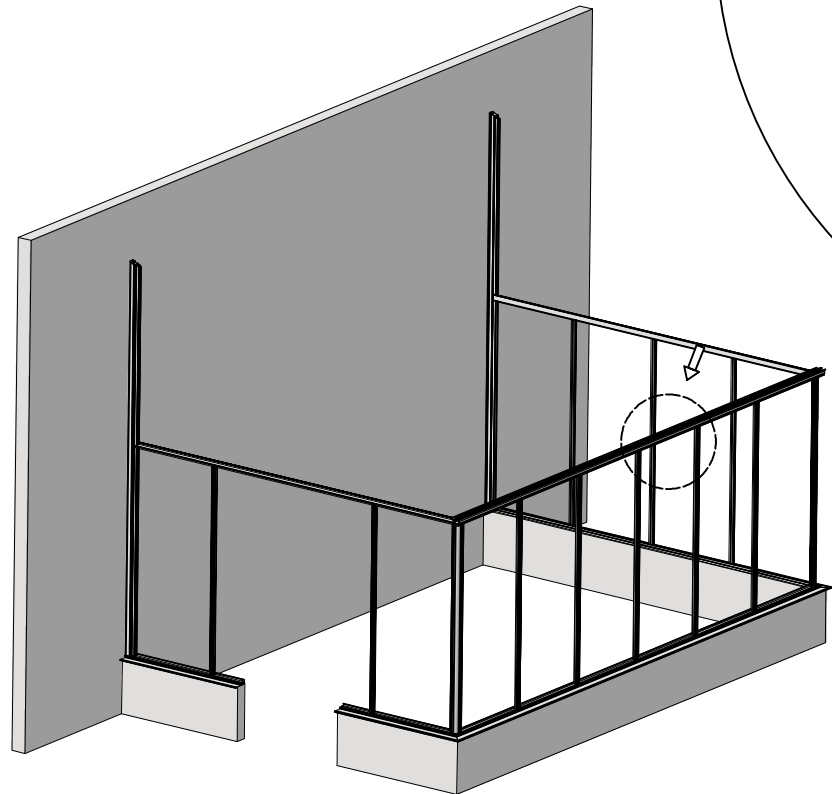
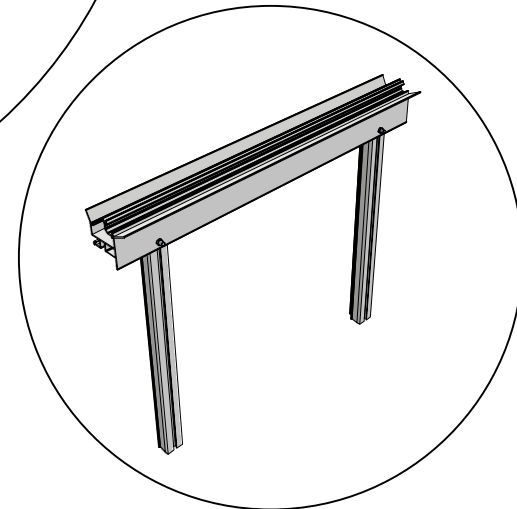
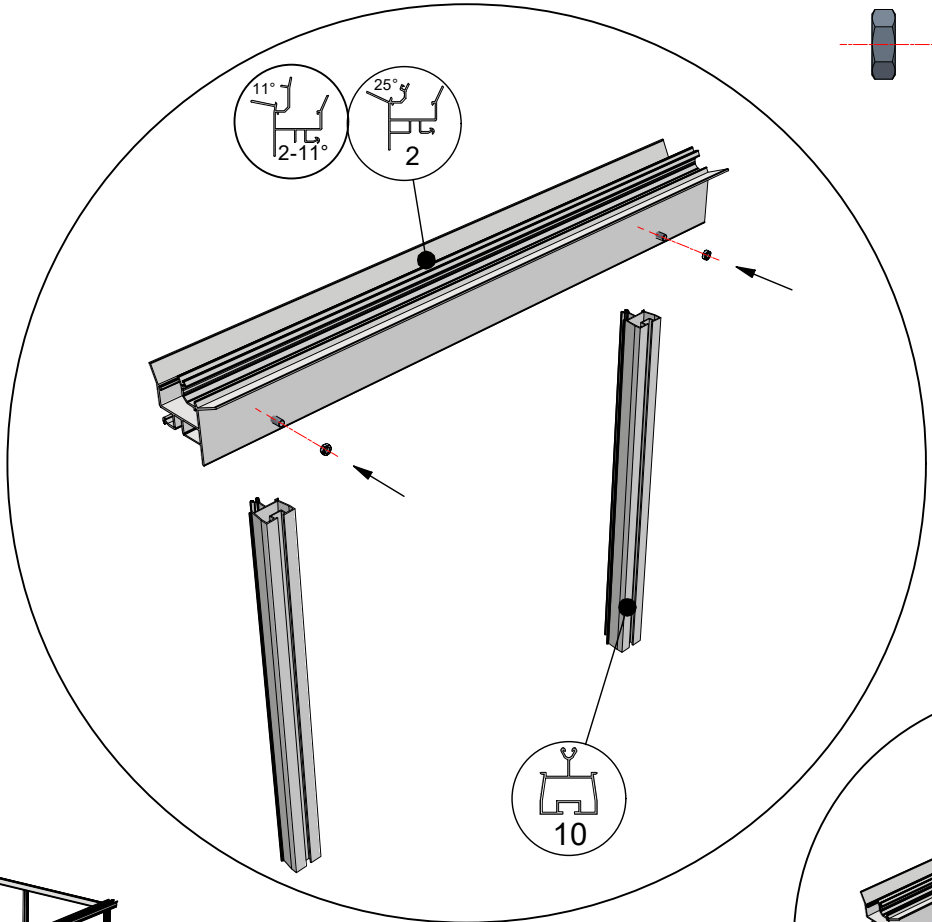


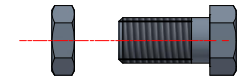
 = M6x12 (4x)

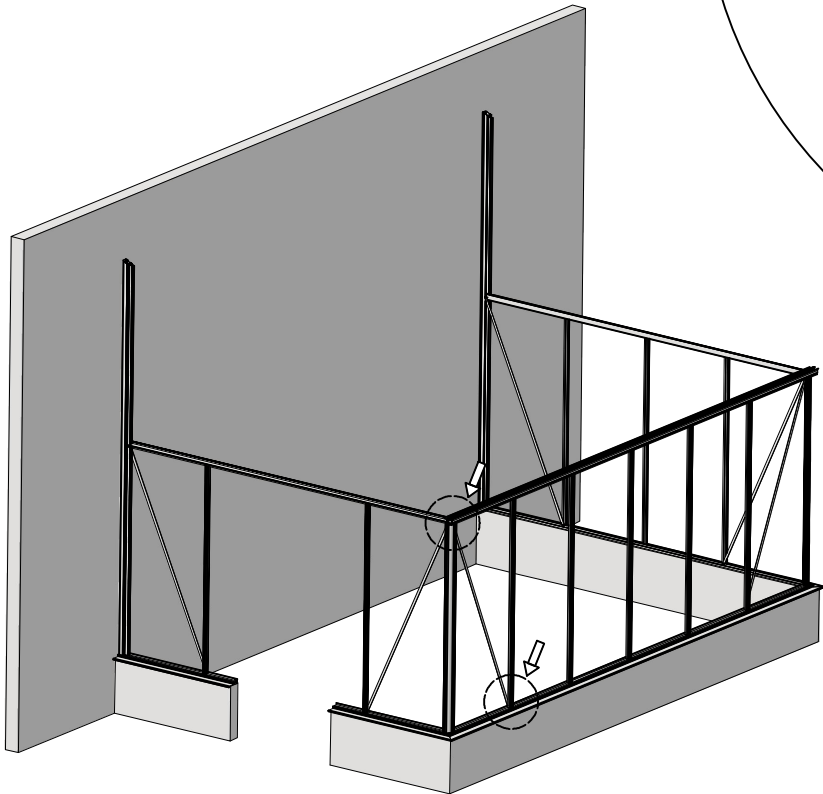
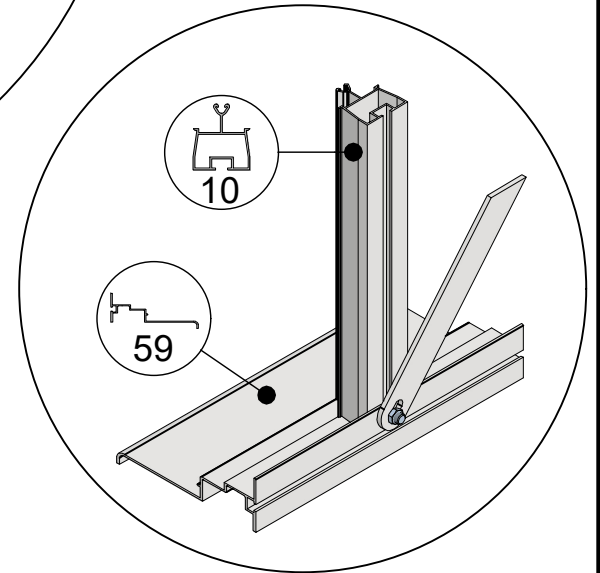
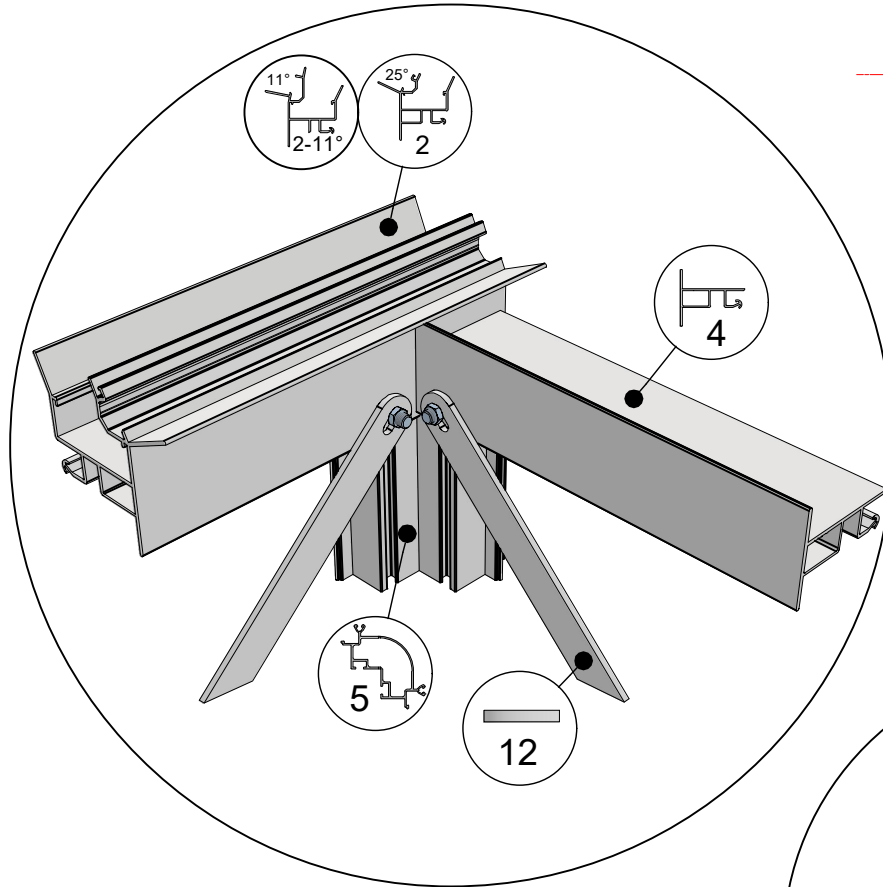


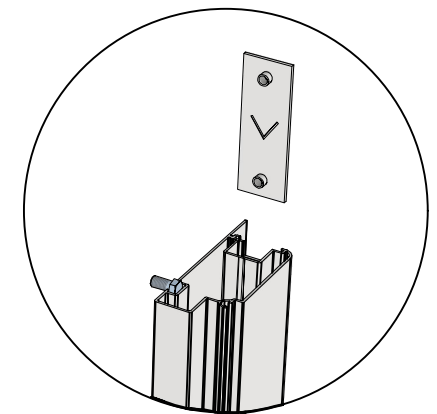
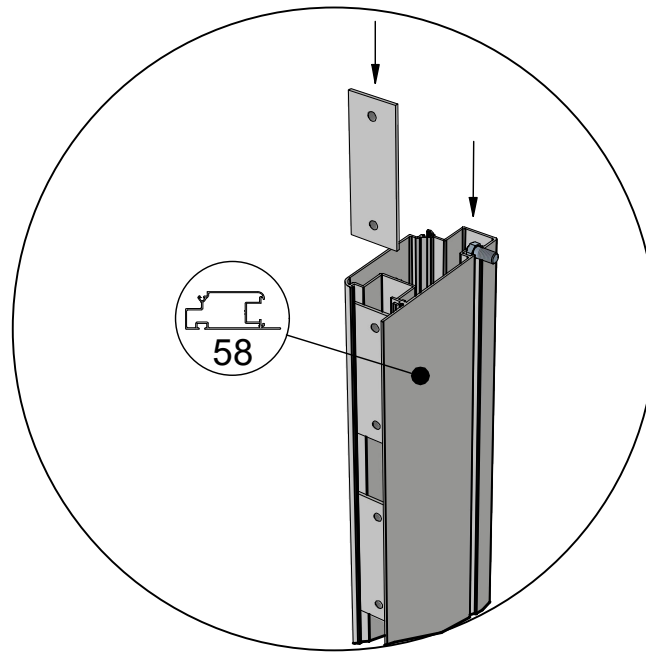
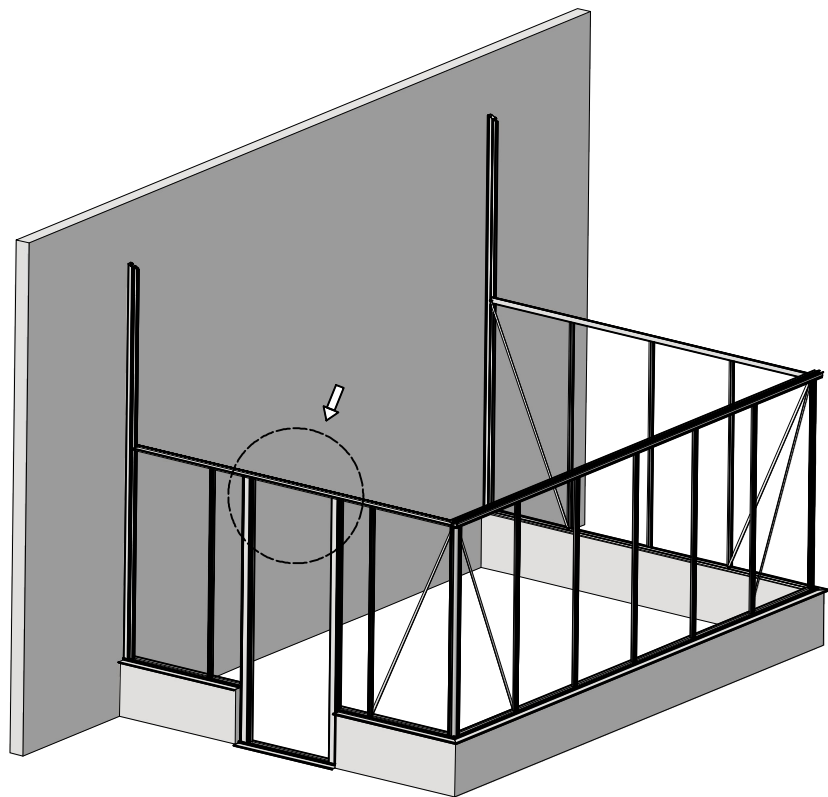


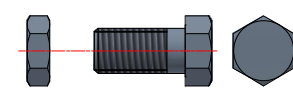
 = M6x12

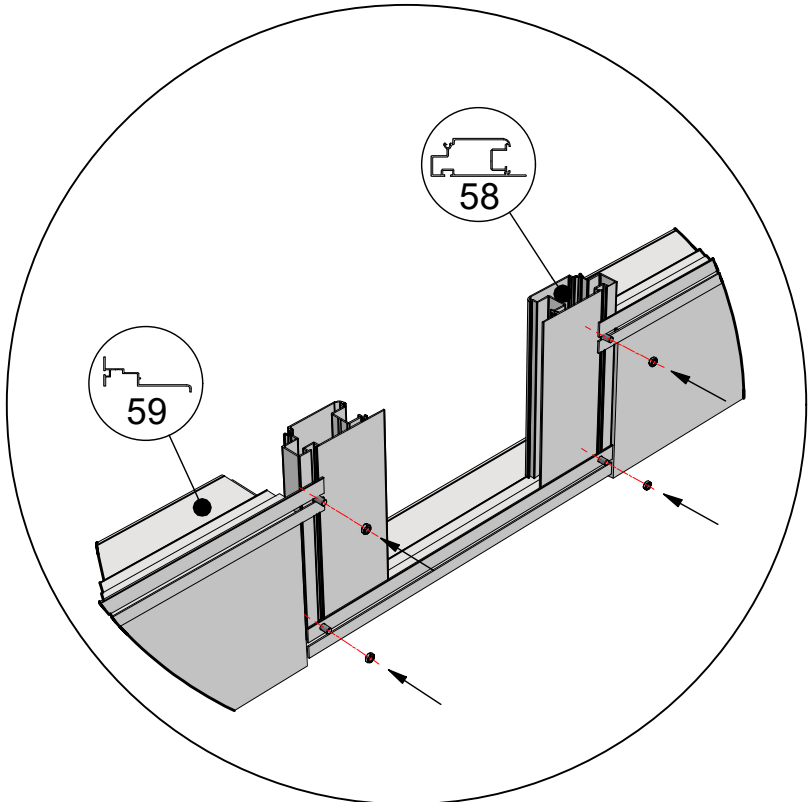
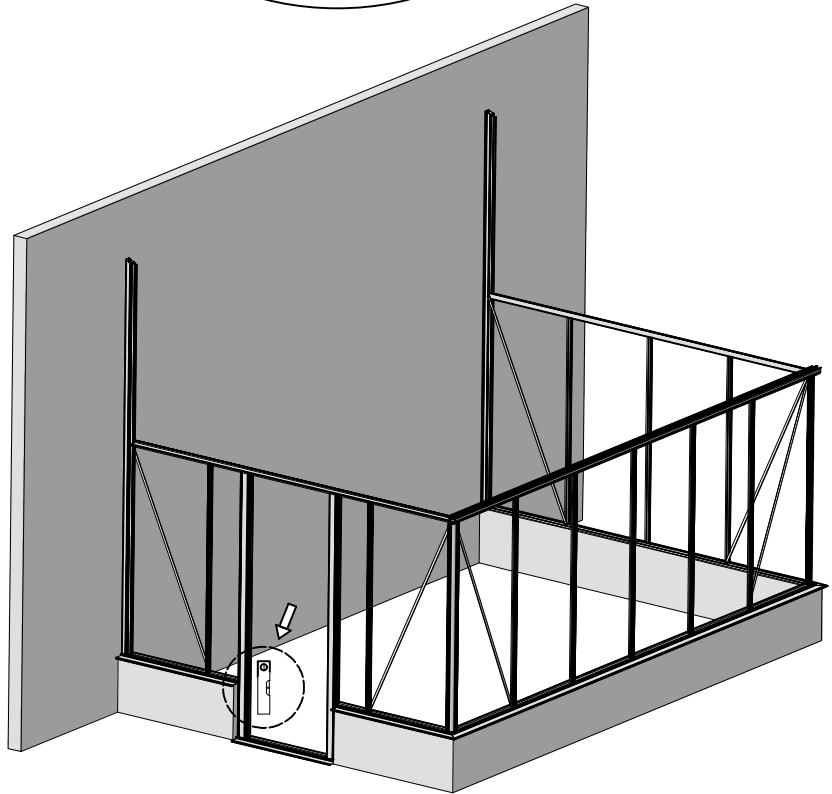
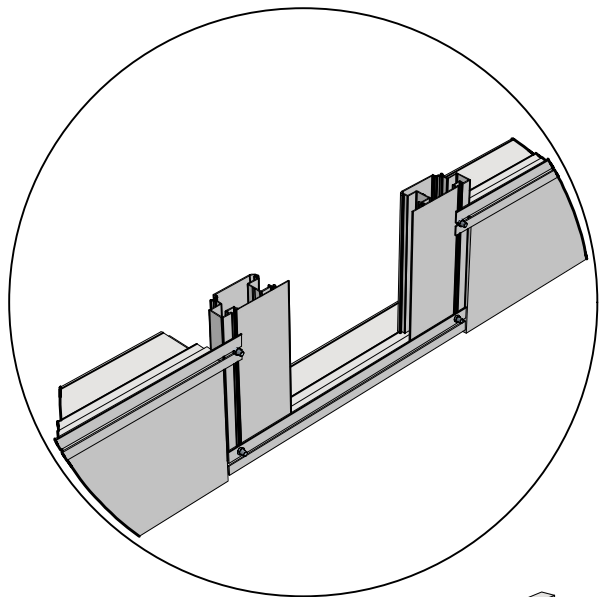



 = M6x12

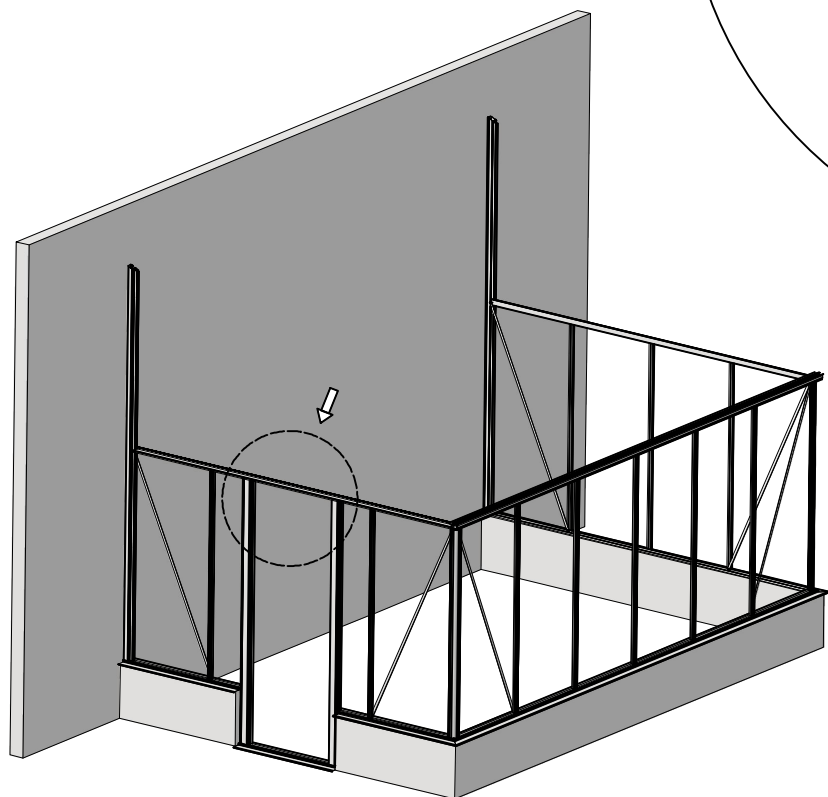
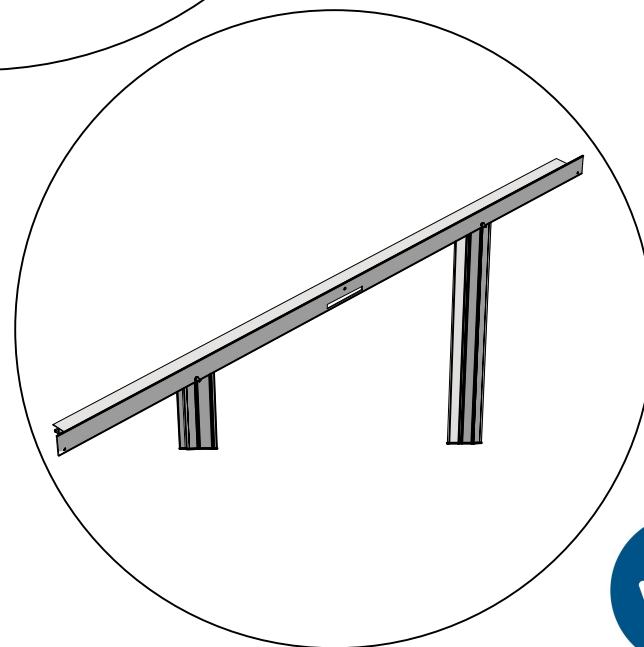
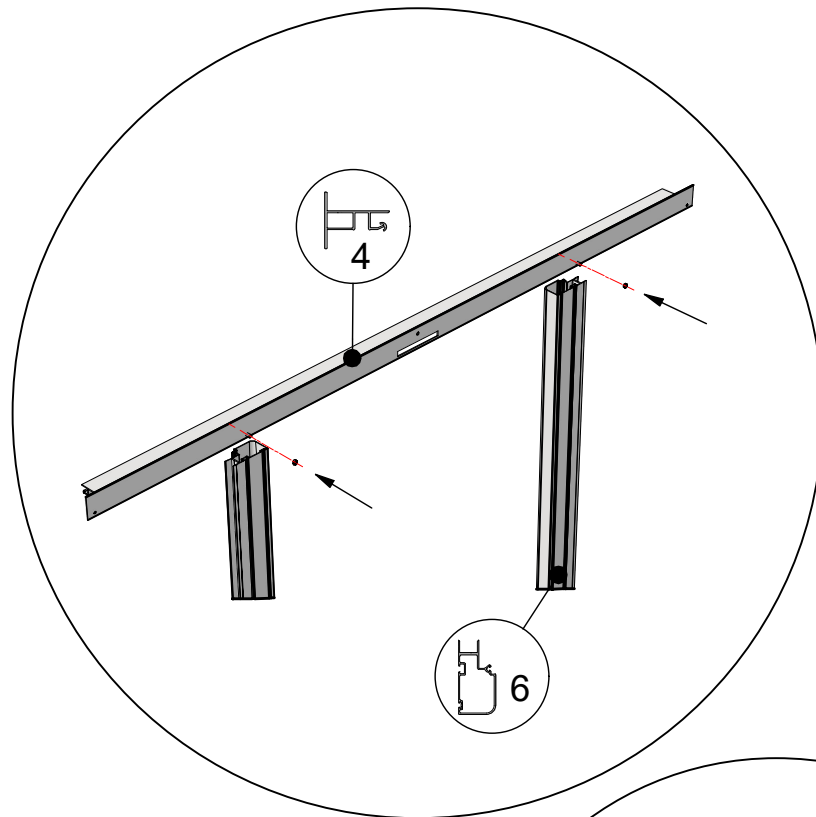





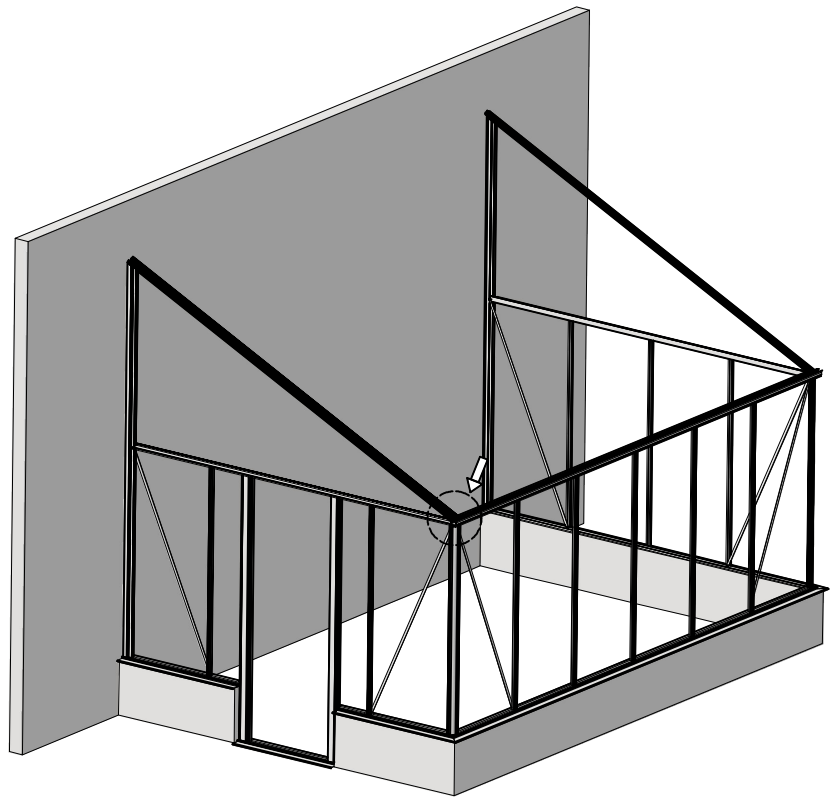
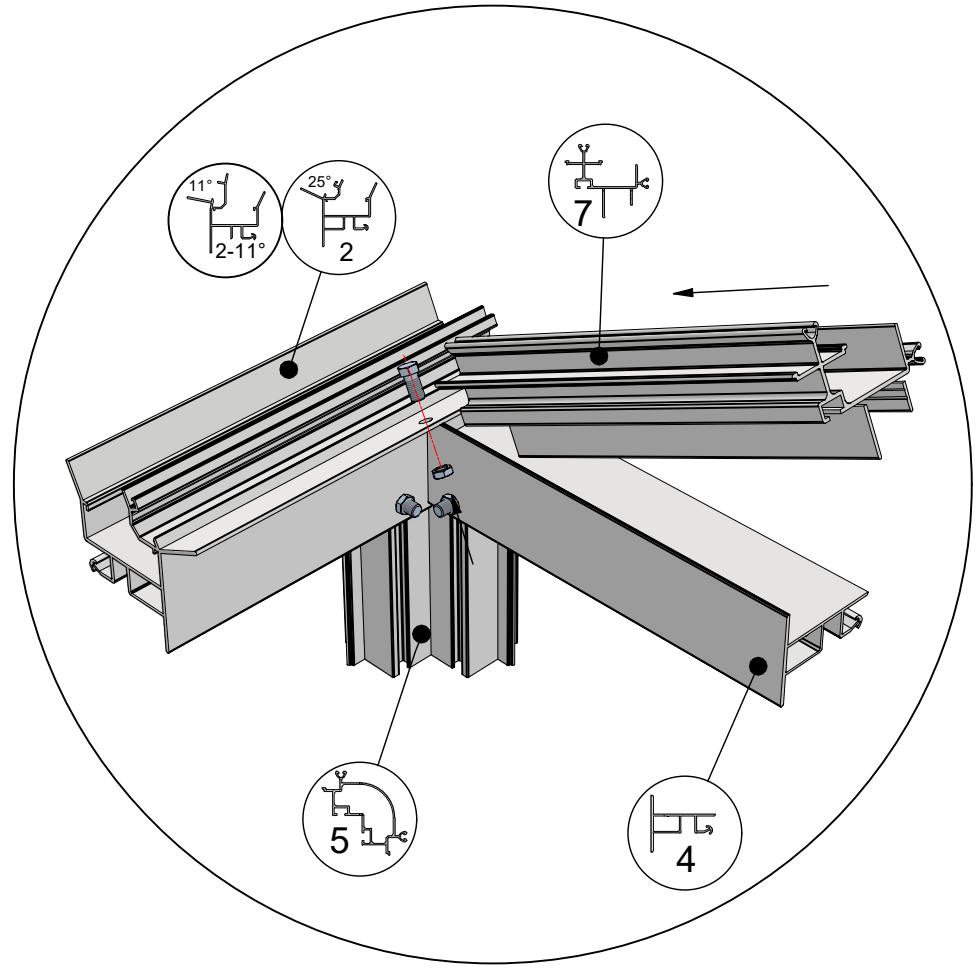
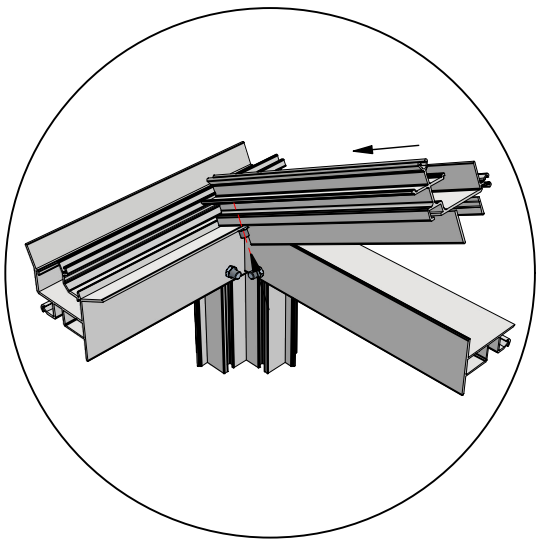
 = M6x12




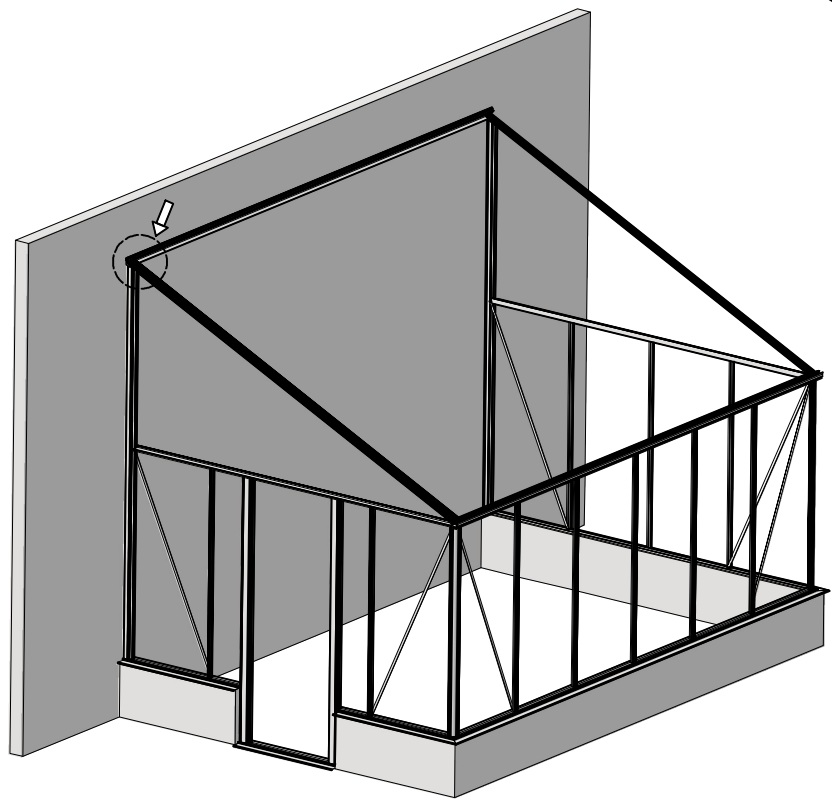
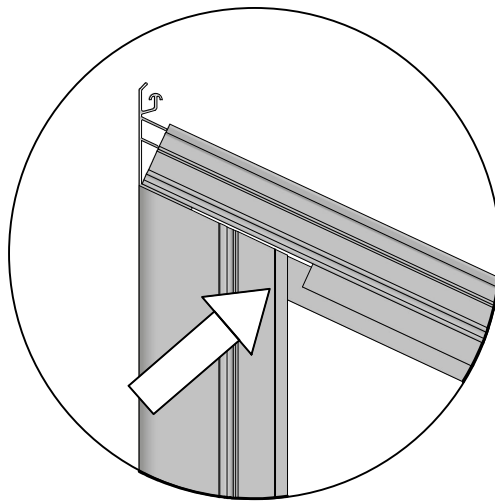
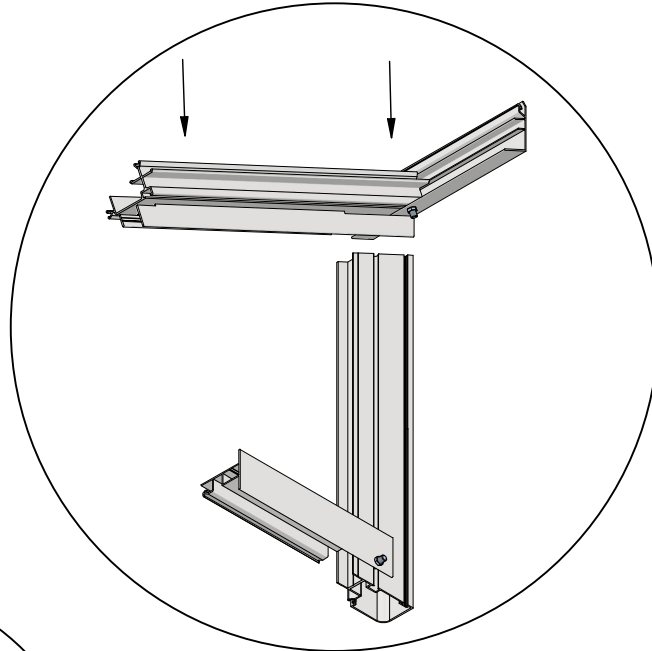
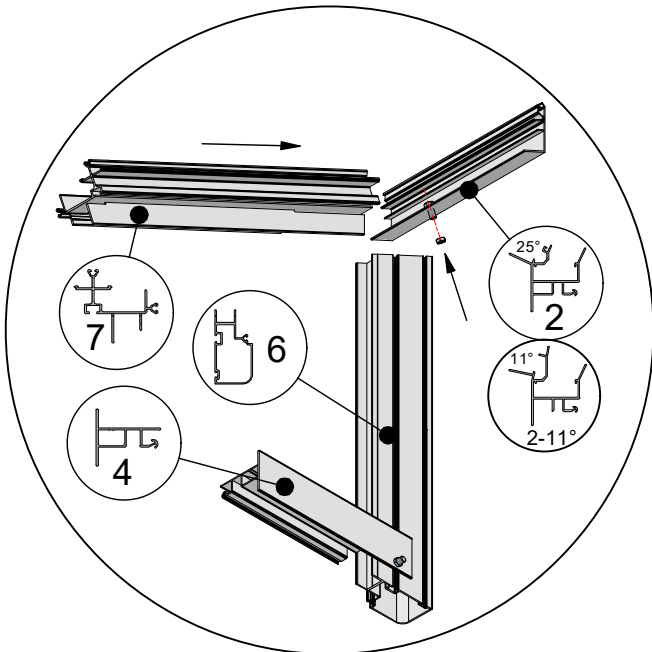
 = M6x12

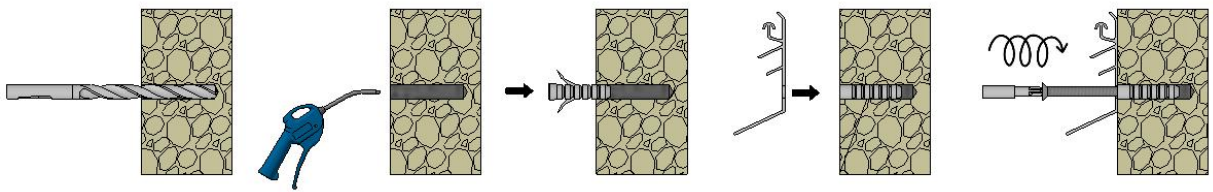


 = M6x12

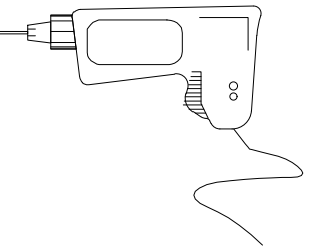


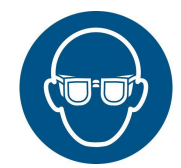
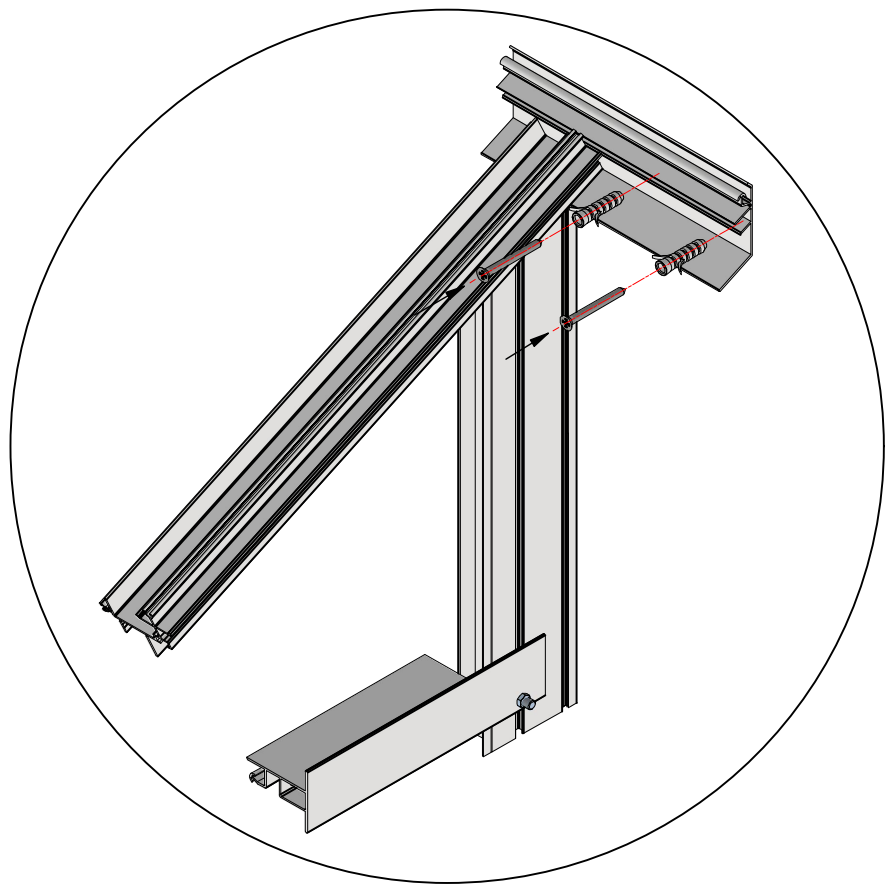
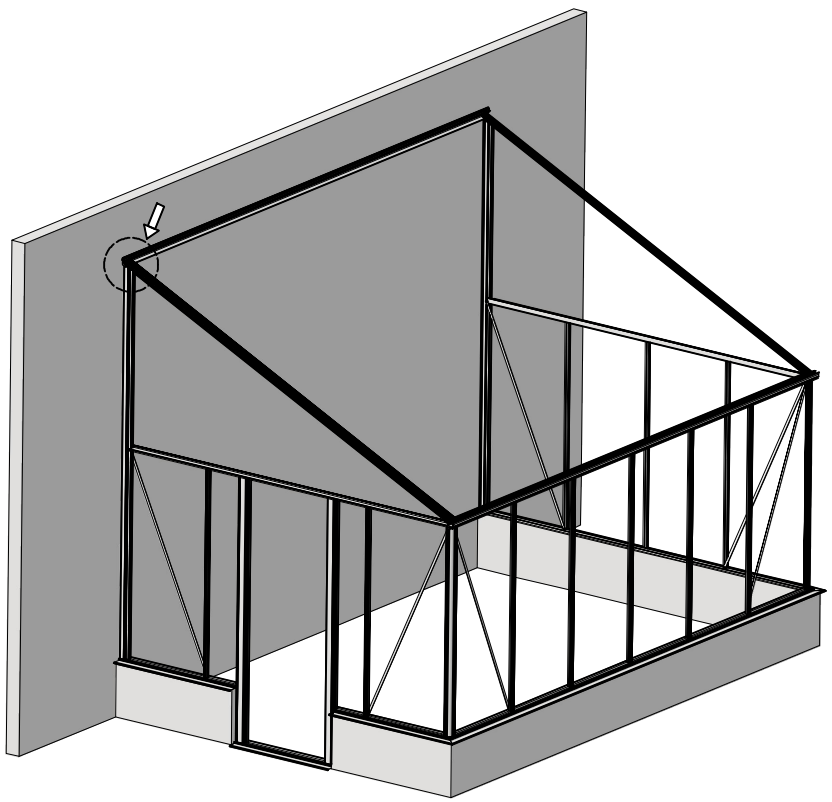
 = M6x12





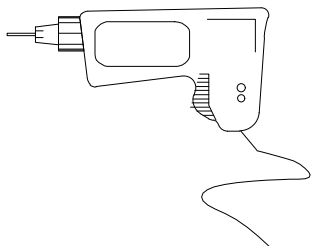
 = 8x40    
  = M5x60    
  = M5x60

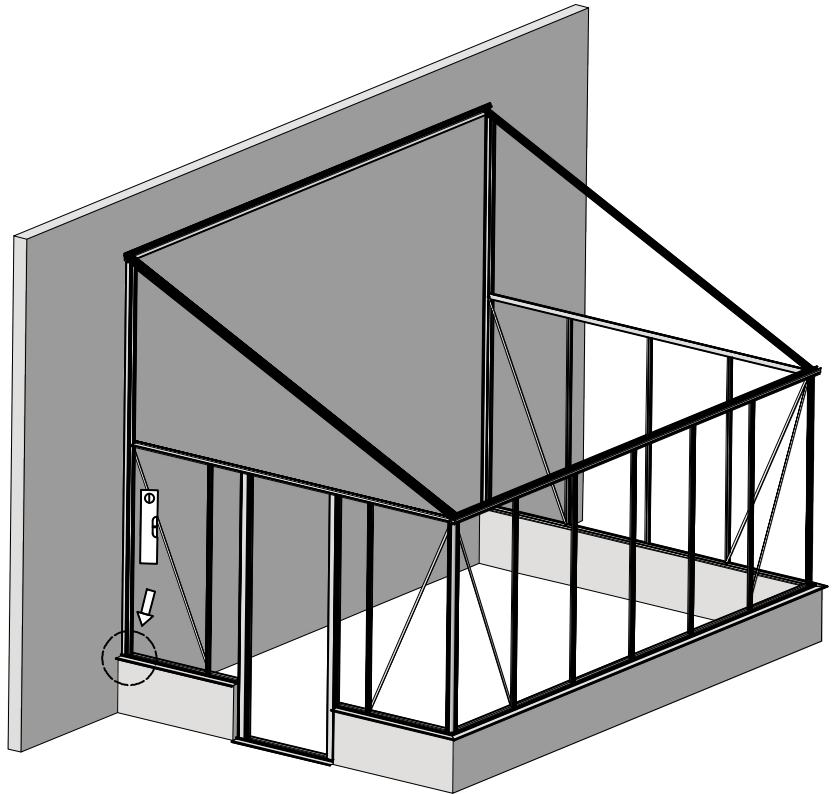
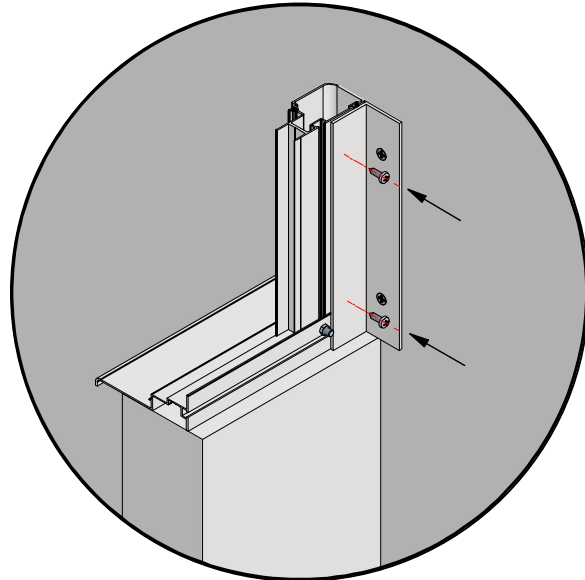
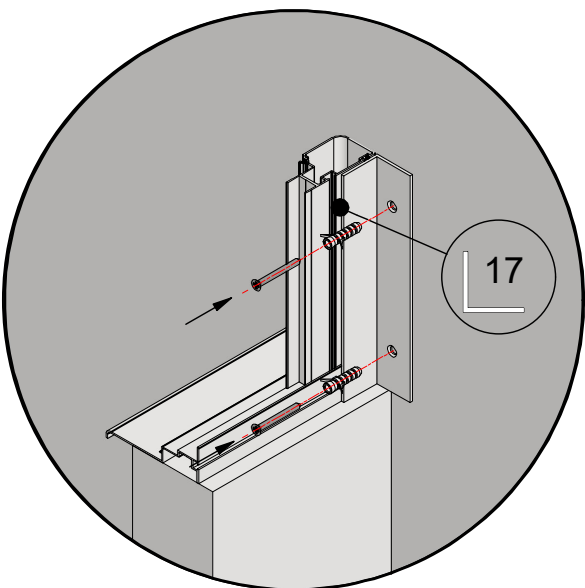
Ø = 8mm 



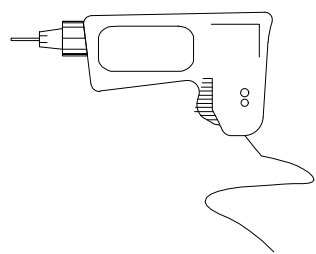


 = 8x40     = M5x60

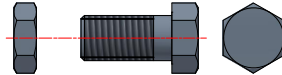
Ø = 8mm 

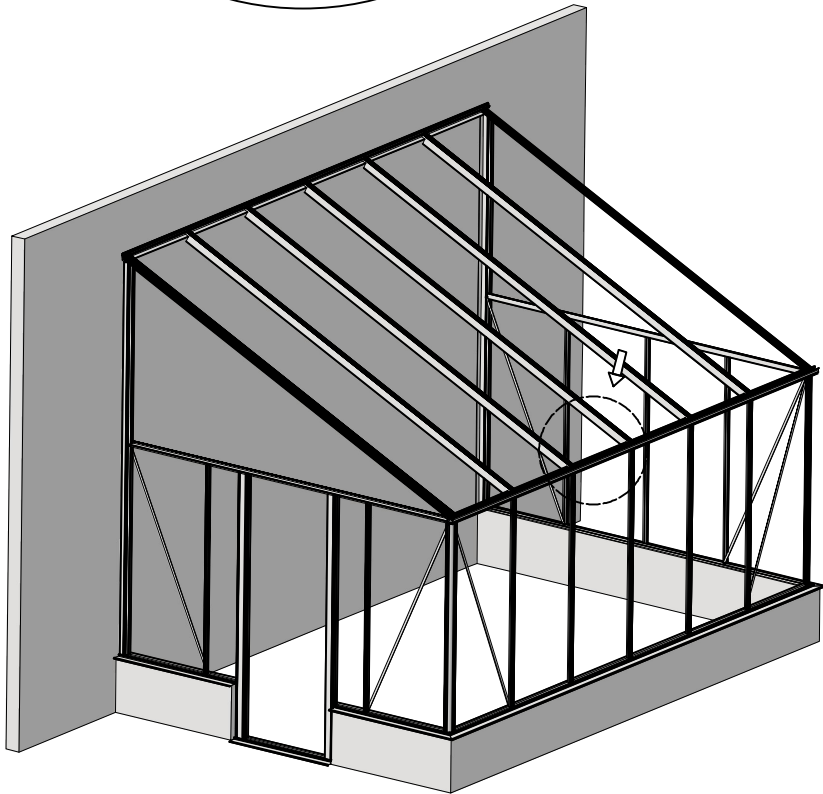
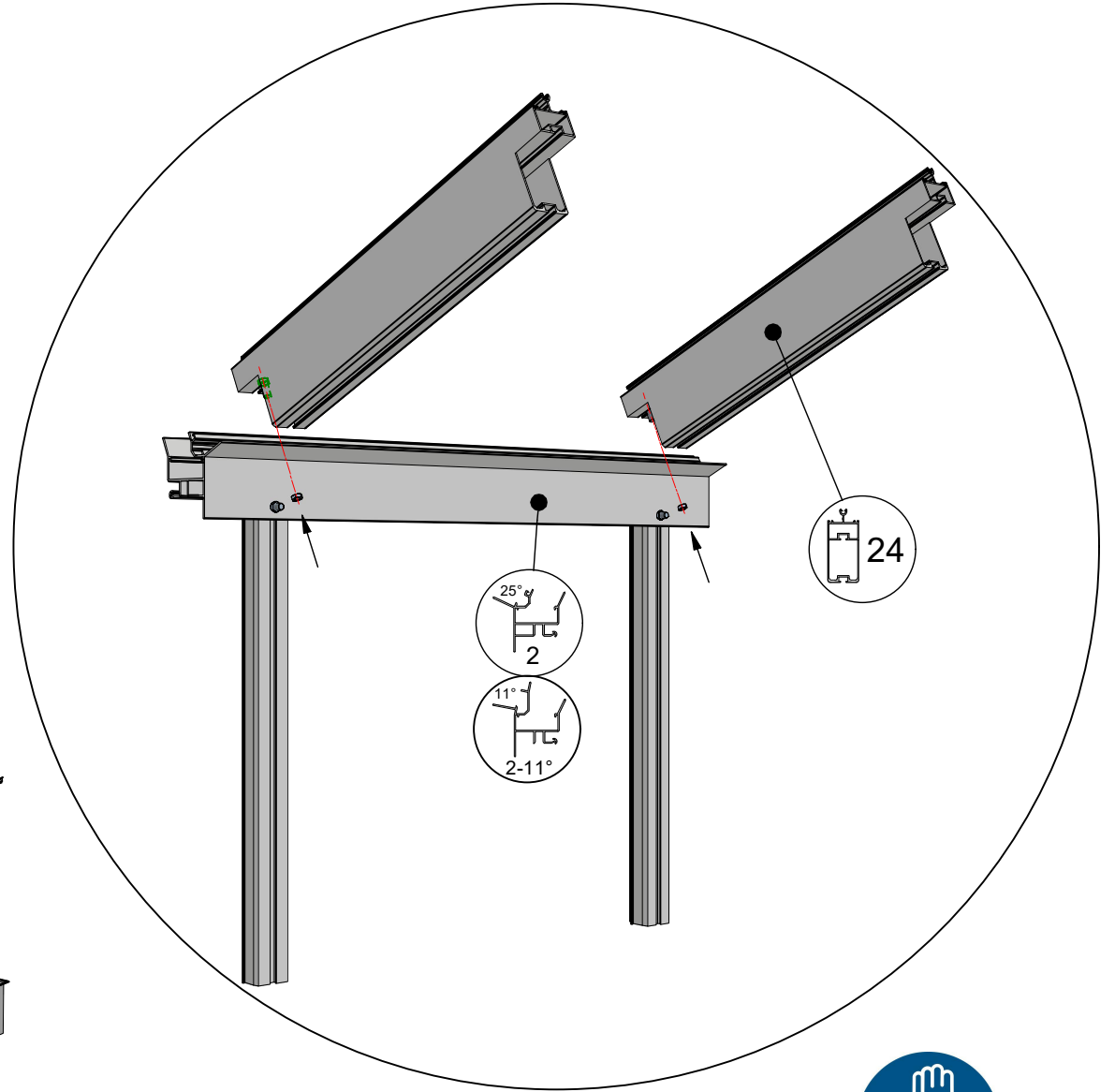
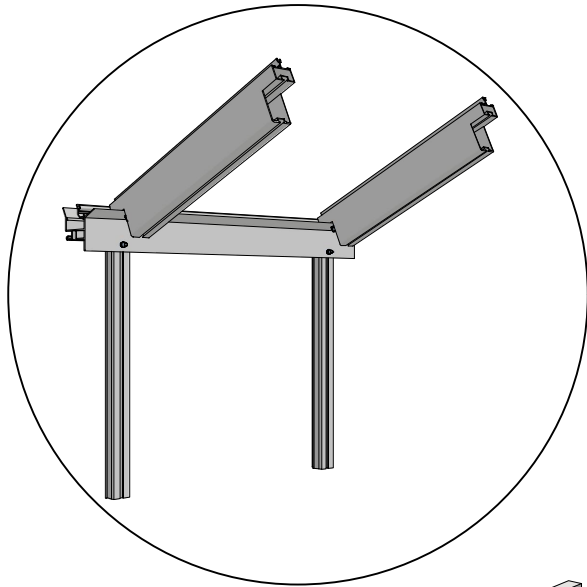


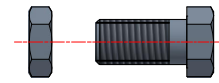
 = 4,8x16

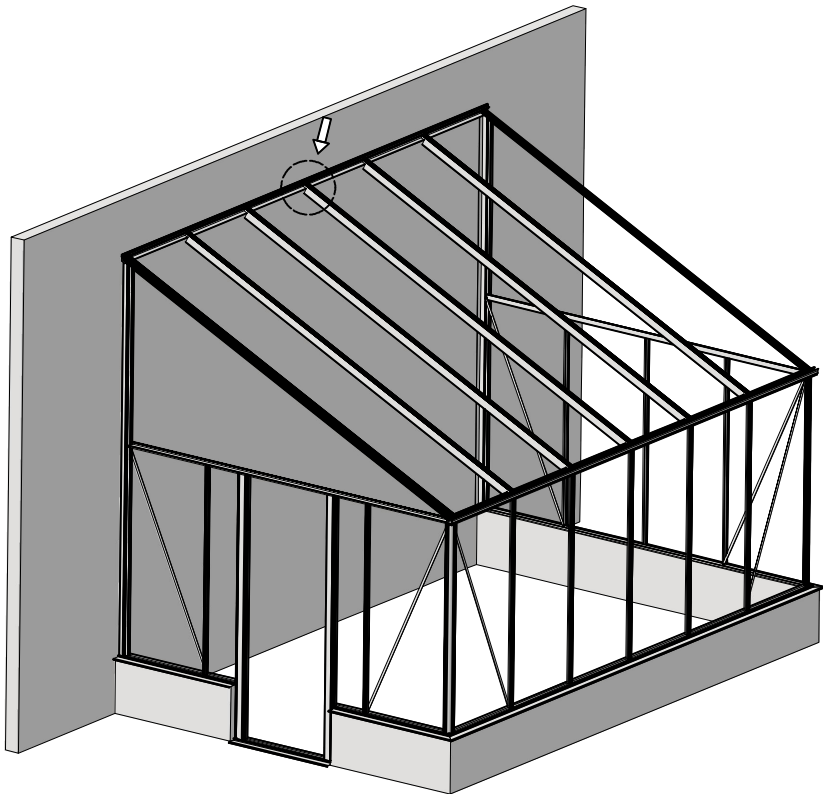
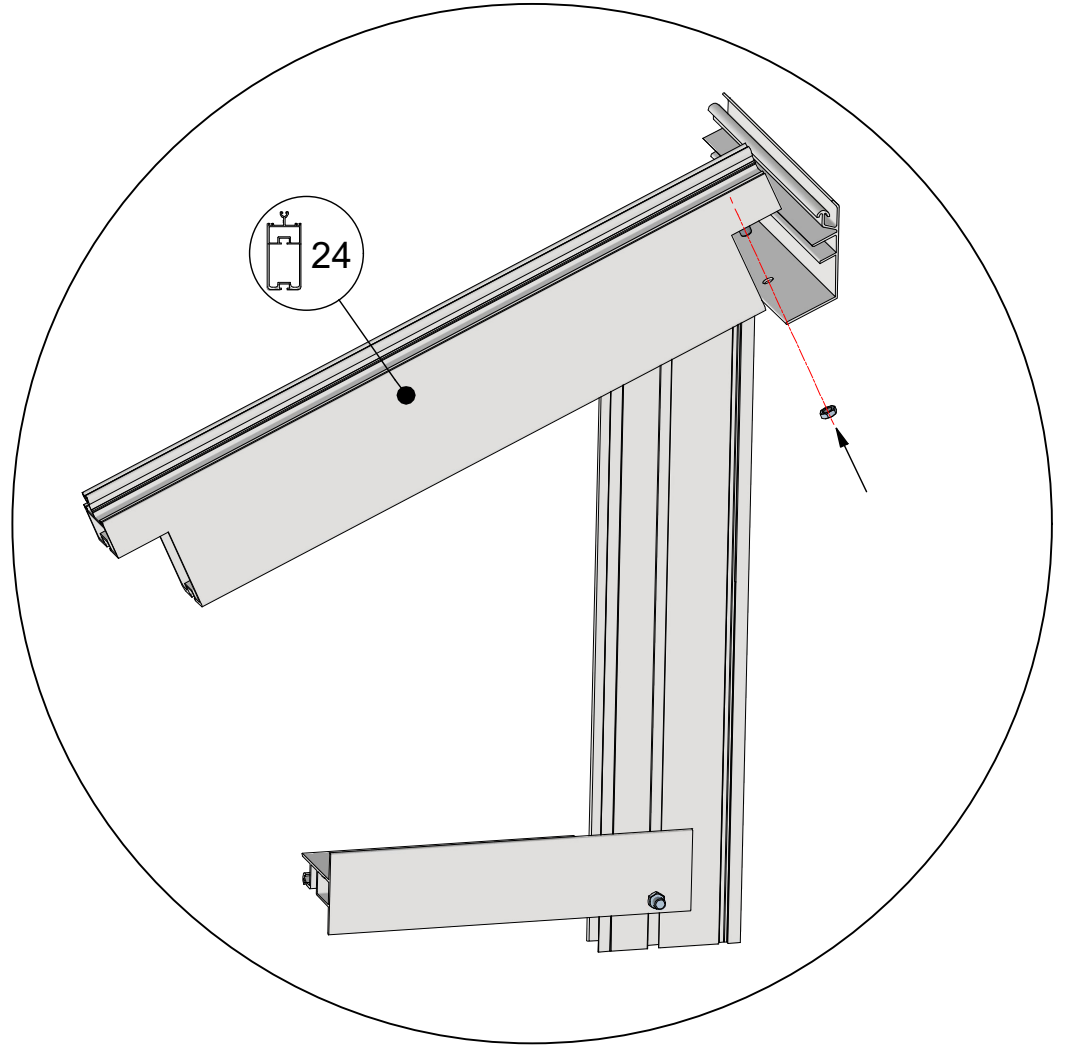
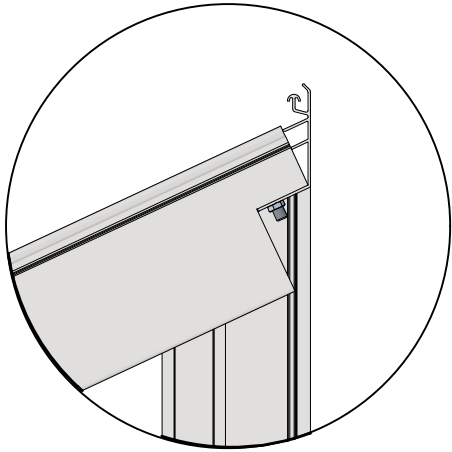
Ø = 4mm 

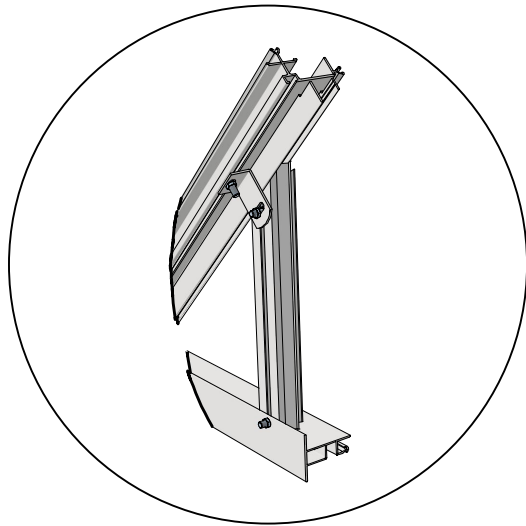



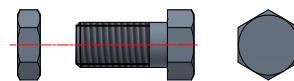
 = M6x12

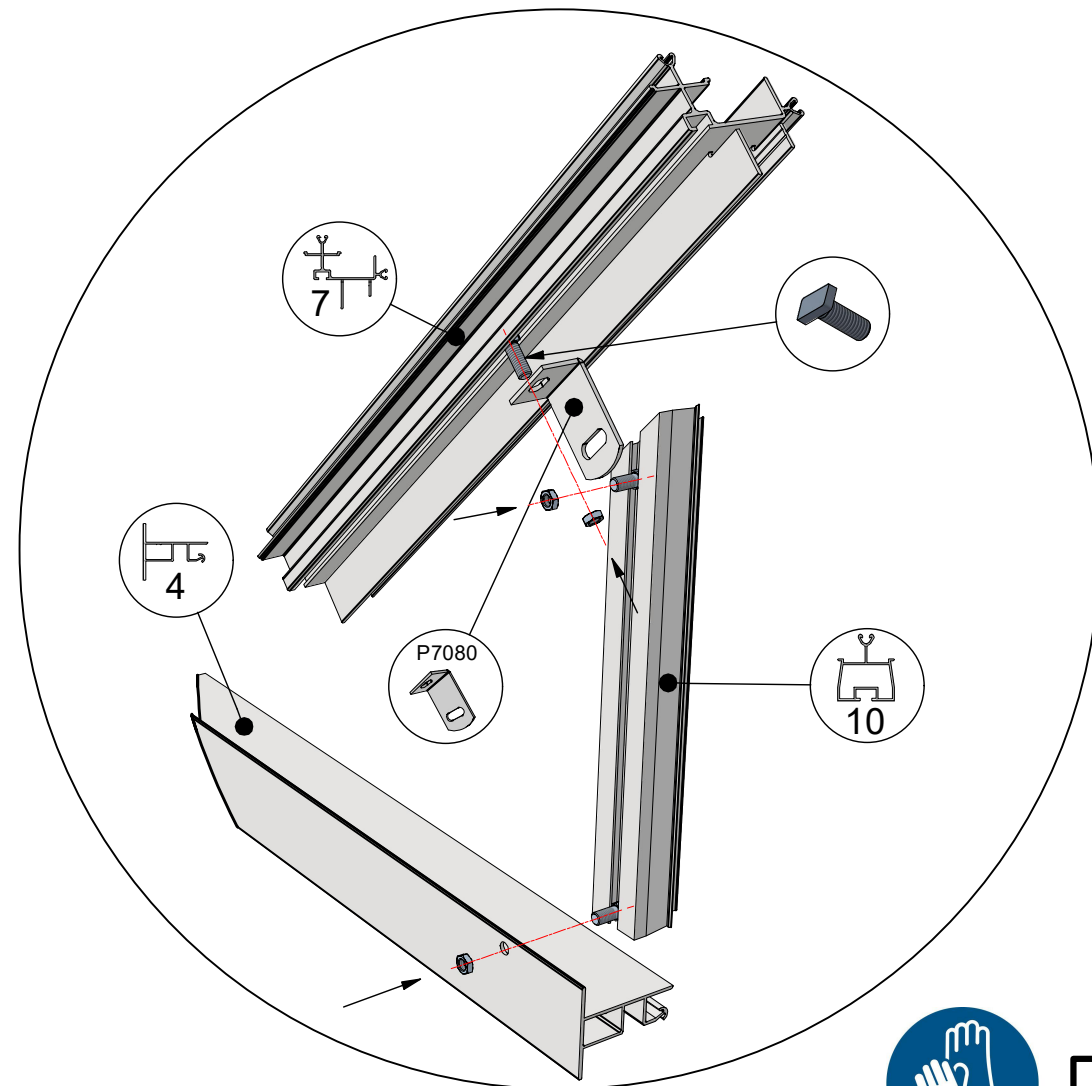
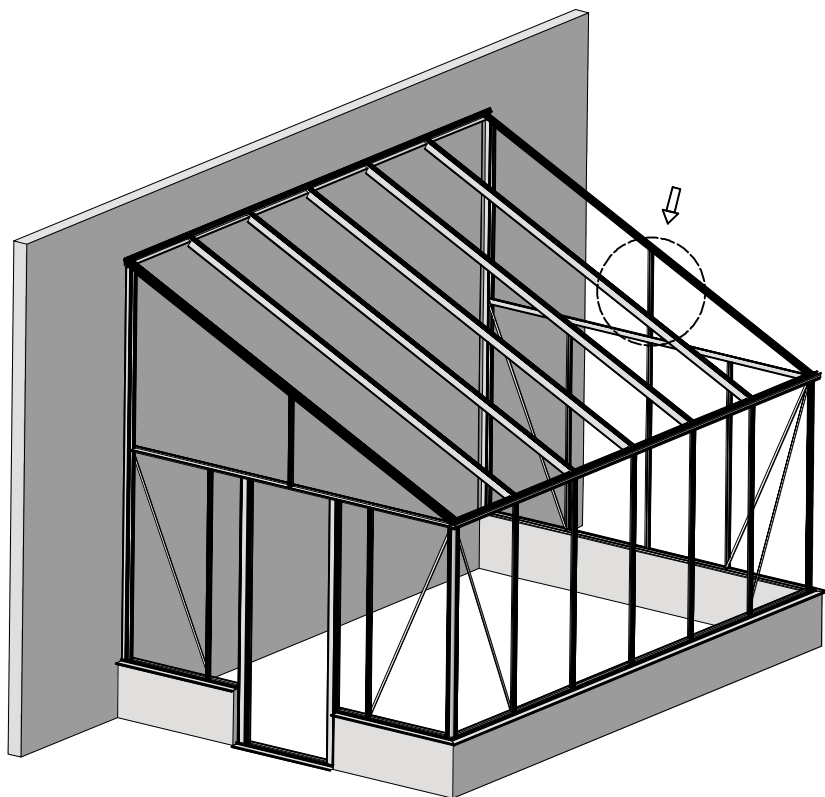


 = M6x12

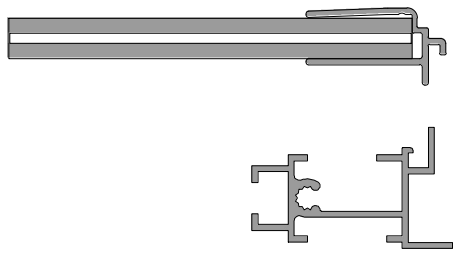




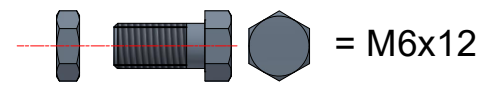
 = M6x16  
 = M6x12



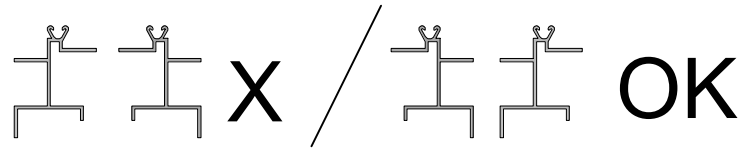
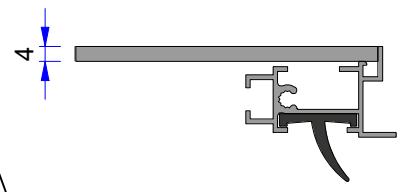
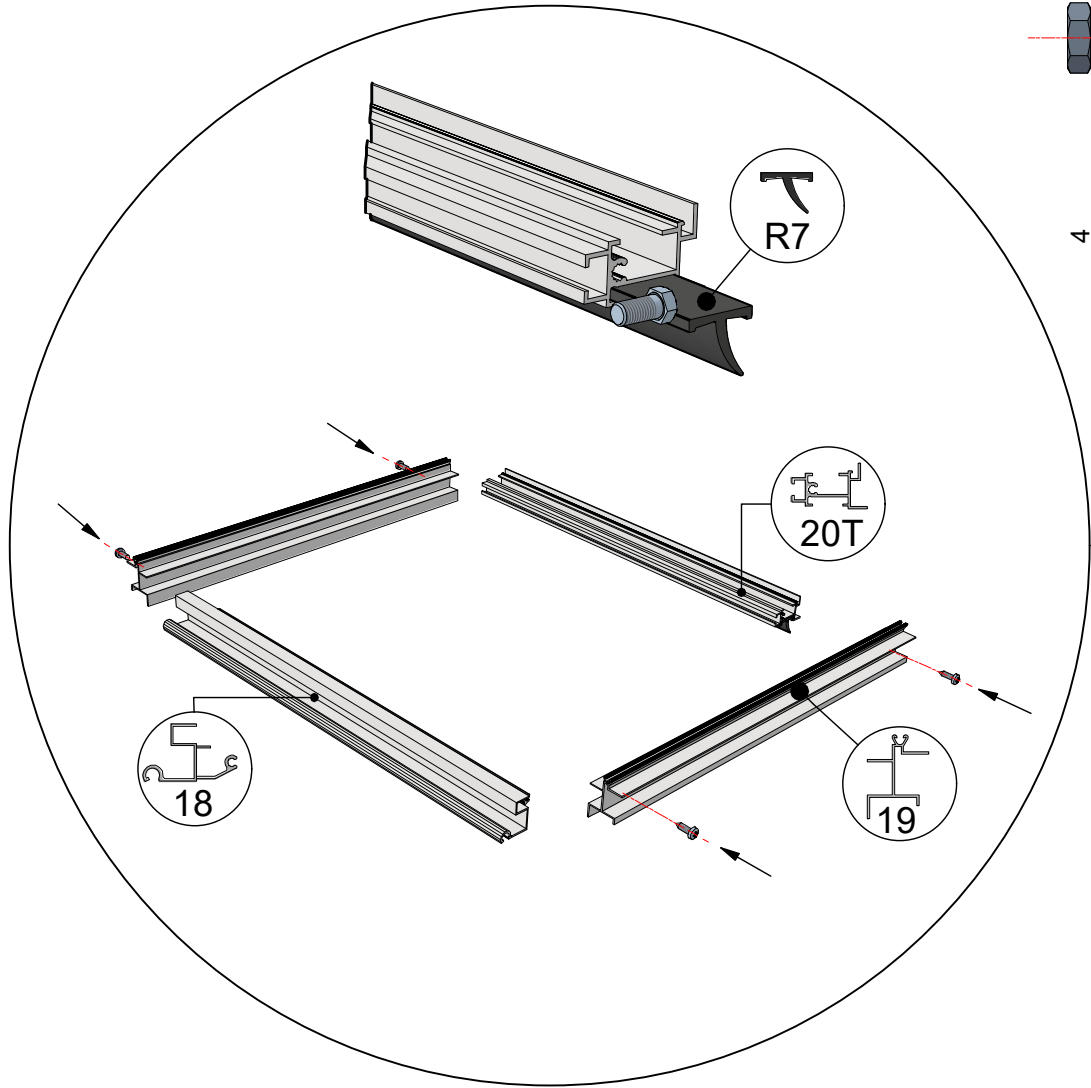
Poly

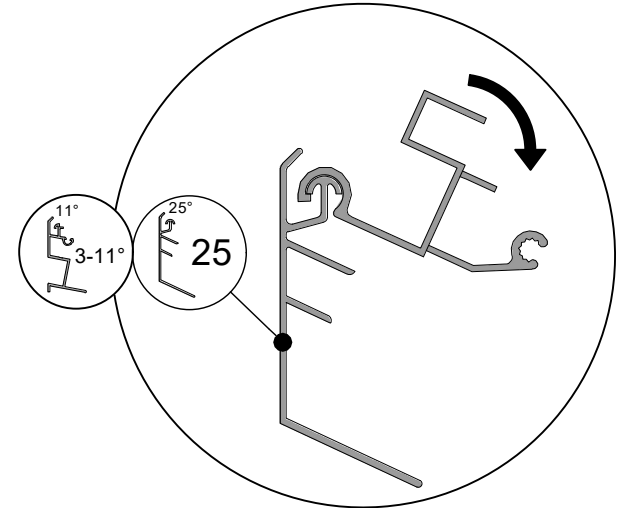
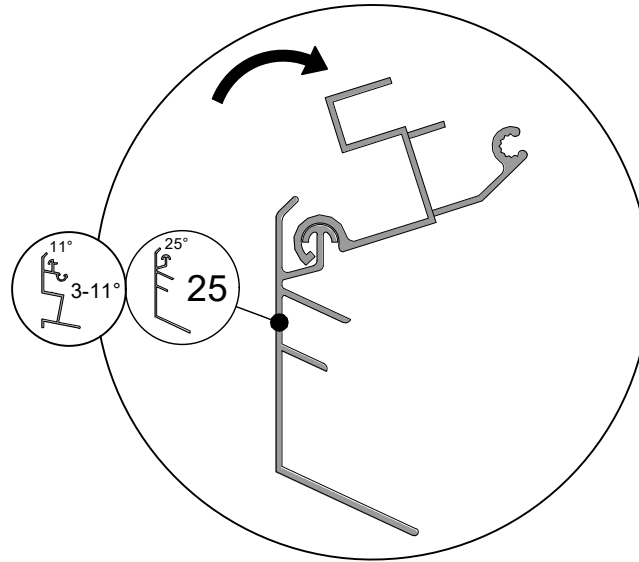
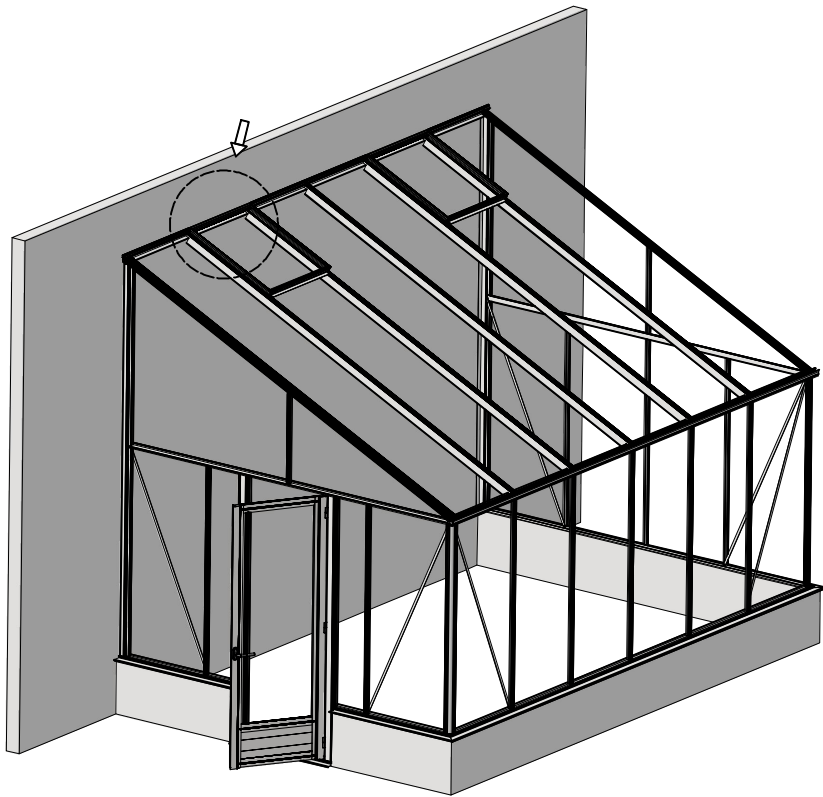



= 4,8x16

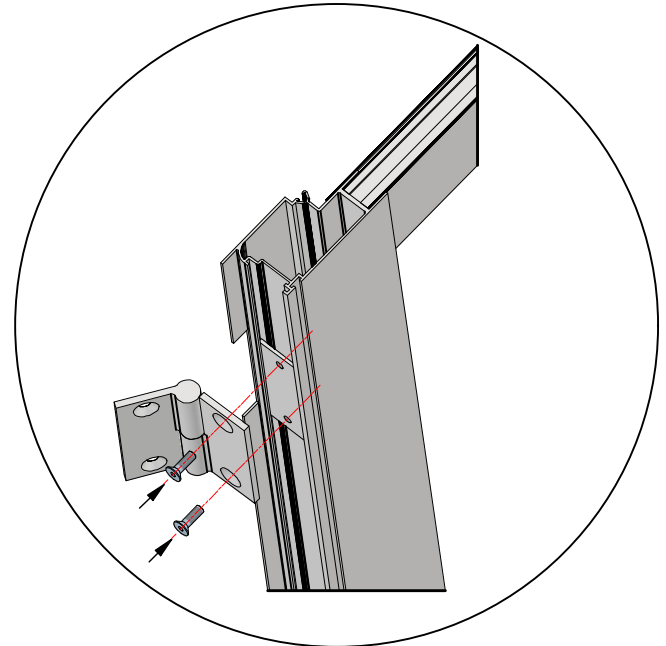
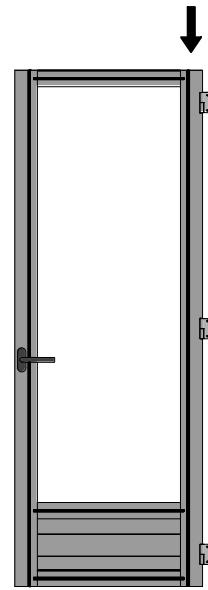
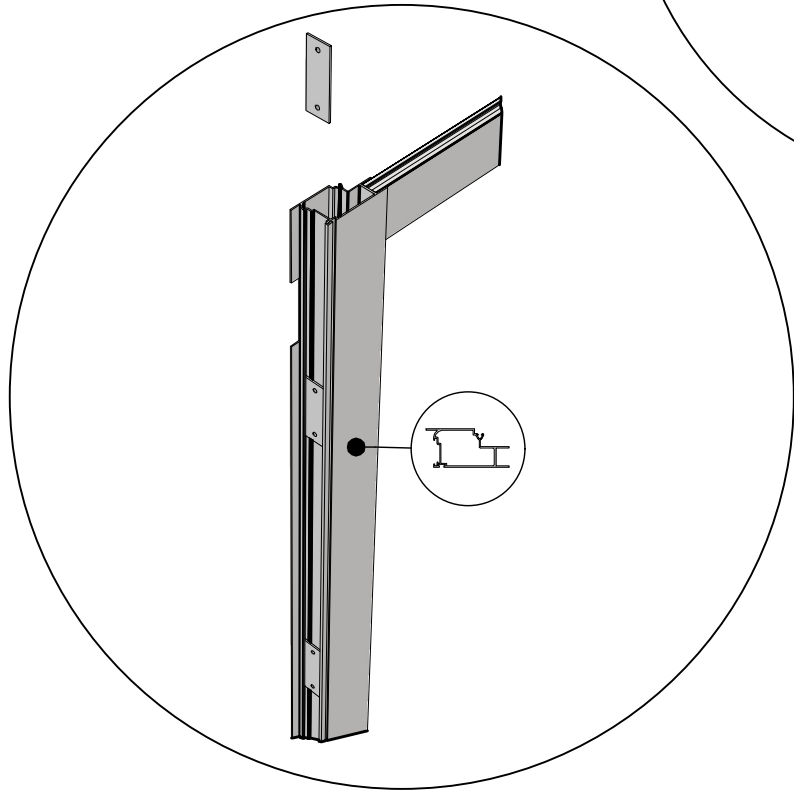
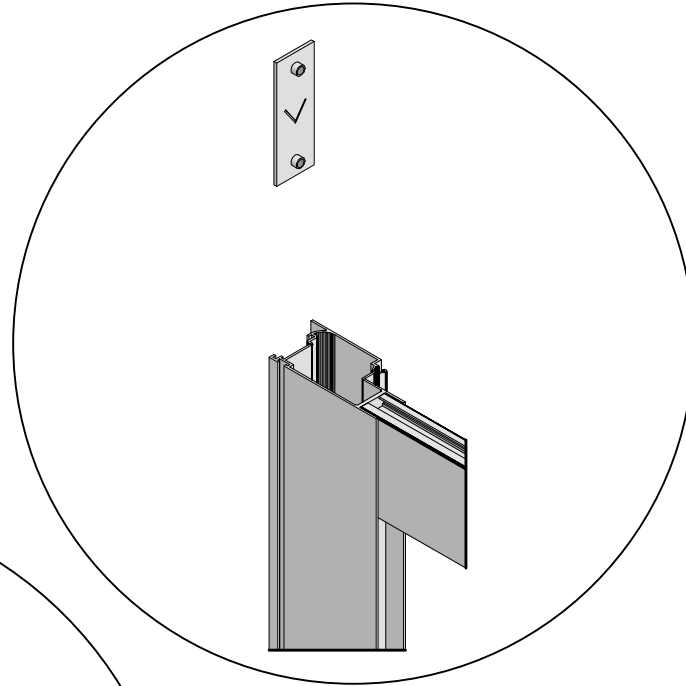


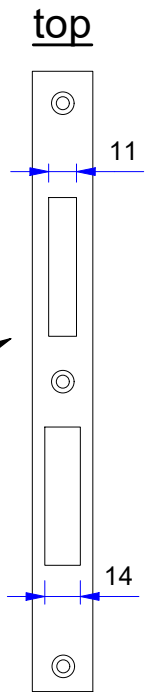
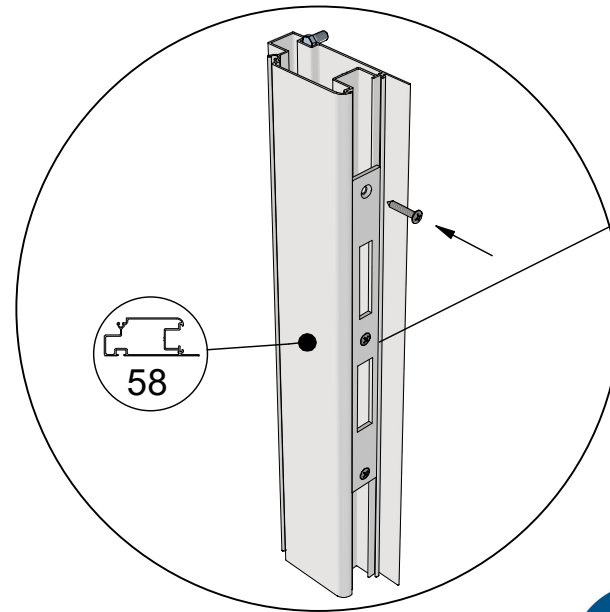
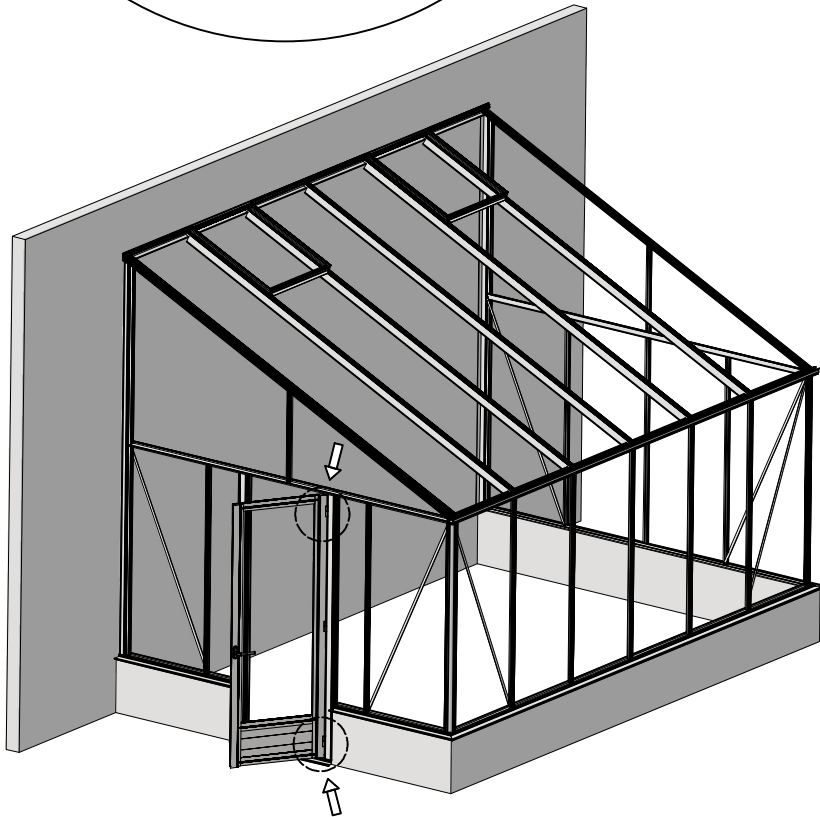
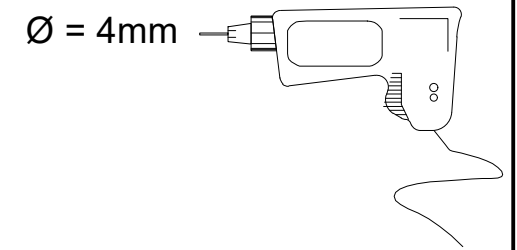
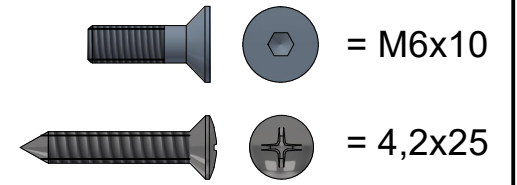
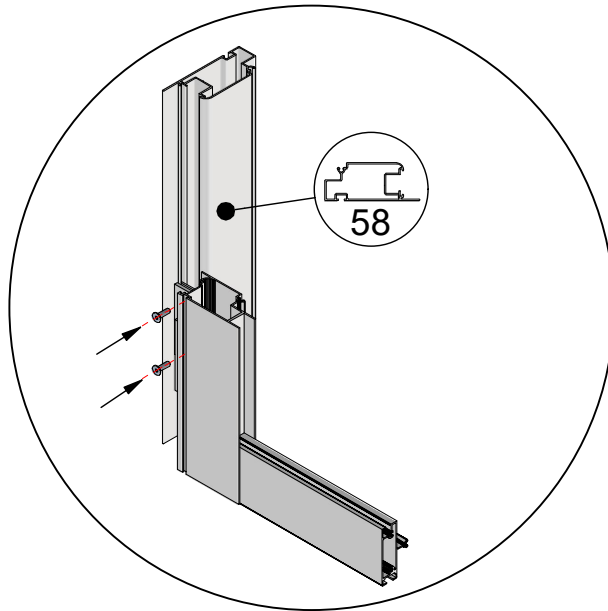
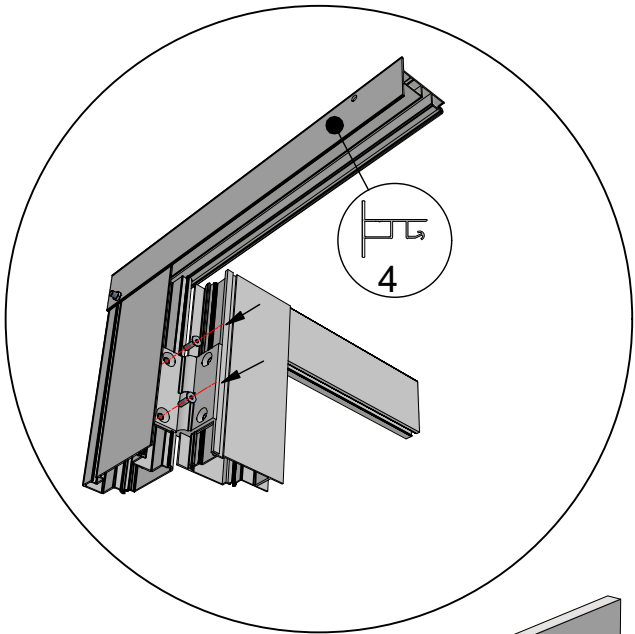
= M6x12





 = M6x10

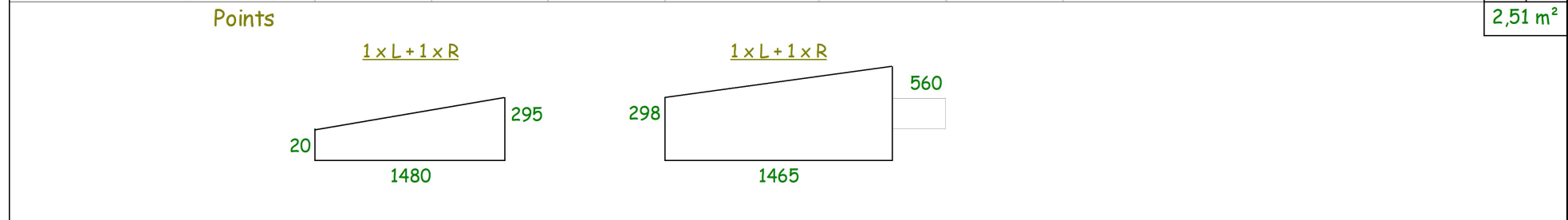






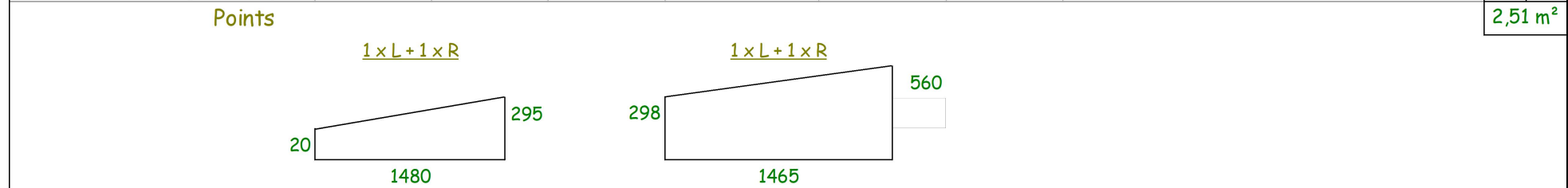
**Glass Dimensions Nv Euro-serre**      **Muurserre on wall**    3,07m    11°    **GlassH: 1650**      **Wall H : 430**

Glass Size 730mm	Sides			Size Lenght x Wide			Roof	Size Lenght x Wide			m²	m²
	1650 x 730	1650 x 290	1615 x 730				3073 x 730	2233 x 730	825 x 730			
Muurserre on wall 3,07m x 3,09m	10	2	1				3	1	1	14,2	9,0	
Muurserre on wall 3,07m x 3,80m	11	2	1				3	2	2	15,4	11,2	
Muurserre on wall 3,07m x 4,57m	12	2	1				4	2	2	16,6	13,4	
Muurserre on wall 3,07m x 5,30m	13	2	1				4	3	3	17,8	15,7	
Muurserre on wall 3,07m x 6,04m	14	2	1				5	3	3	19,0	17,9	
Muurserre on wall 3,07m x 6,77m	15	2	1				6	3	3	20,2	20,2	
Muurserre on wall 3,07m x 7,53m	16	2	1				6	4	4	21,4	22,4	
Muurserre on wall 3,07m x 8,30m	17	2	1				7	4	4	22,6	24,6	



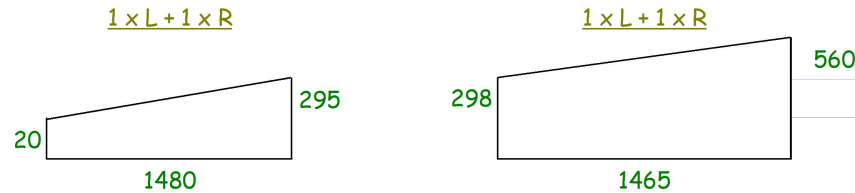
**Glass Dimensions Nv Euro-serre**      **Muurserre on wall**    3,07m    11°    **GlassH: 1450**      **Wall H : 630**

Glass Size 730mm	Sides			Size Lenght x Wide			Roof	Size Lenght x Wide			m²	m²
	1450 x 730	1450 x 290	1350 x 620				3073 x 730	2233 x 730	825 x 730			
Muurserre on wall 3,07m x 3,09m	10	2	1				3	1	1	12,3	9,0	
Muurserre on wall 3,07m x 3,80m	11	2	1				3	2	2	13,3	11,2	
Muurserre on wall 3,07m x 4,57m	12	2	1				4	2	2	14,4	13,4	
Muurserre on wall 3,07m x 5,30m	13	2	1				4	3	3	15,4	15,7	
Muurserre on wall 3,07m x 6,04m	14	2	1				5	3	3	16,5	17,9	
Muurserre on wall 3,07m x 6,77m	15	2	1				6	3	3	17,6	20,2	
Muurserre on wall 3,07m x 7,53m	16	2	1				6	4	4	18,6	22,4	
Muurserre on wall 3,07m x 8,30m	17	2	1				7	4	4	19,7	24,6	



Glass Dimensions Nv Euro-serre		Muurserre on wall 3,07m 11° GlassH: 1250			Wall H : 830				
Glass Size 730mm	Sides		Size Lenght x Wide	Roof	Size Lenght x Wide				
	1250 x 730	1250 x 290	1175 x 620		3073 x 730	2233 x 730	825 x 730	m <sup>2</sup>	m <sup>2</sup>
Muurserre on wall 3,07m x 3,09m	10	2	1		3	1	1	10,6	9,0
Muurserre on wall 3,07m x 3,80m	11	2	1		3	2	2	11,5	11,2
Muurserre on wall 3,07m x 4,57m	12	2	1		4	2	2	12,4	13,4
Muurserre on wall 3,07m x 5,30m	13	2	1		4	3	3	13,3	15,7
Muurserre on wall 3,07m x 6,04m	14	2	1		5	3	3	14,2	17,9
Muurserre on wall 3,07m x 6,77m	15	2	1		6	3	3	15,1	20,2
Muurserre on wall 3,07m x 7,53m	16	2	1		6	4	4	16,1	22,4
Muurserre on wall 3,07m x 8,30m	17	2	1		7	4	4	17,0	24,6

Points

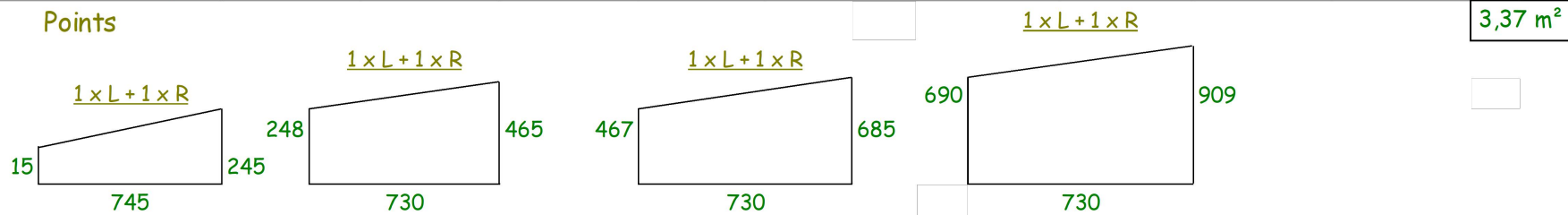


2,51 m<sup>2</sup>

Opgemaakt op 27-10-2022

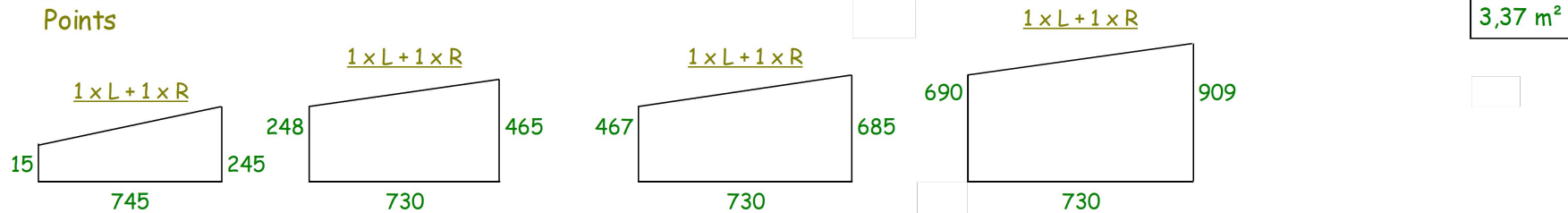
Glass Dimensions Nv Euro-serre		Aurserre on wa 3,07m 25°					GlassH: 1650		Wall H : 430			
Glass Size 730mm		Sides		Size Lenght x Wide		Roof		Size Lenght x Wide		Poly		
		1650 x 730	1650 x 290	1615 x 620	860 x 730	2308 x 730		825 x 730	3148 x 730	2308 x 730	m <sup>2</sup>	m <sup>2</sup>
Muurserre on wall	3,07m x 3,09m	10	2	1	3	4		1 or 1	3	1	14,0	9,2
Muurserre on wall	3,07m x 3,80m	11	2	1	3	5		2 or 2	3	2	15,2	11,5
Muurserre on wall	3,07m x 4,57m	12	2	1	4	6		2 or 2	4	2	16,4	13,8
Muurserre on wall	3,07m x 5,30m	13	2	1	4	7		3 or 3	4	3	17,6	16,1
Muurserre on wall	3,07m x 6,04m	14	2	1	5	8		3 or 3	5	3	18,8	18,4
Muurserre on wall	3,07m x 6,77m	15	2	1	6	9		3 or 3	6	3	20,0	20,7
Muurserre on wall	3,07m x 7,53m	16	2	1	6	10		4 or 4	6	4	21,2	23,0
Muurserre on wall	3,07m x 8,30m	17	2	1	7	11		4 or 4	7	4	22,4	25,3

Points



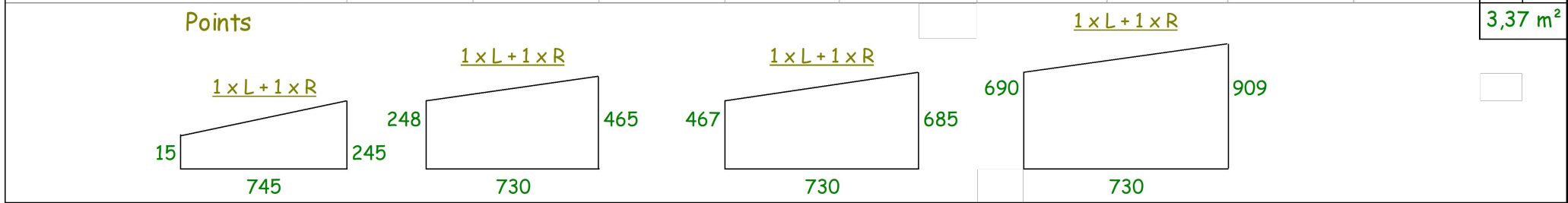
Glass Dimensions Nv Euro-serre		Aurserre on wa 3,07m 25°					GlassH: 1450		Wall H : 630			
Glass Size 730mm		Sides		Size Lenght x Wide		Roof		Size Lenght x Wide		Poly		
		1450 x 730	1450 x 290	1350 x 620	860 x 730	2308 x 730		825 x 730	3148 x 730	2308 x 730	m <sup>2</sup>	m <sup>2</sup>
Muurserre on wall	3,07m x 3,09m	10	2	1	3	4		1 or 1	3	1	12,3	9,2
Muurserre on wall	3,07m x 3,80m	11	2	1	3	5		2 or 2	3	2	13,3	11,5
Muurserre on wall	3,07m x 4,57m	12	2	1	4	6		2 or 2	4	2	14,4	13,8
Muurserre on wall	3,07m x 5,30m	13	2	1	4	7		3 or 3	4	3	15,4	16,1
Muurserre on wall	3,07m x 6,04m	14	2	1	5	8		3 or 3	5	3	16,5	18,4
Muurserre on wall	3,07m x 6,77m	15	2	1	6	9		3 or 3	6	3	17,6	20,7
Muurserre on wall	3,07m x 7,53m	16	2	1	6	10		4 or 4	6	4	18,6	23,0
Muurserre on wall	3,07m x 8,30m	17	2	1	7	11		4 or 4	7	4	19,7	25,3

Points

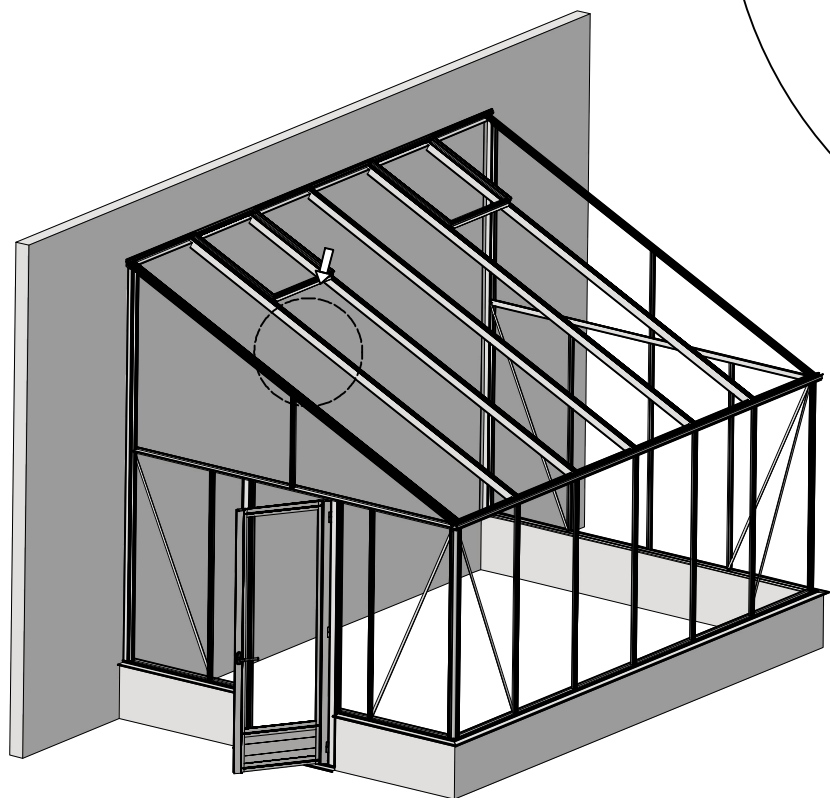
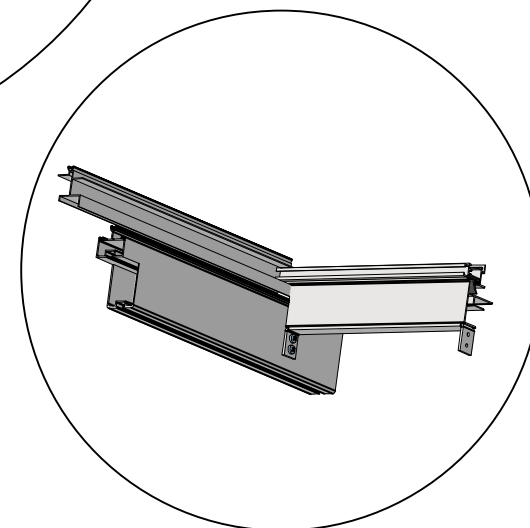
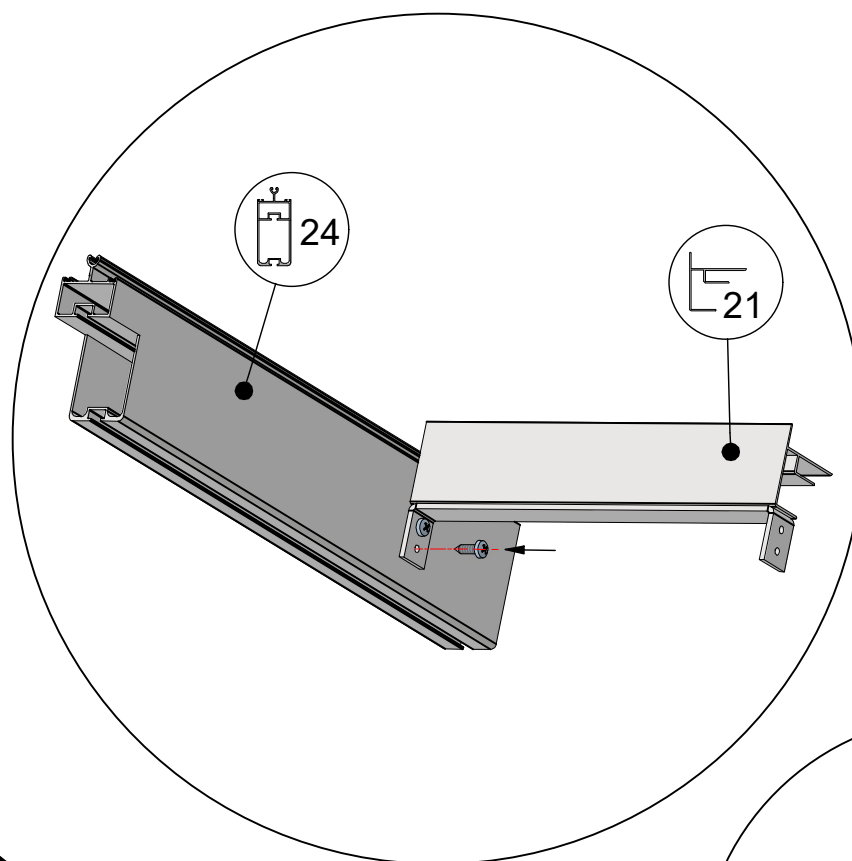
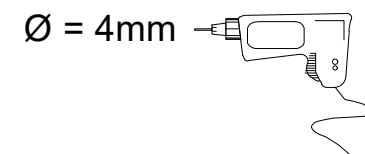
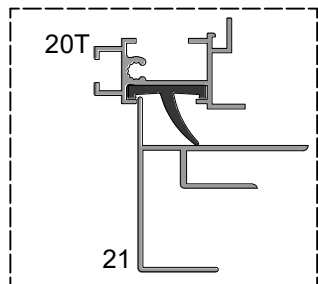


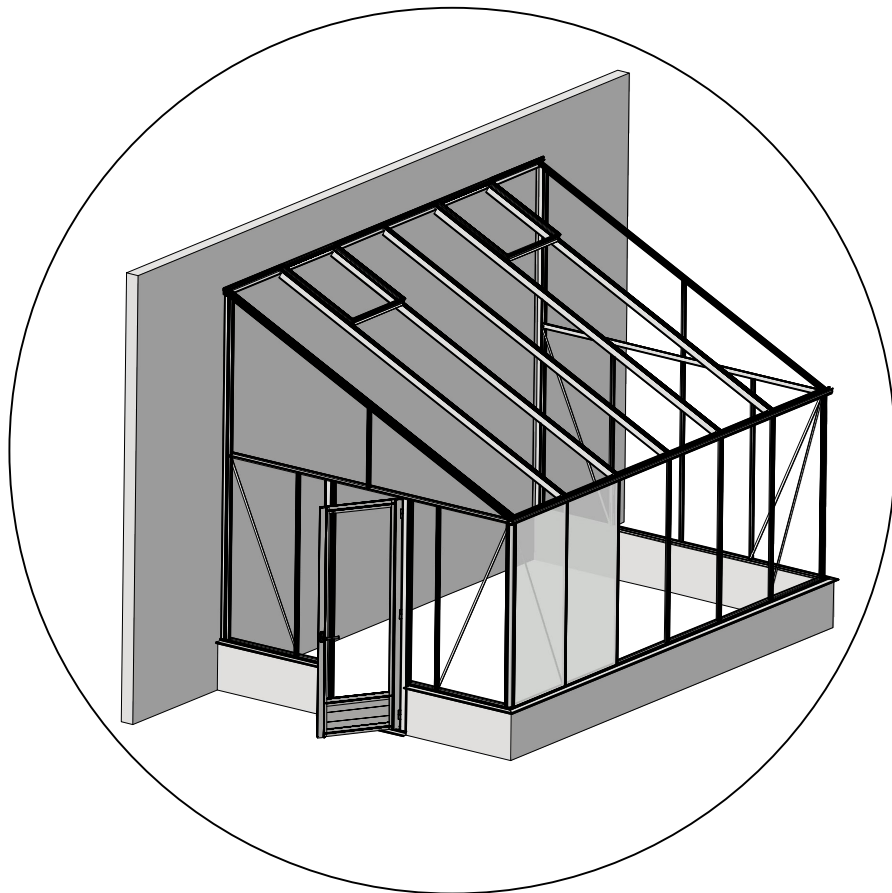
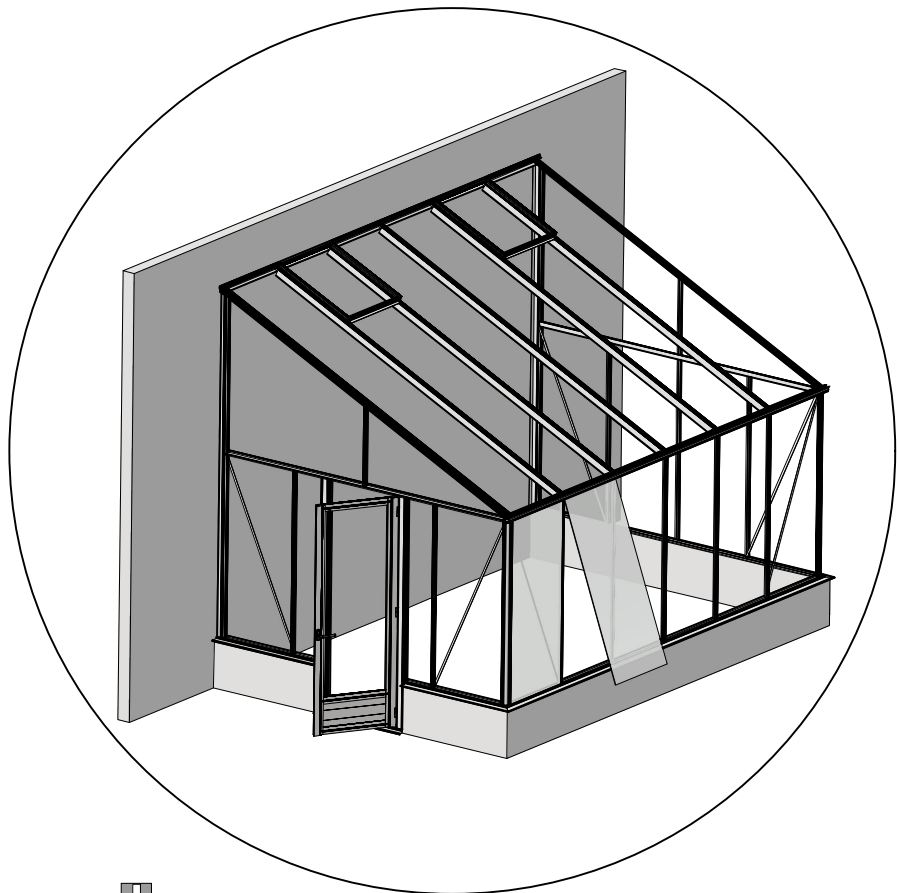
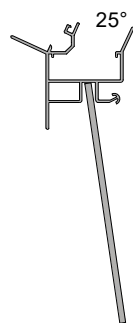
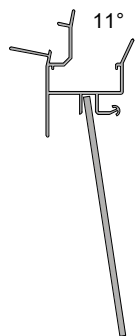
**Glass Dimensions Nv Euro-serre**      **luurserre on wa 3,07m 25° GlassH: 1250**      **Wall H : 830**

Glass Size 730mm	Sides	Size Lenght x Wide			Roof		Size Lenght x Wide			m <sup>2</sup>	m <sup>2</sup>
		1250 x 730	1250 x 290	1175 x 620	860 x 730	2308 x 730	825 x 730	3148 x 730	2308 x 730		
Muurserre on wall 3,07m x 3,09m	10	2	1	3	4	1 or 1	3	1	10,6	9,2	
Muurserre on wall 3,07m x 3,80m	11	2	1	3	5	2 or 2	3	2	11,5	11,5	
Muurserre on wall 3,07m x 4,57m	12	2	1	4	6	2 or 2	4	2	12,4	13,8	
Muurserre on wall 3,07m x 5,30m	13	2	1	4	7	3 or 3	4	3	13,3	16,1	
Muurserre on wall 3,07m x 6,04m	14	2	1	5	8	3 or 3	5	3	14,2	18,4	
Muurserre on wall 3,07m x 6,77m	15	2	1	6	9	3 or 3	6	3	15,1	20,7	
Muurserre on wall 3,07m x 7,53m	16	2	1	6	10	4 or 4	6	4	16,1	23,0	
Muurserre on wall 3,07m x 8,30m	17	2	1	7	11	4 or 4	7	4	17,0	25,3	

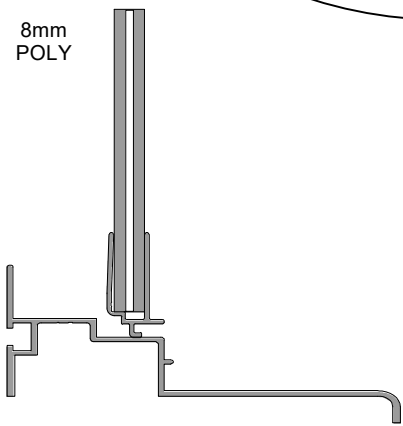


**Opgemaakt op 27-10-2022**

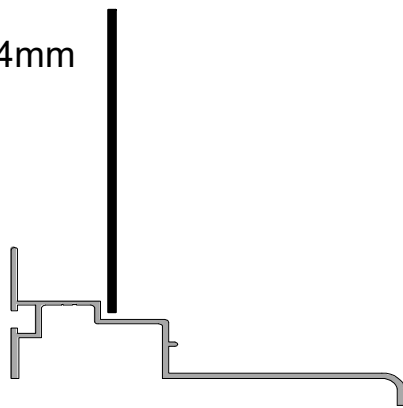




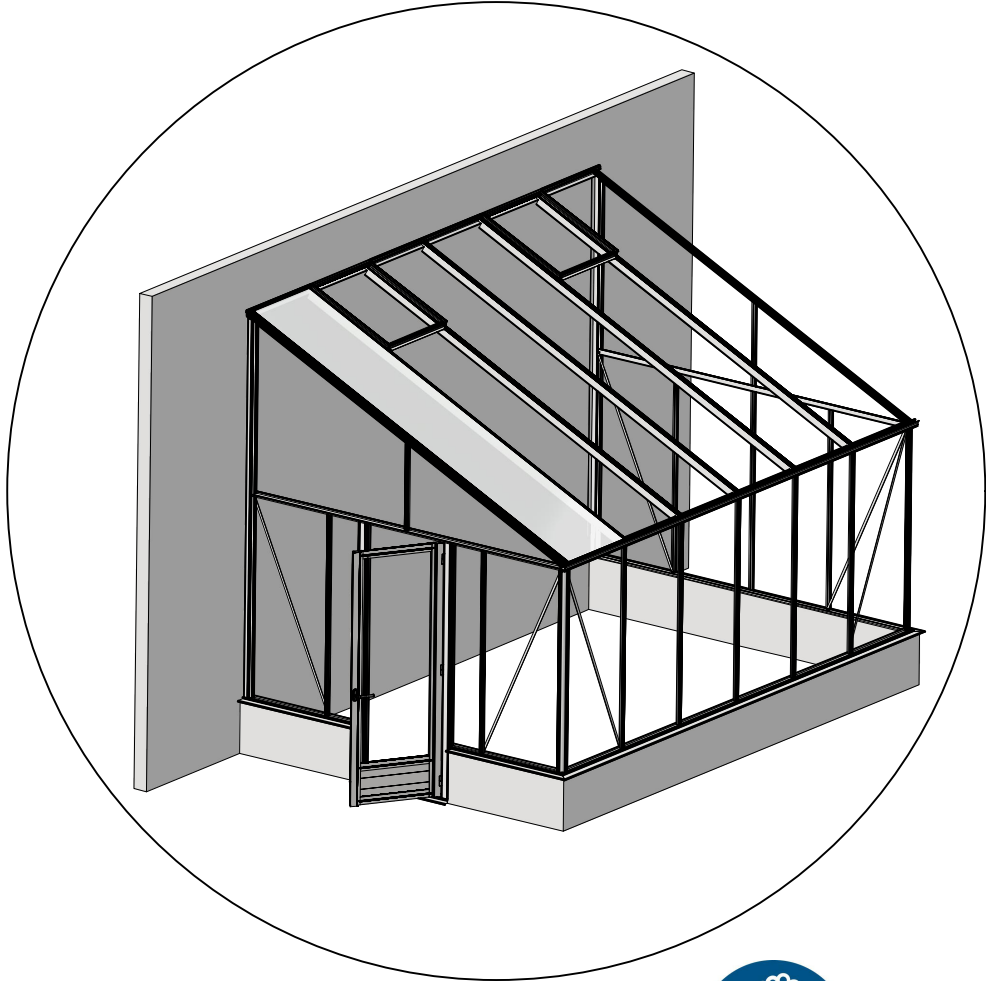
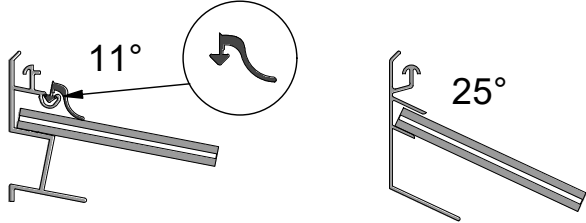
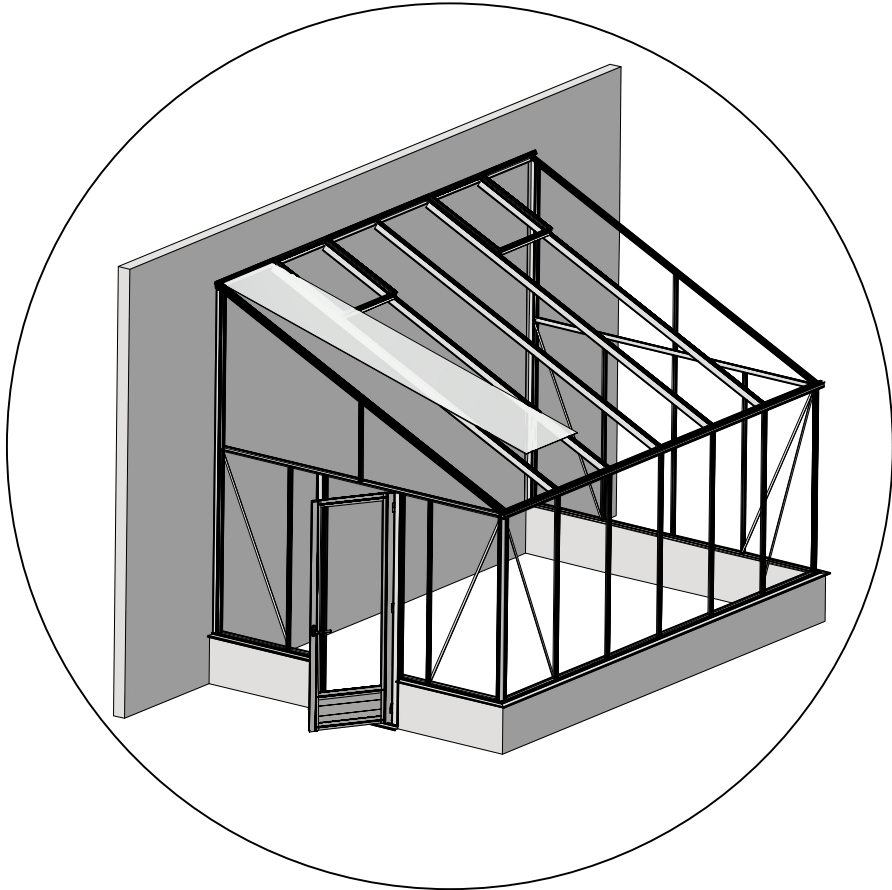
8mm  
POLY



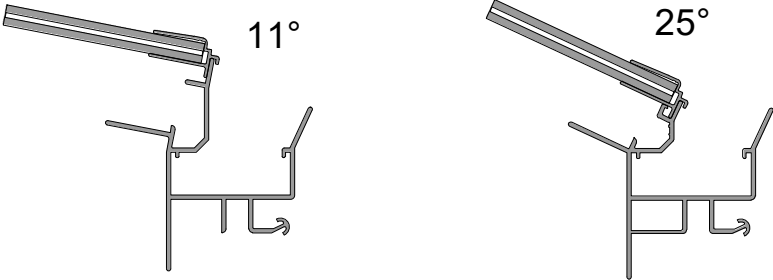
4mm





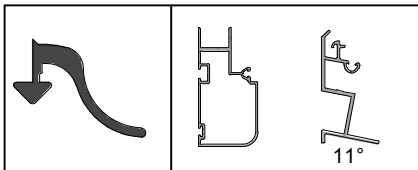
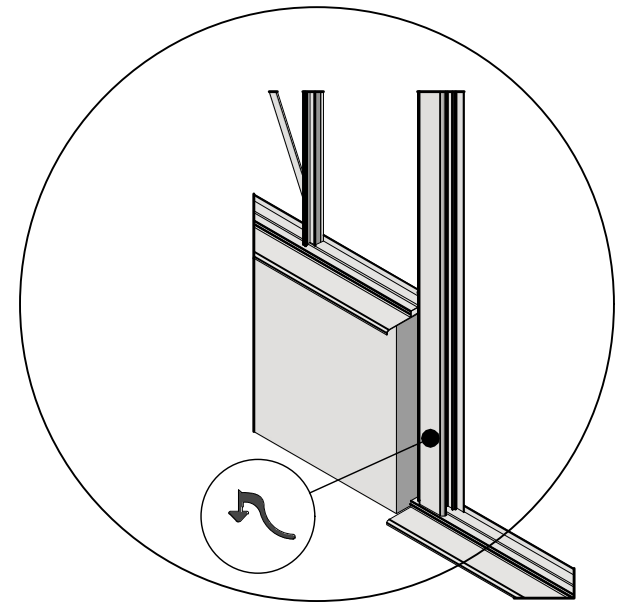
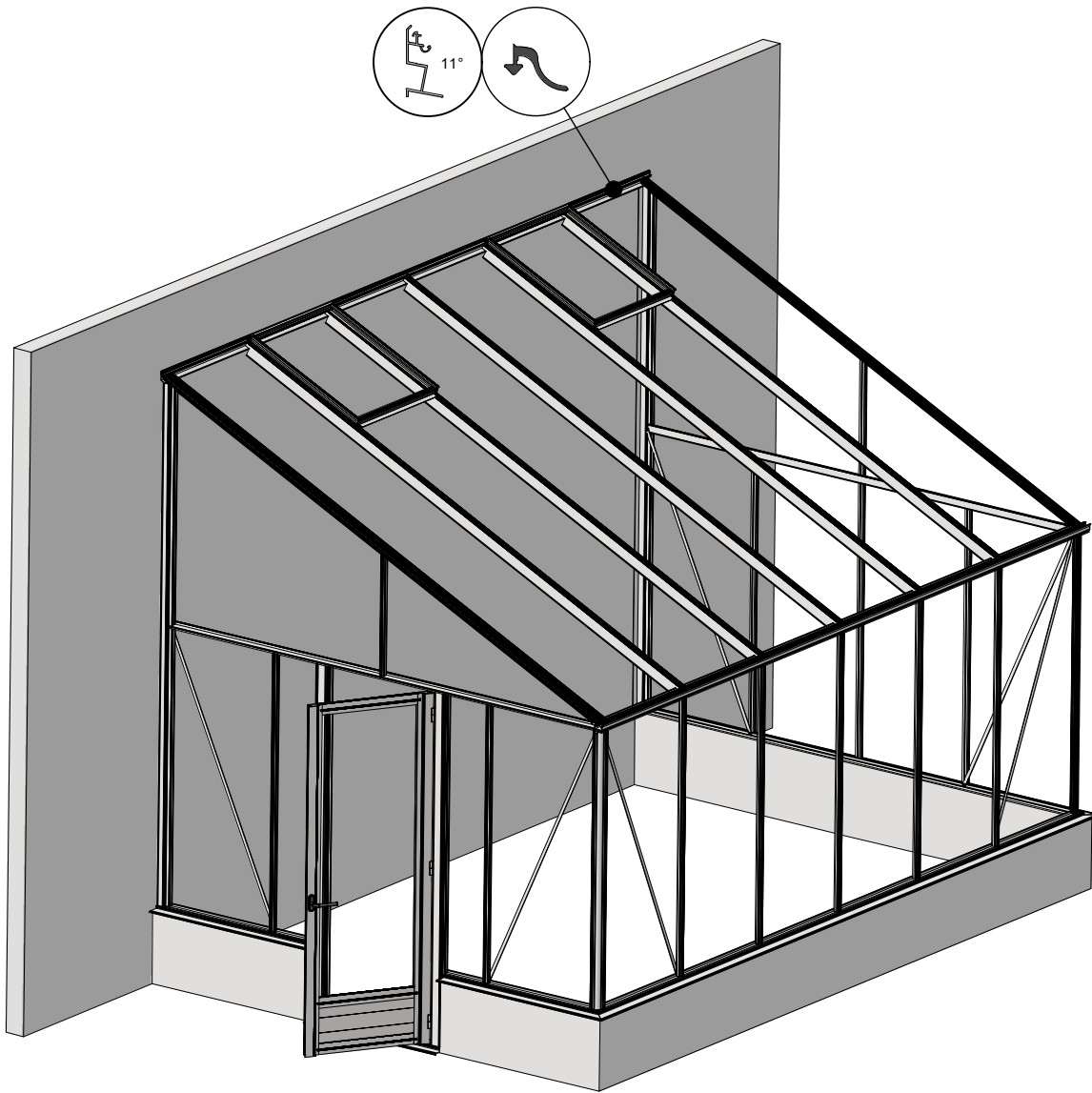


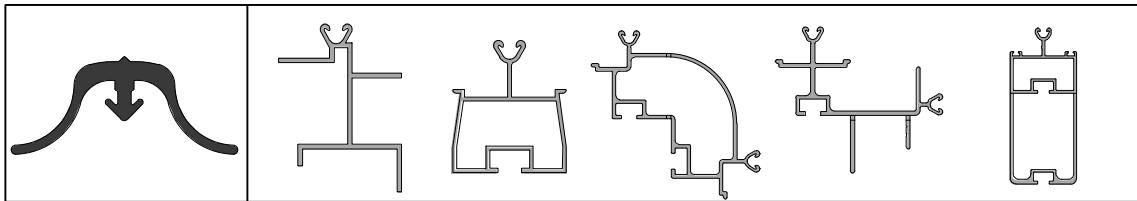
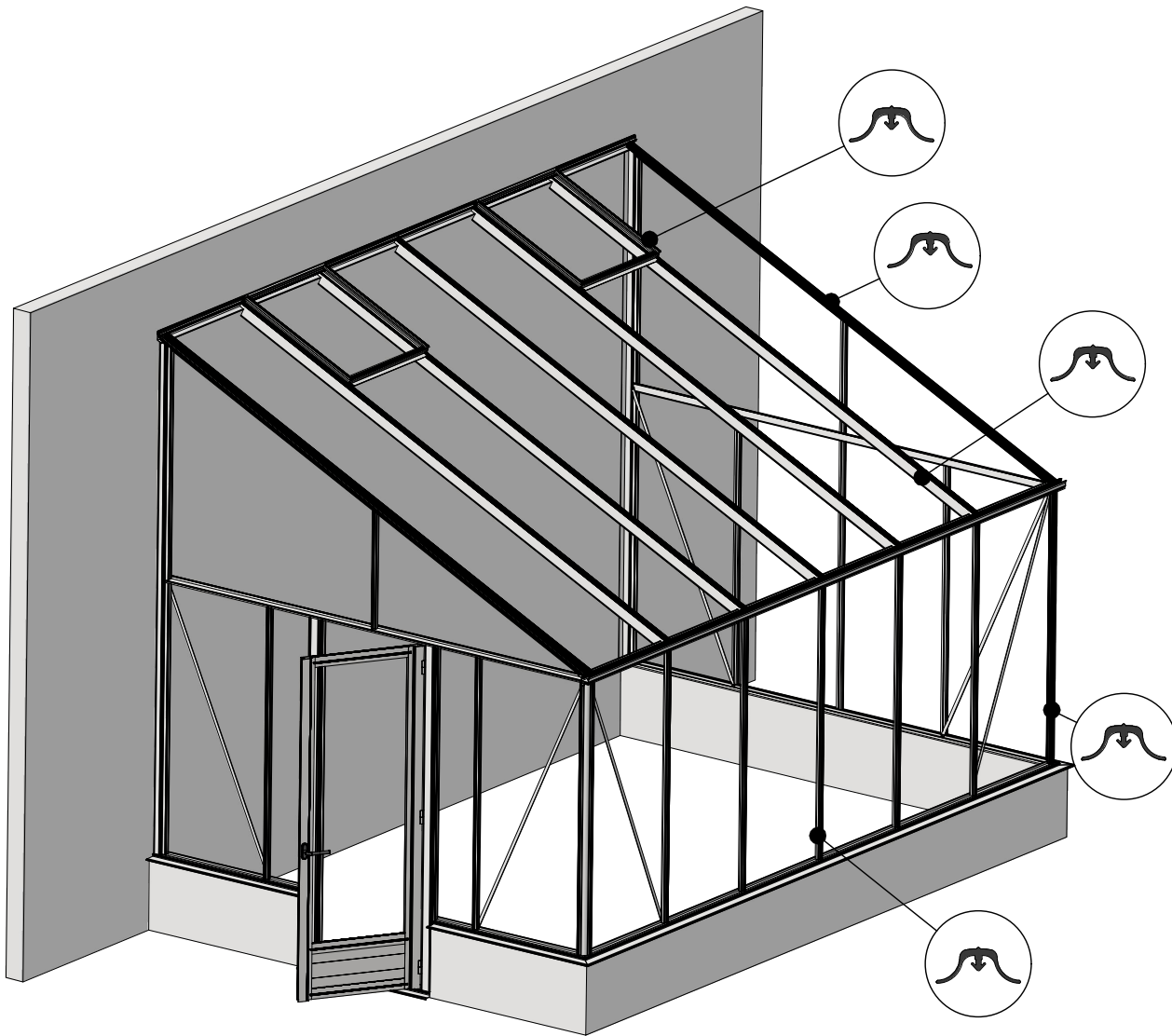
POLY



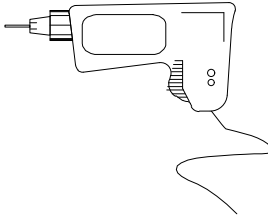


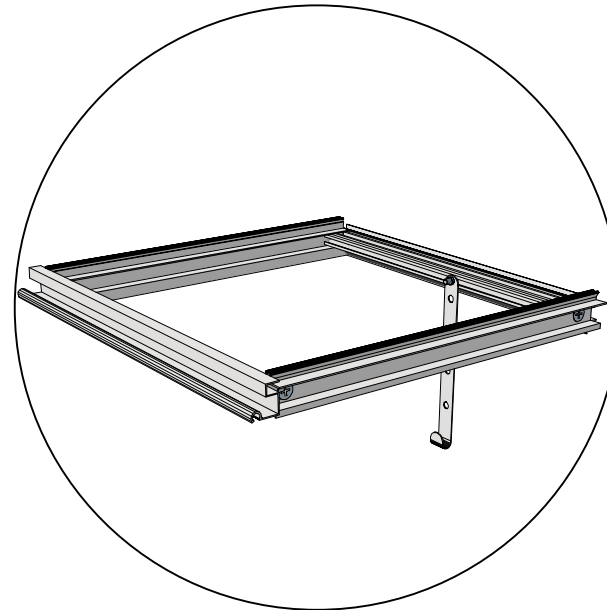
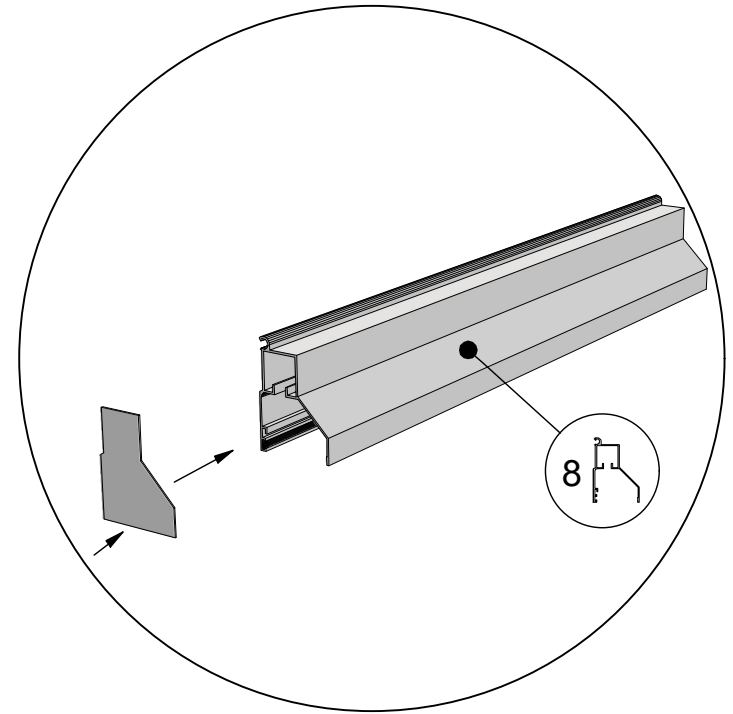
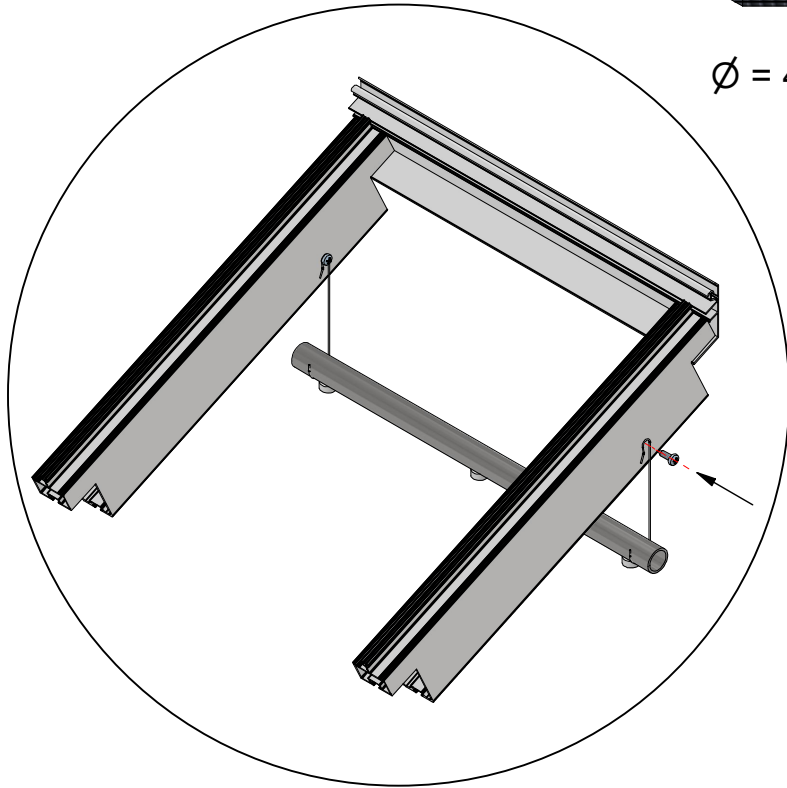


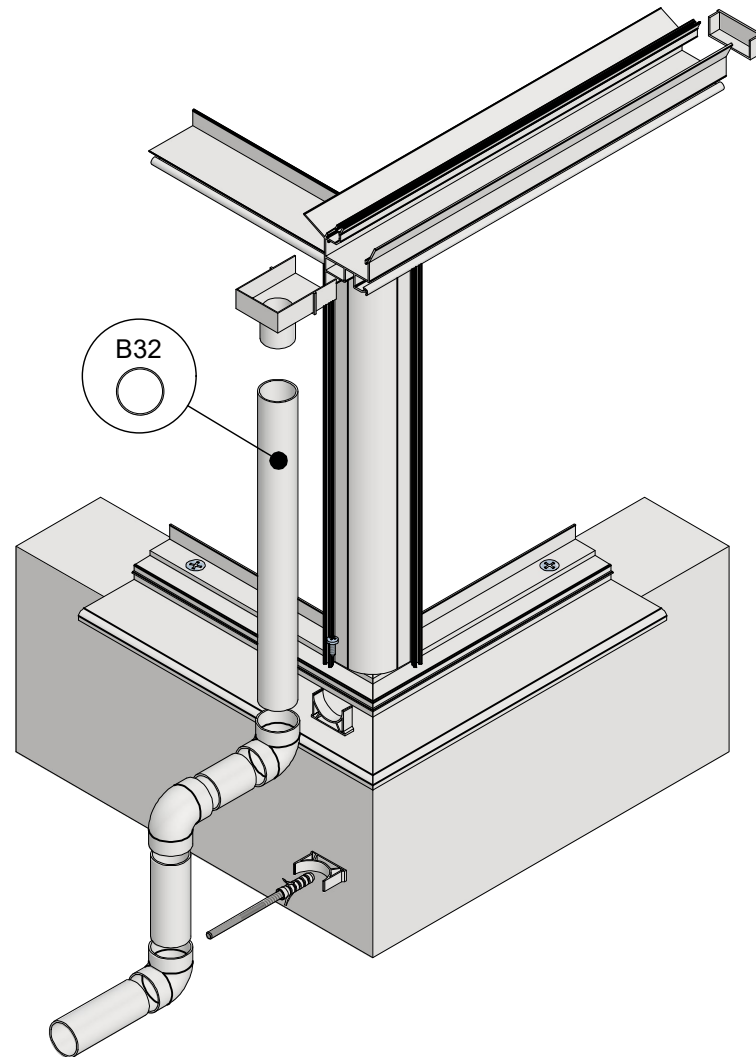
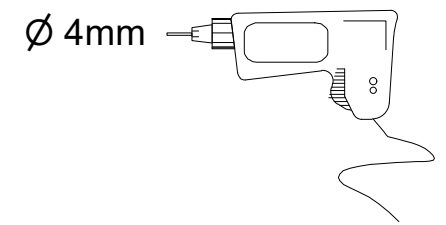
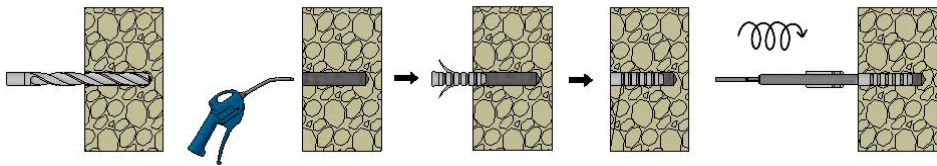




 = 4,8x16

$\varnothing = 4\text{mm}$  





40



**Geleenlaan 1 - 3600 Genk**

**ref: Muurserre on wall-001 Rev. 05.10.2023**

**OCBS - 1148-CPR-20231003-989 C E**

**EN 1090-1 EXC 1**

**Euro-Muurserre on wall**

**[www.euroserre.com/cecertificaten](http://www.euroserre.com/cecertificaten)**