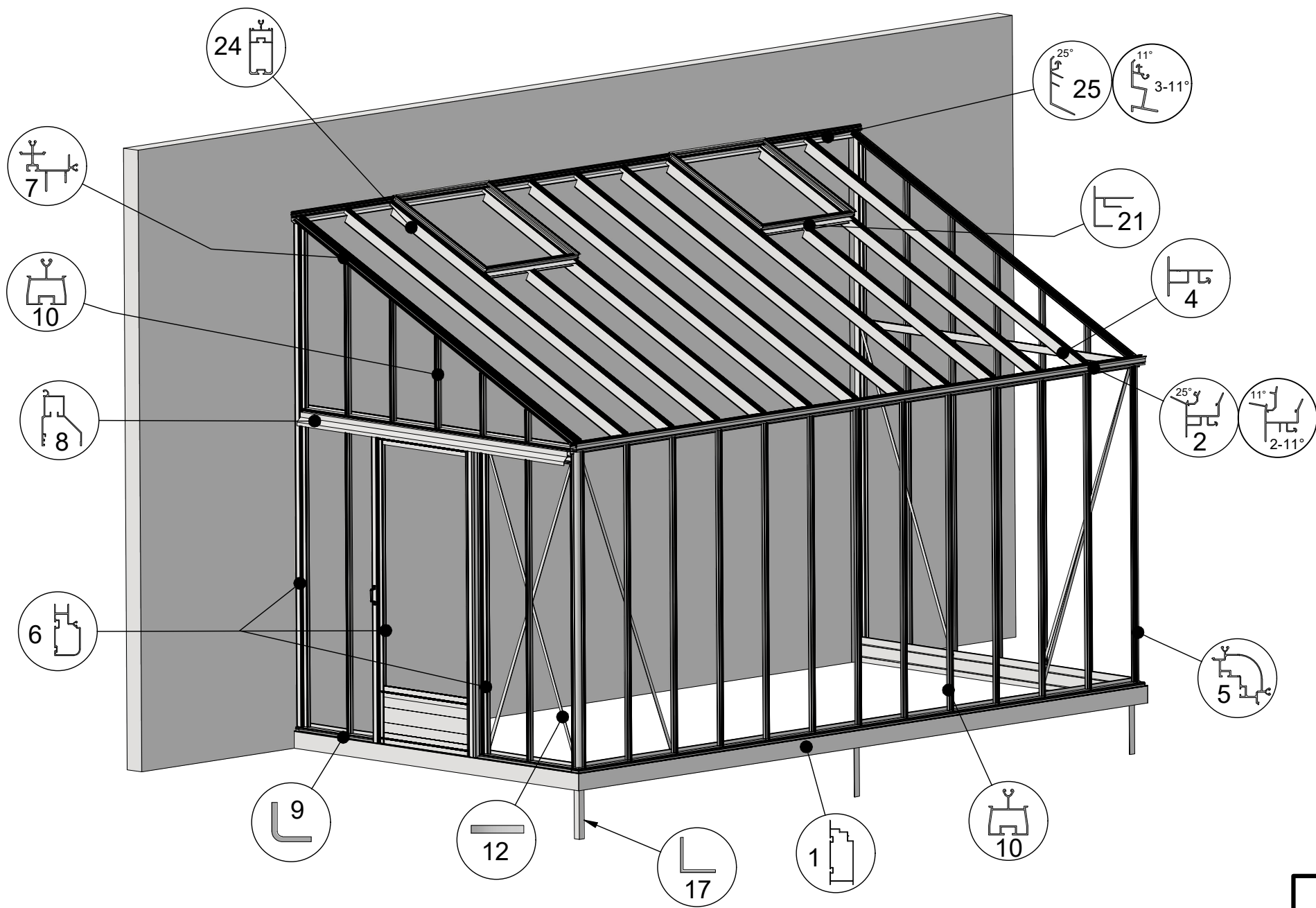

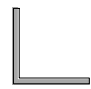
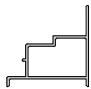

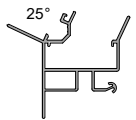
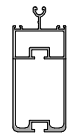


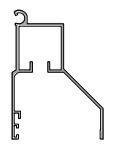

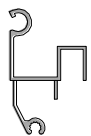
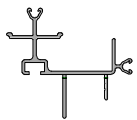
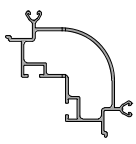
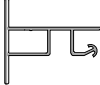
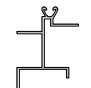
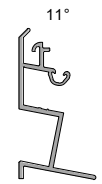
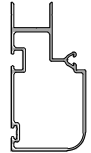

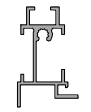
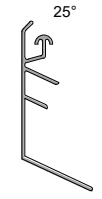


Euro-Muurserre 2,33 special



08-11-2023



Profile list											
-	NR	Profile NR	-	NR	Profile NR	-	NR	Profile NR	-	NR	Profile NR
	2-11°	7151		17	L40/40/2		1A	17552		9	L15/15/2
	2	11788		24	10968		12	7070		21	29577
	8	7633		1	17538		18	17542		7	7151
	5	17548		4	17549		19	17543		3-11°	11280
	6	9915		10	17541		20T	28513		25	17666

- Attention! Check inside the foundation for more profiles.
- Please fasten screws and nuts hand-tight.

- Achtung! Prüfen sie das fundament für weitere profile.
- Schraube und Mutter bitte handfest festziehen.

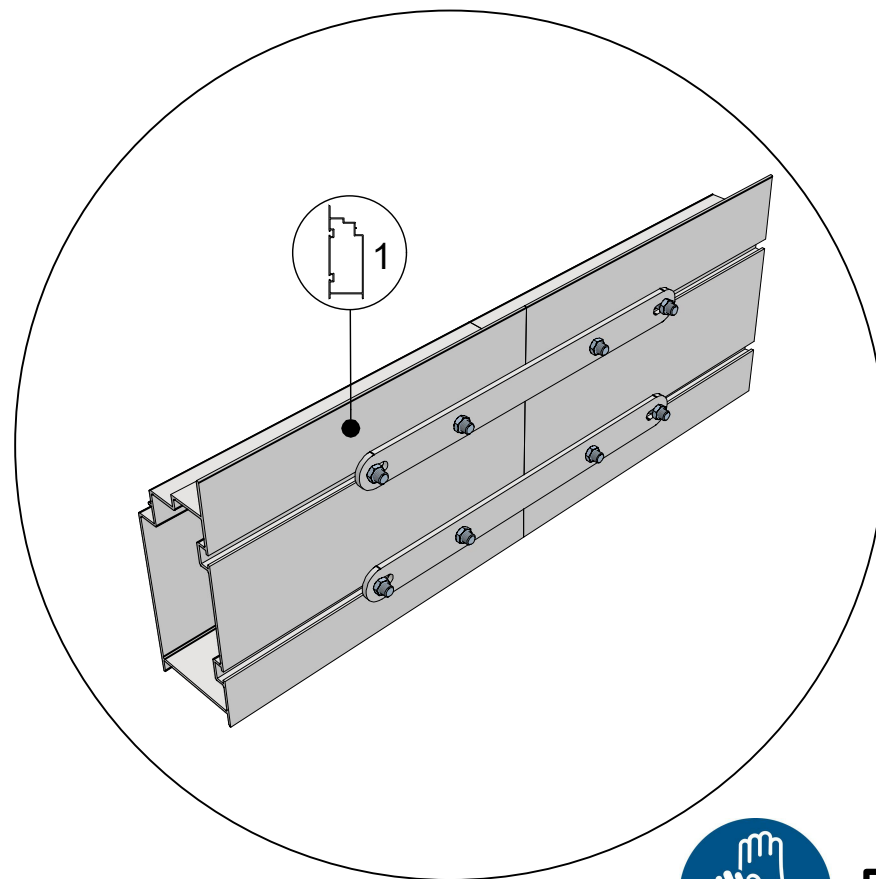
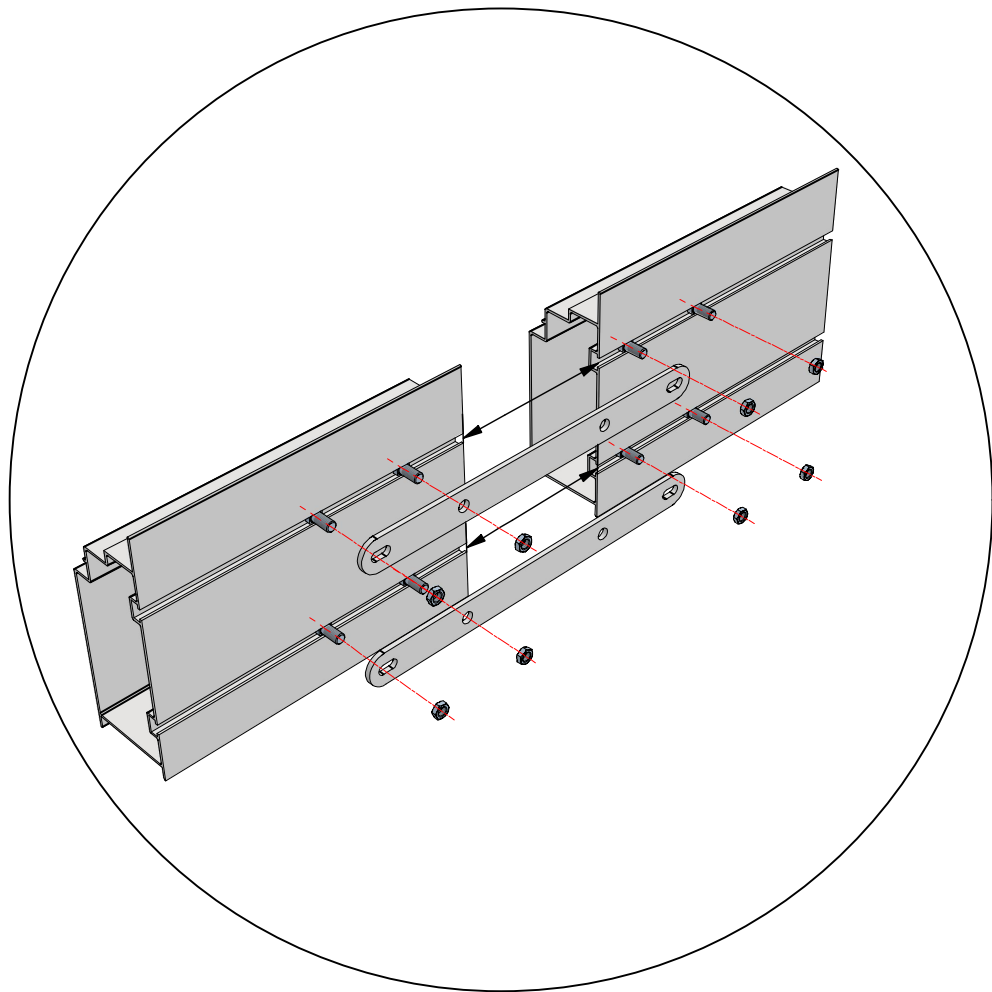
- Opgelet! kijk in de fundering voor andere profielen.
- Bout en moer a.u.b. handvast aandraaien.

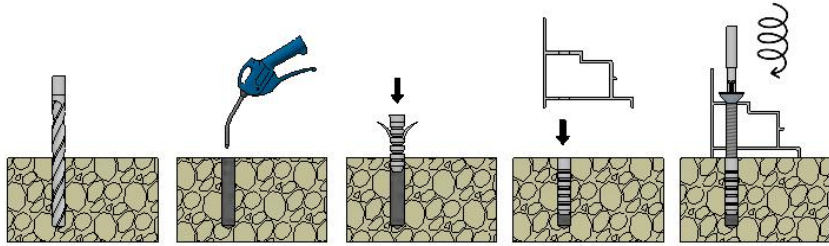
- Attention! Regarde à l'intérieur du fondation pour plussier profils.
- Serrez les écrous et vis à la main s.v.p.

- Observera at en del profiler ligger i sockelprofilen!!
- Dra åt skruven och muttern handfast.

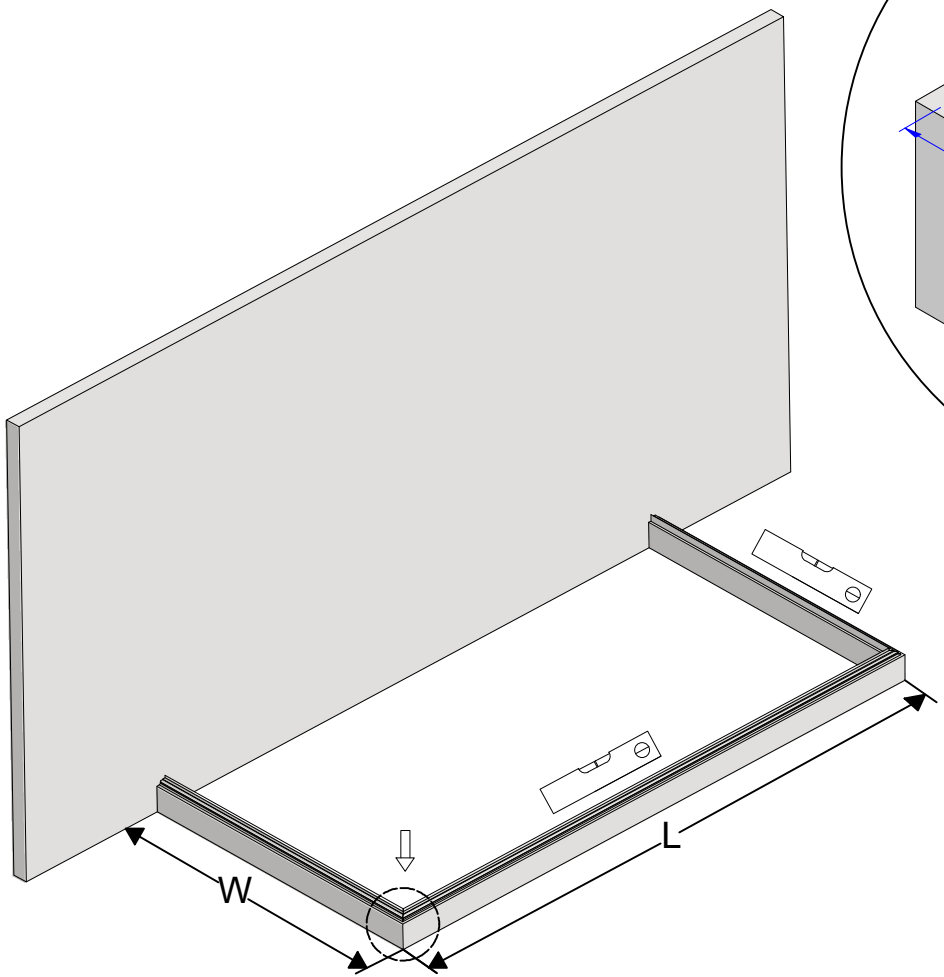
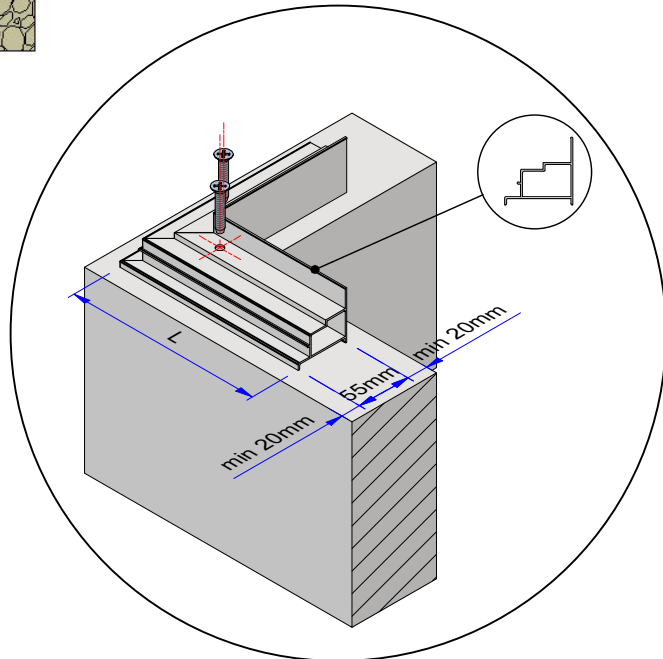
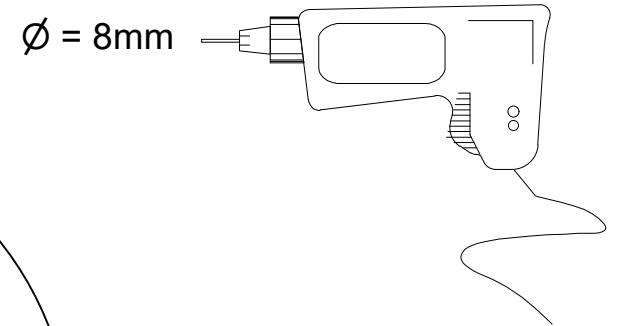
Euro-Muurserre > 6,04 M

 = M6x12 (8x)






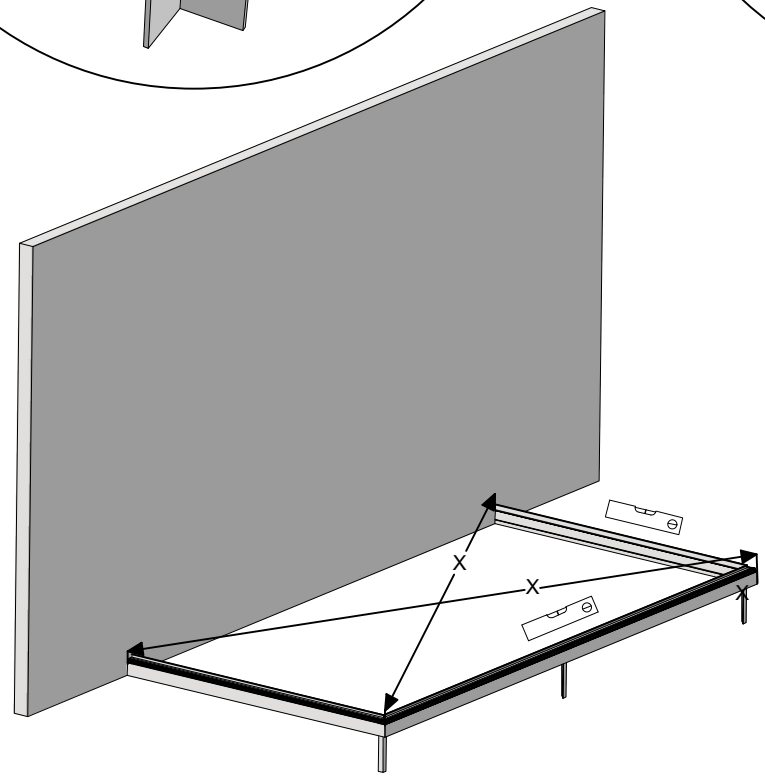
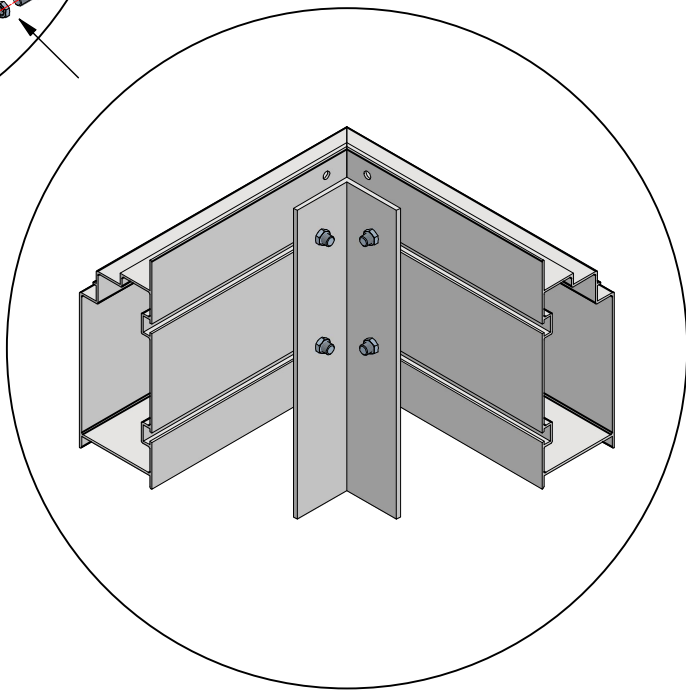
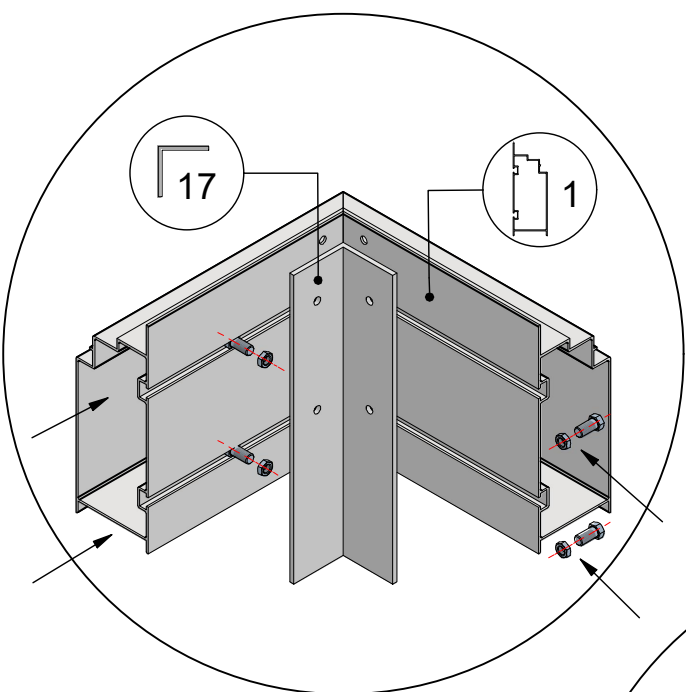
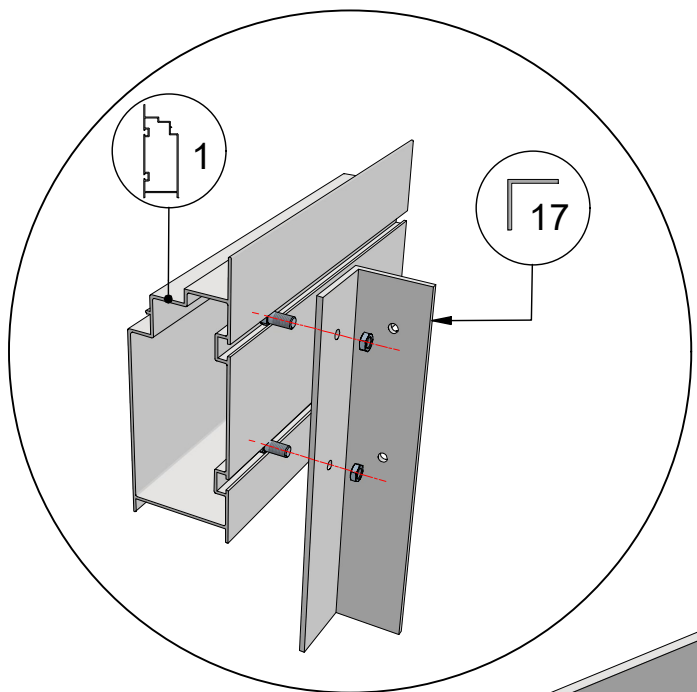
= 8x40 = 6x120

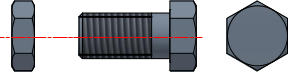


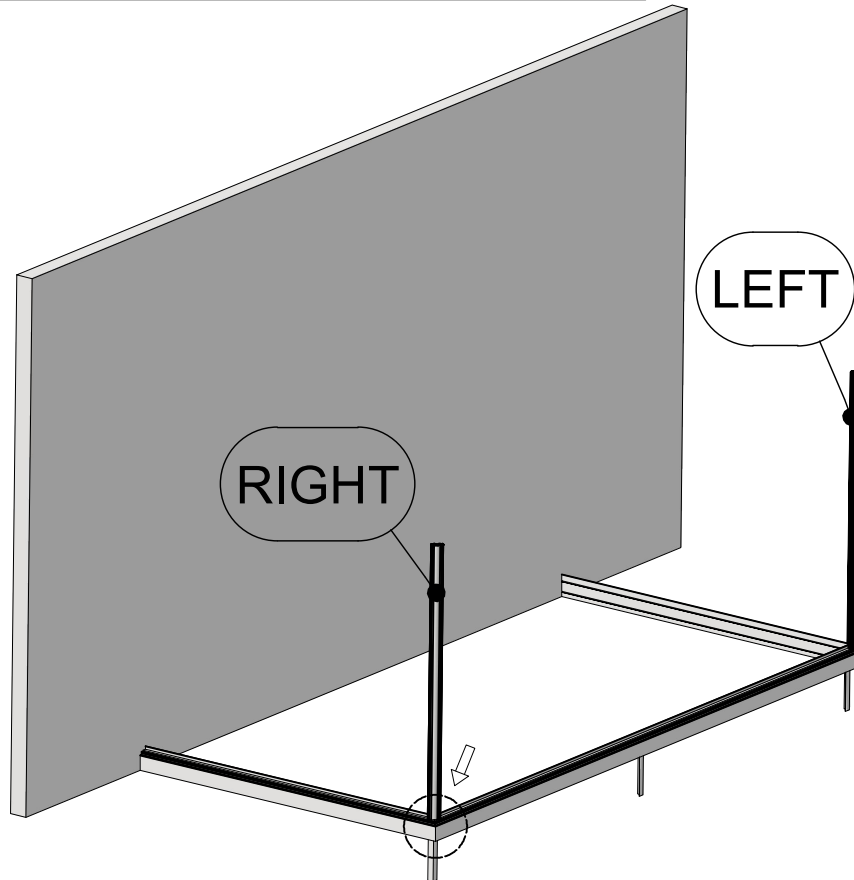
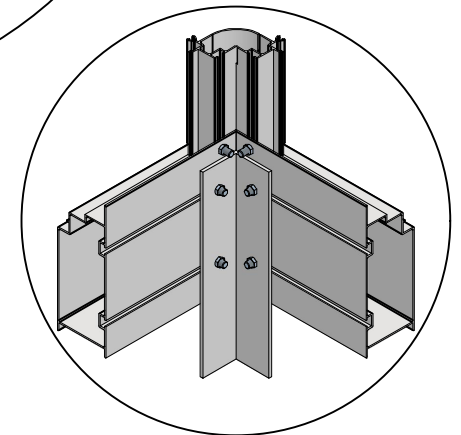
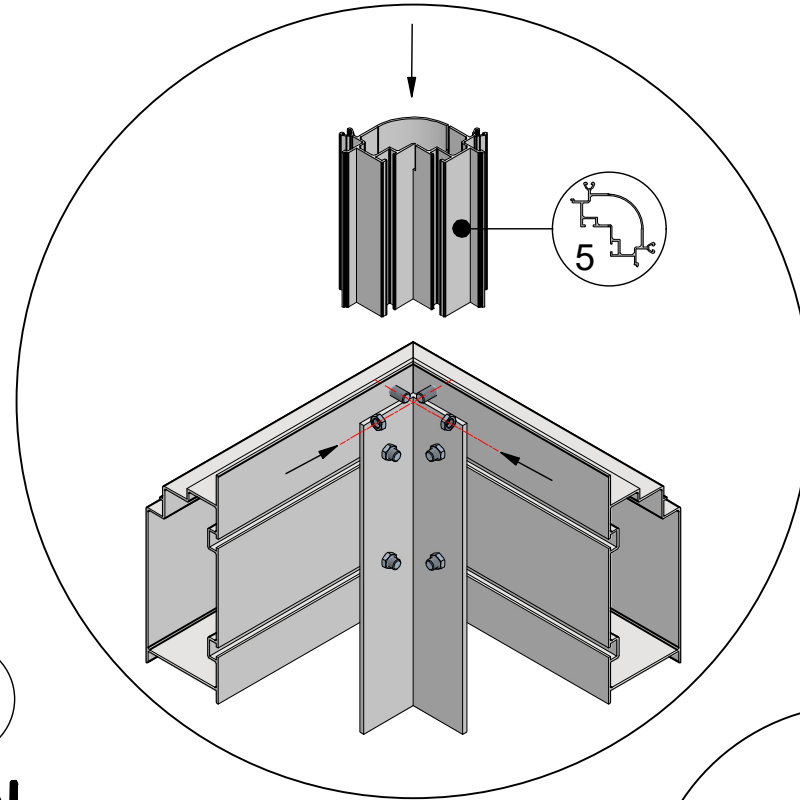
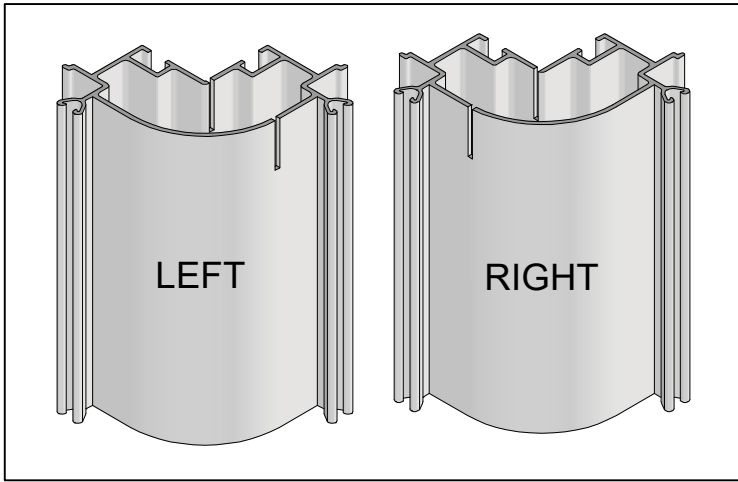
W	L
2329	2347
	3084
	3821
	4558
	5295
	6032
	6769
	7506
	8243
	8980

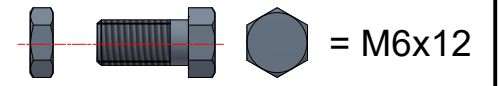


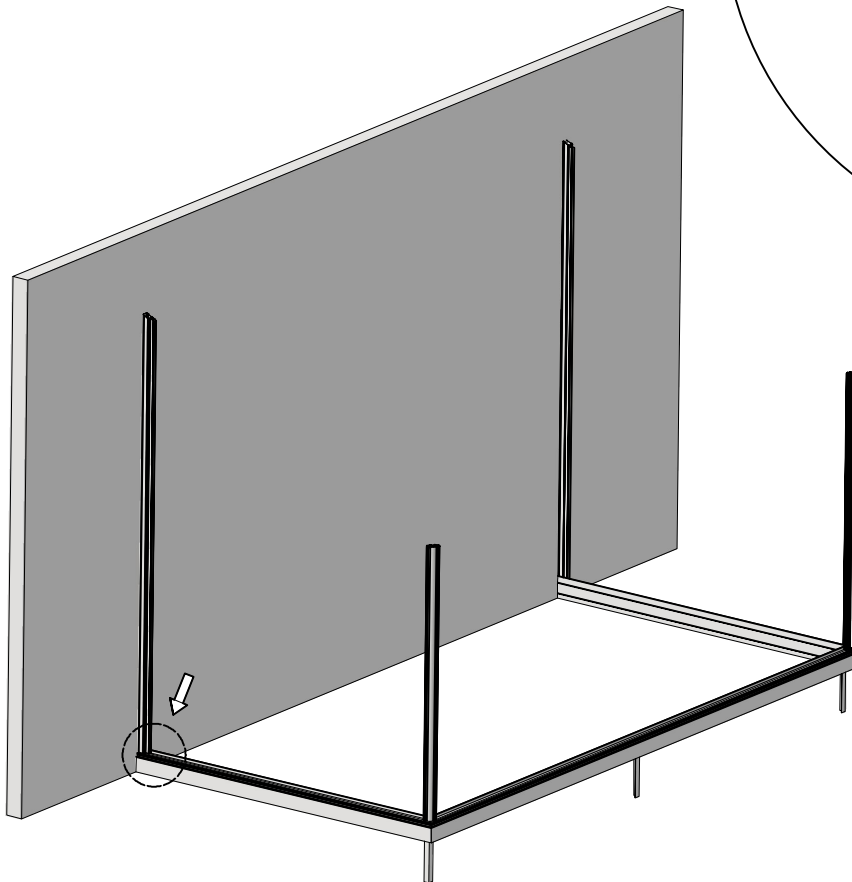
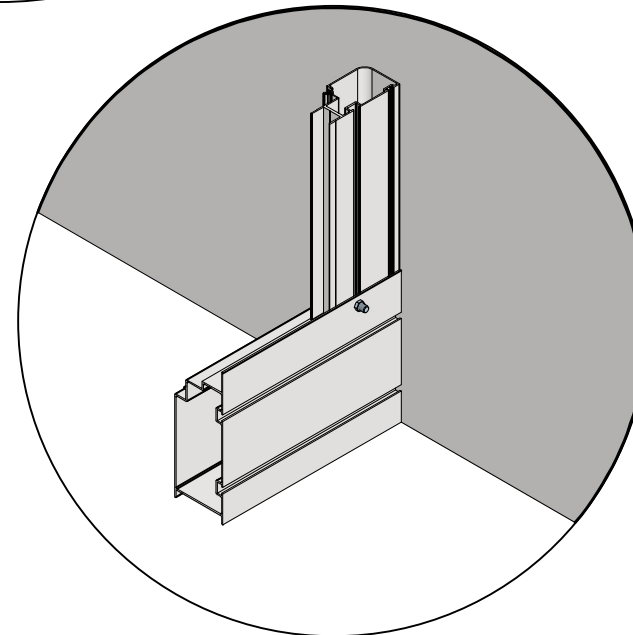
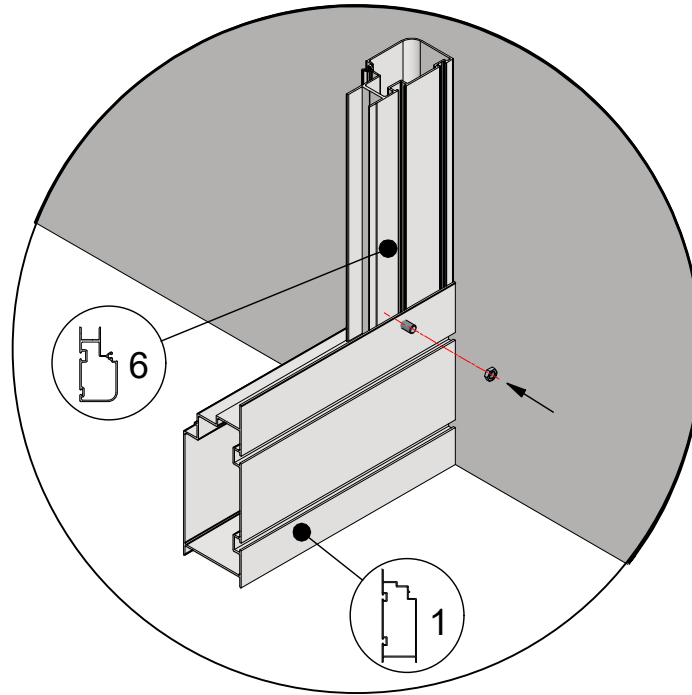
 = M6x12

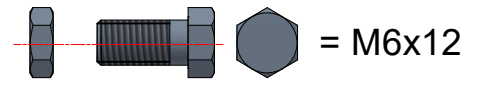


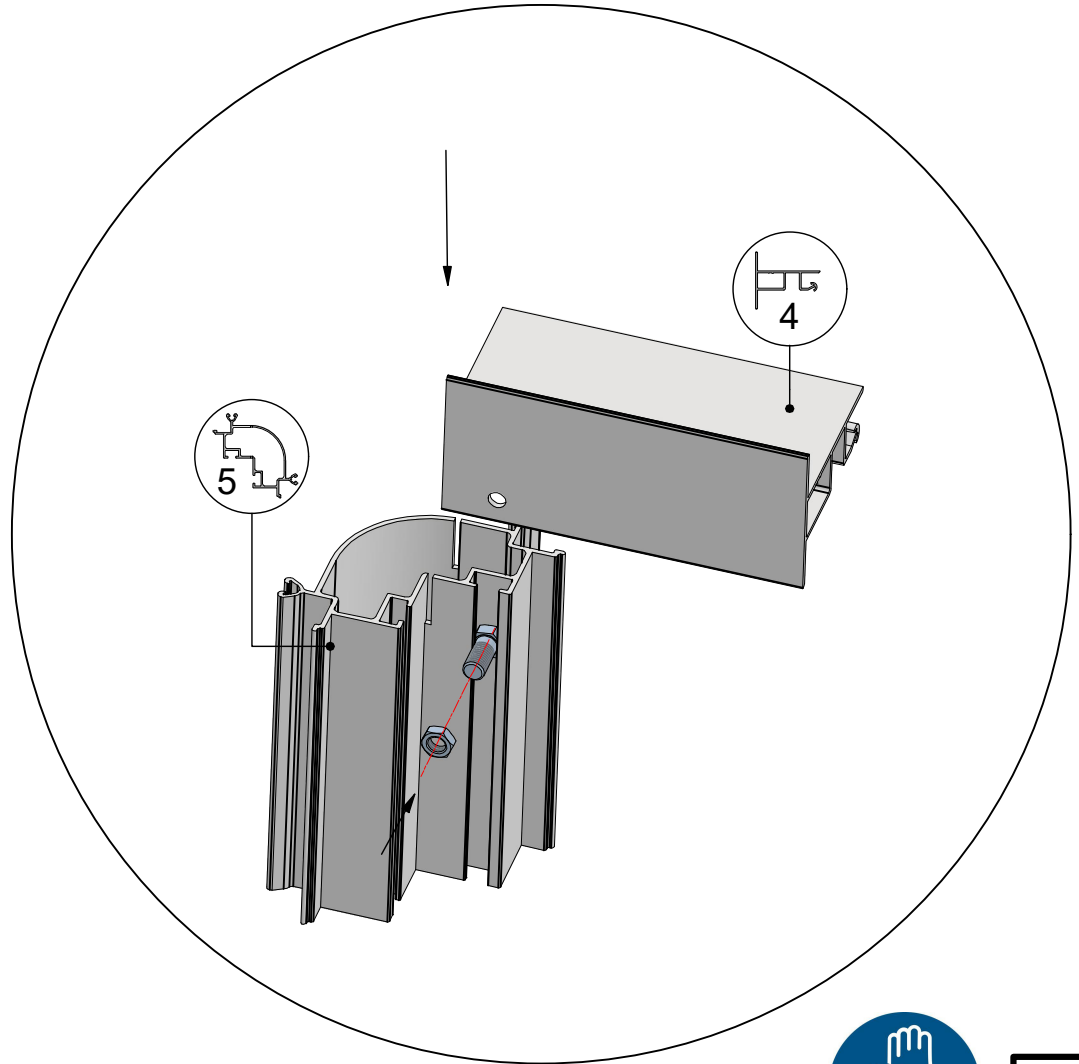
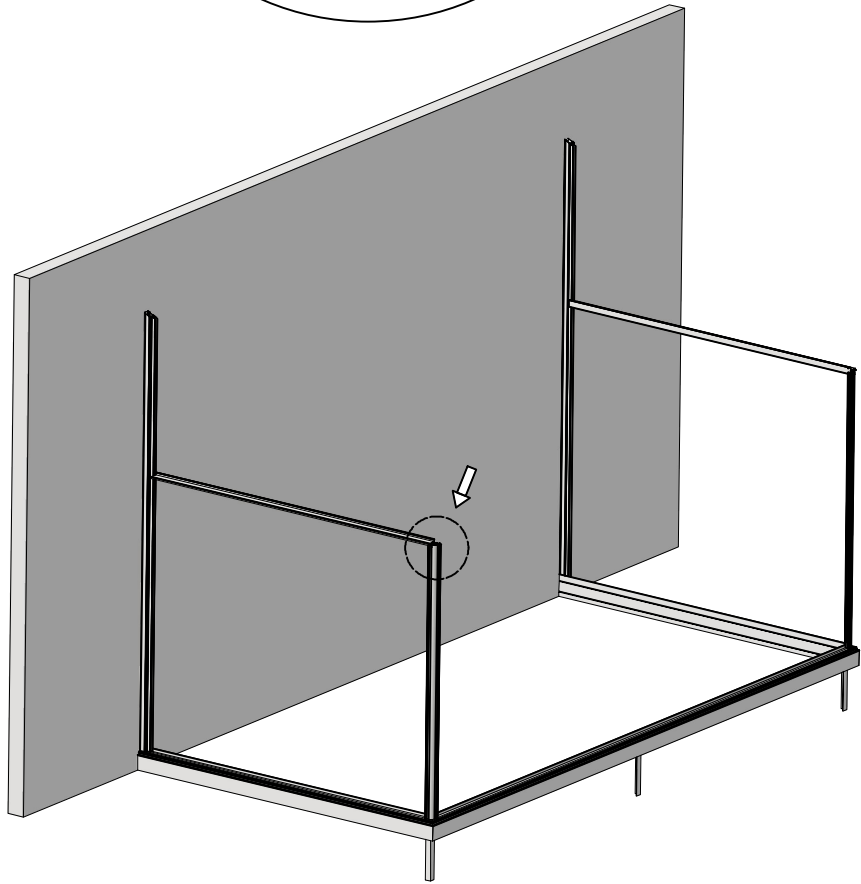
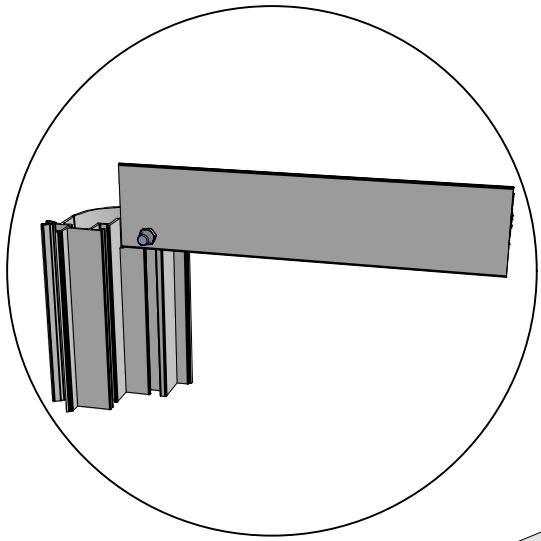
 = M6x12




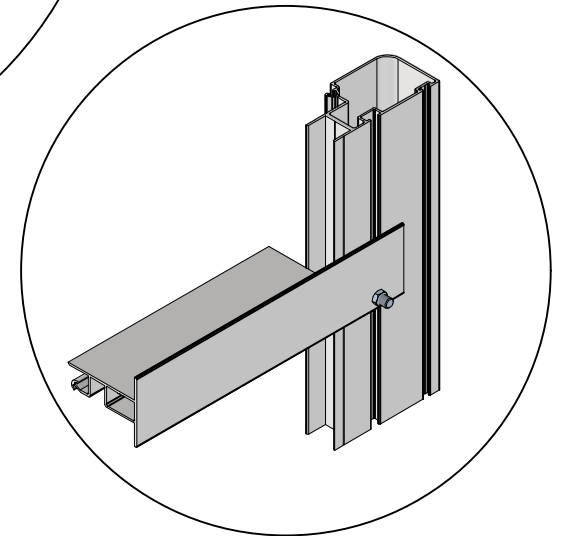
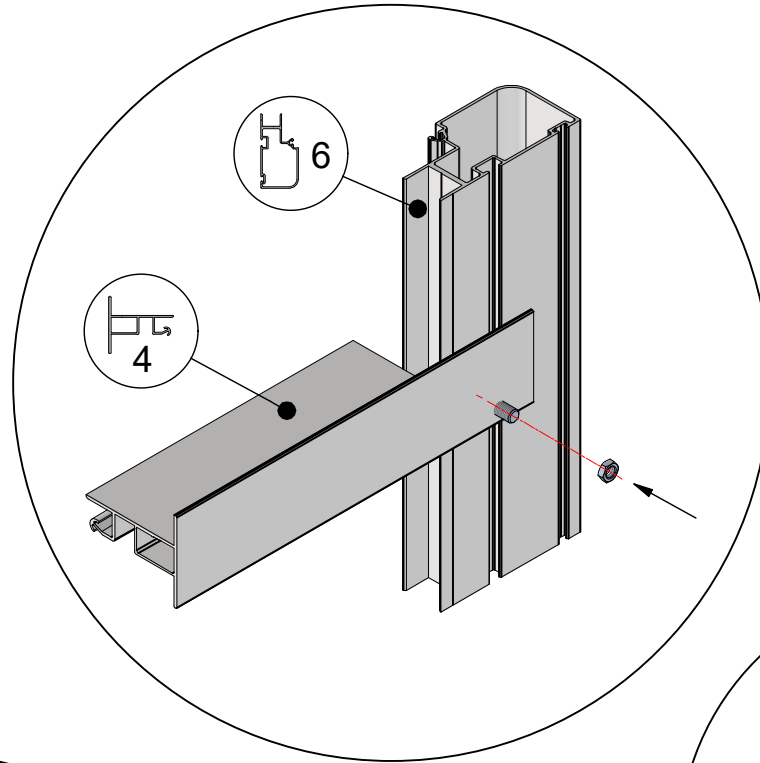
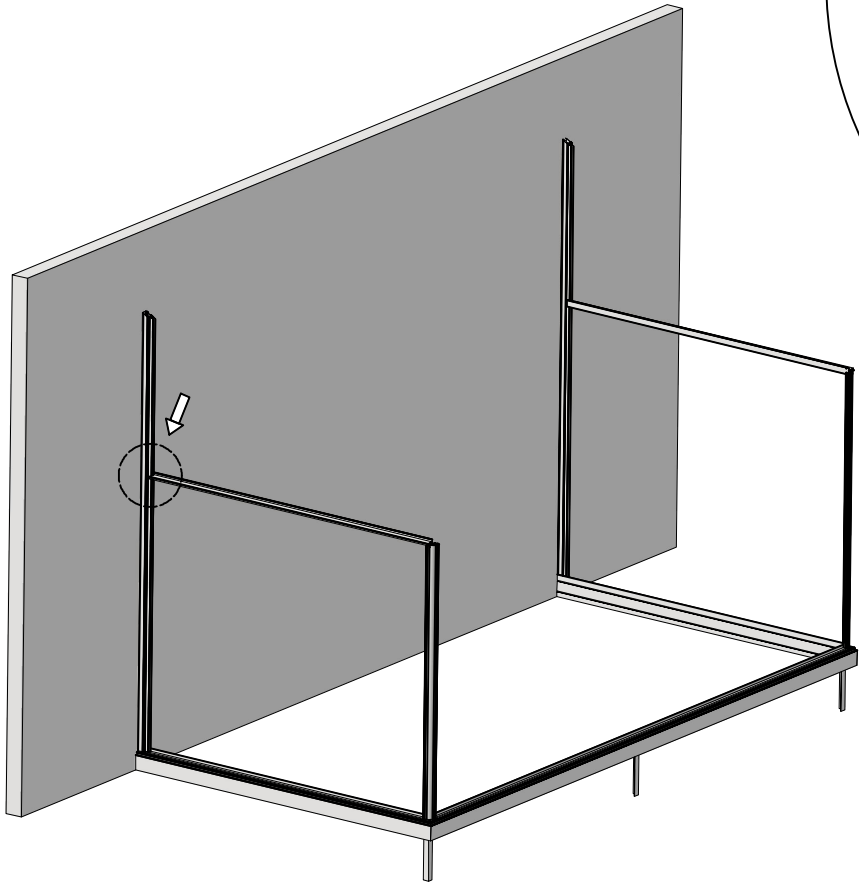
 = M6x12



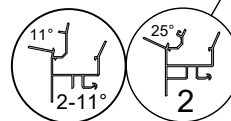
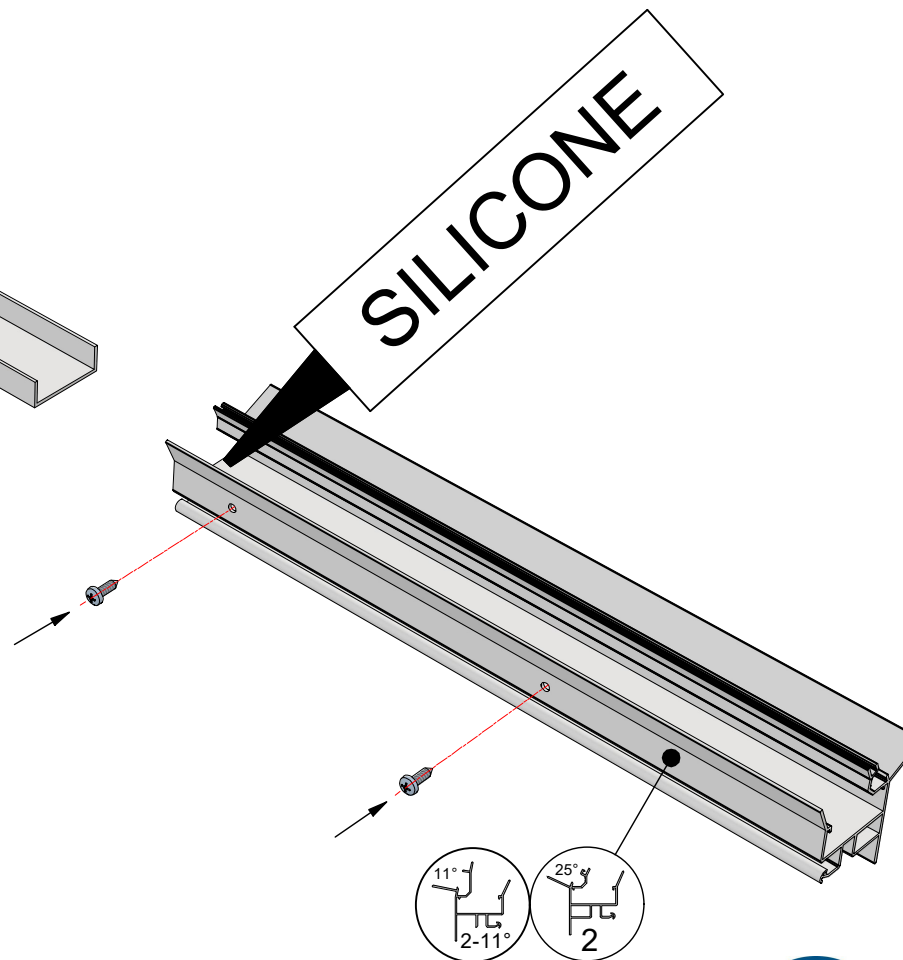
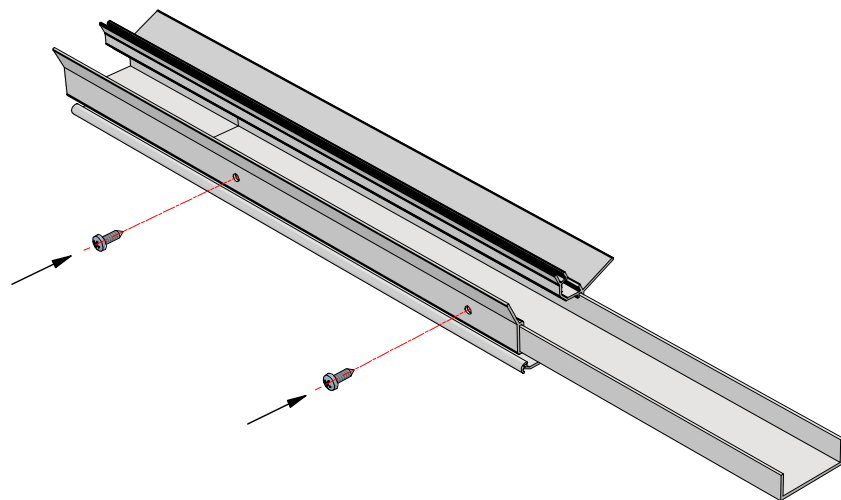
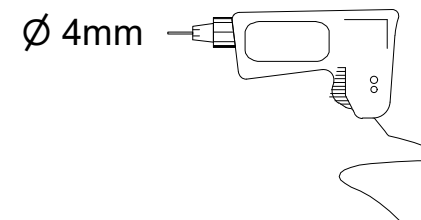
 = M6x12



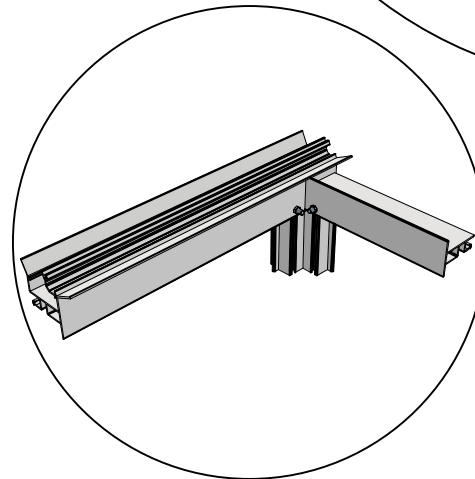
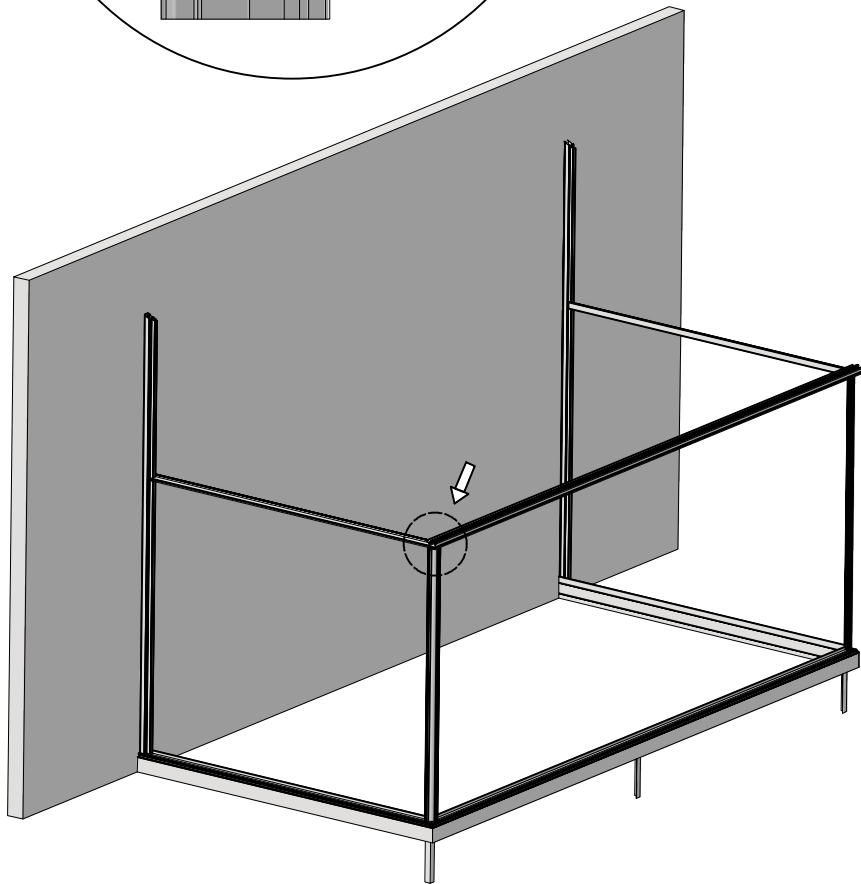
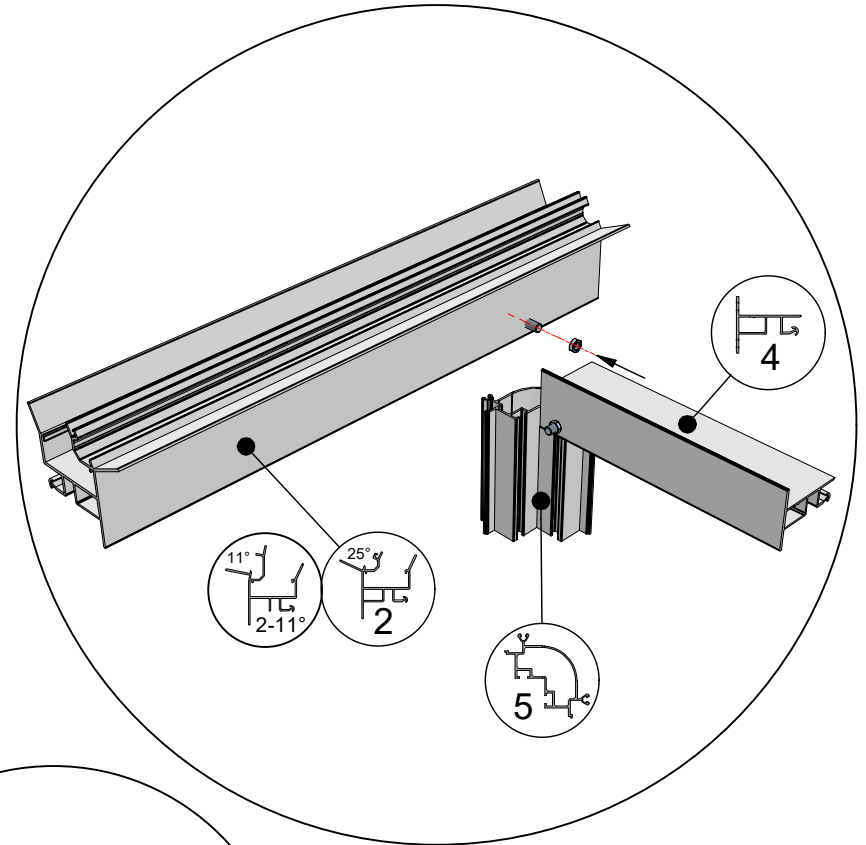
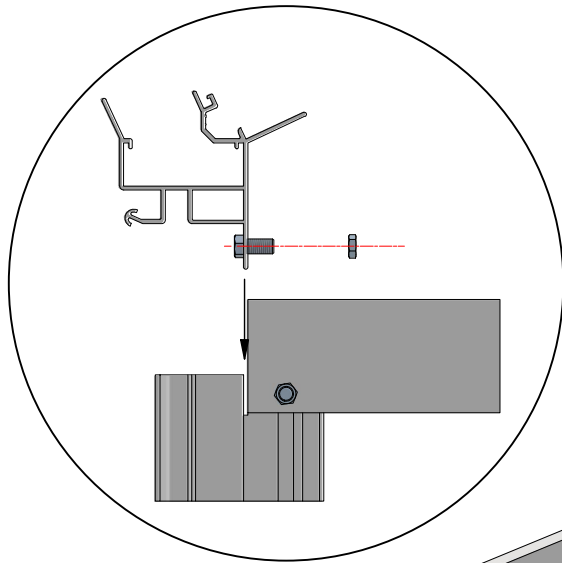
 = M6x12




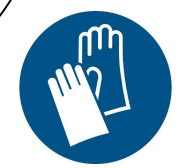
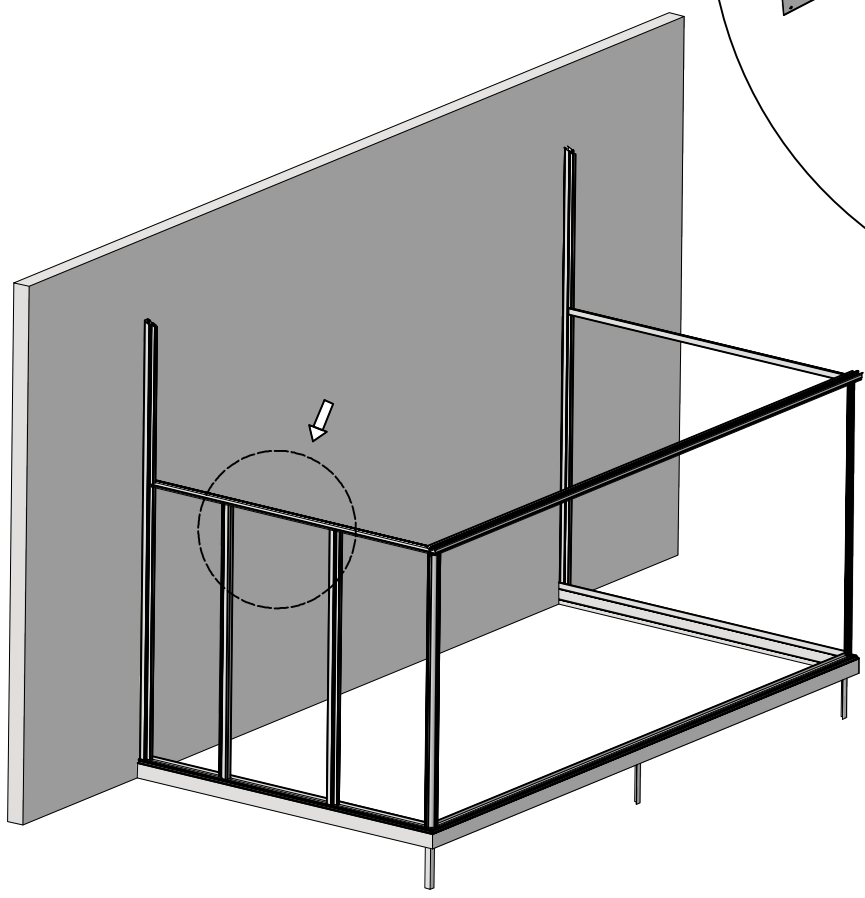
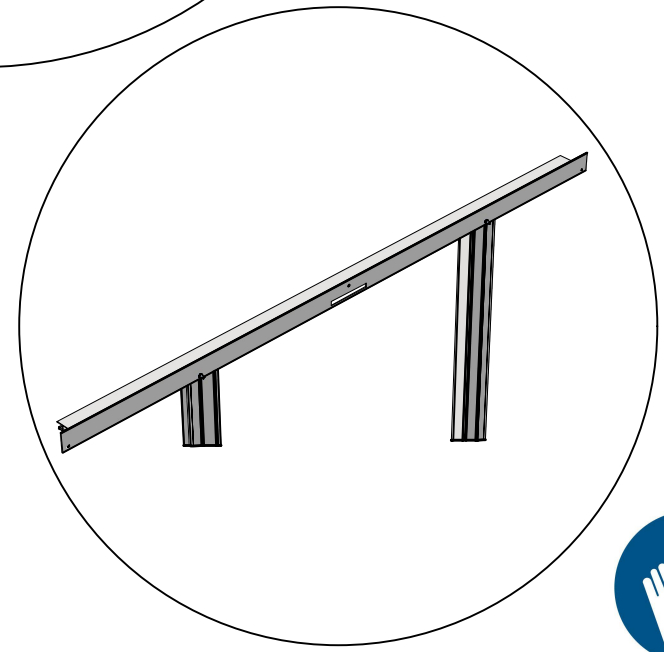
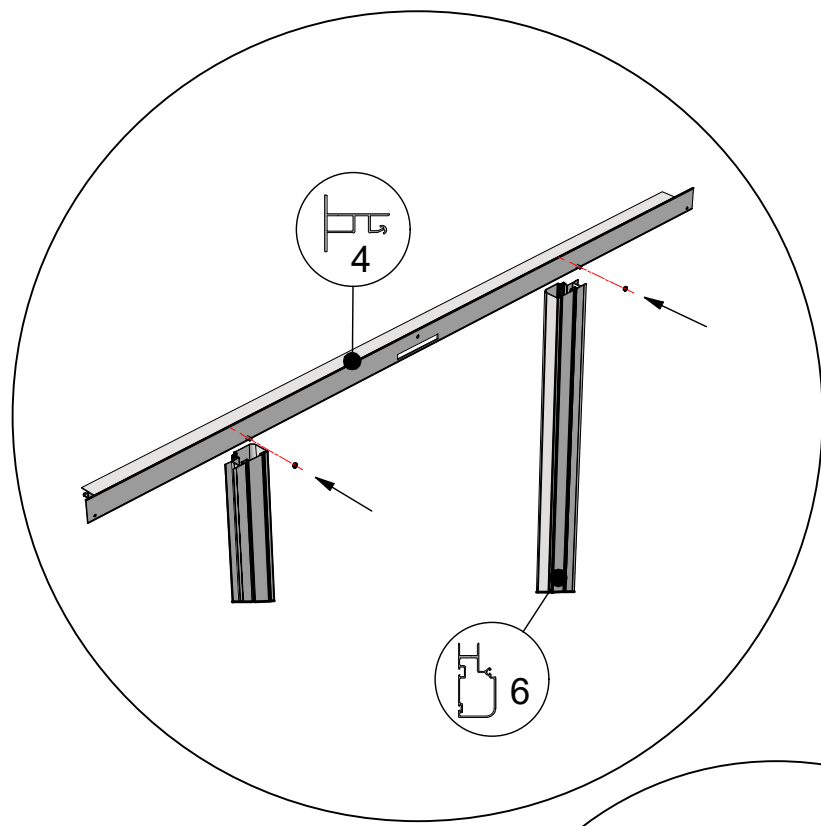
Euro-Muurserre > 6,04 + 6,77 + 7,53 + 8,30

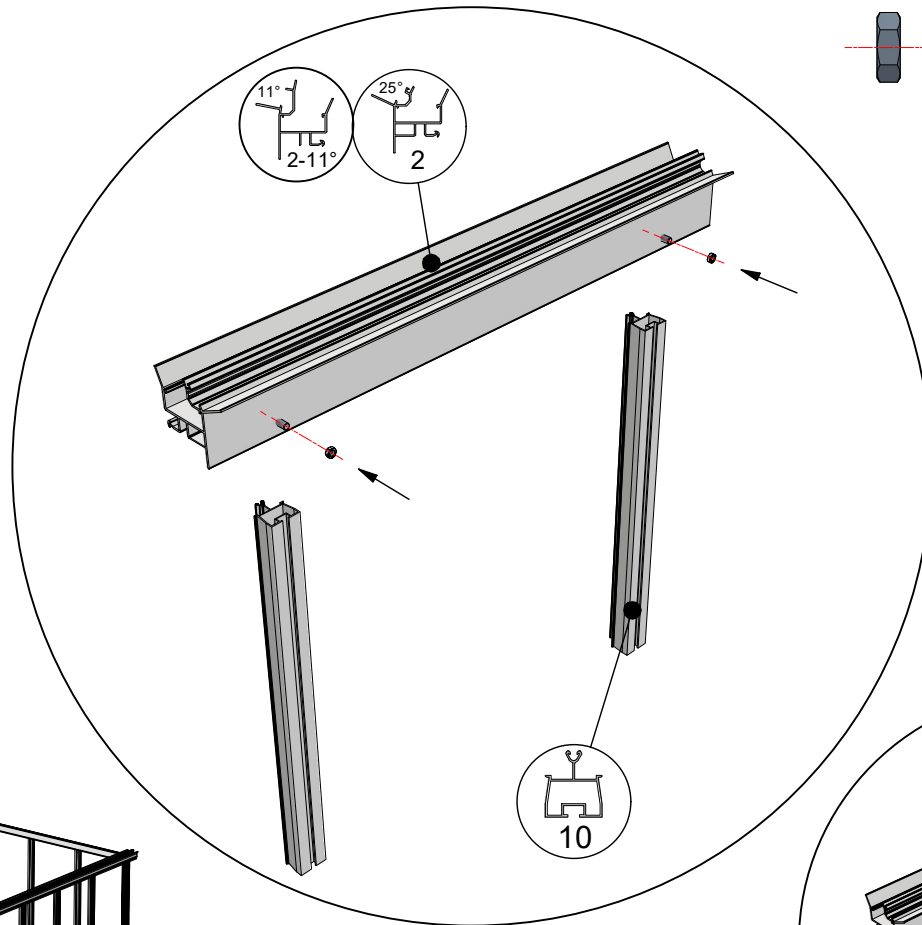
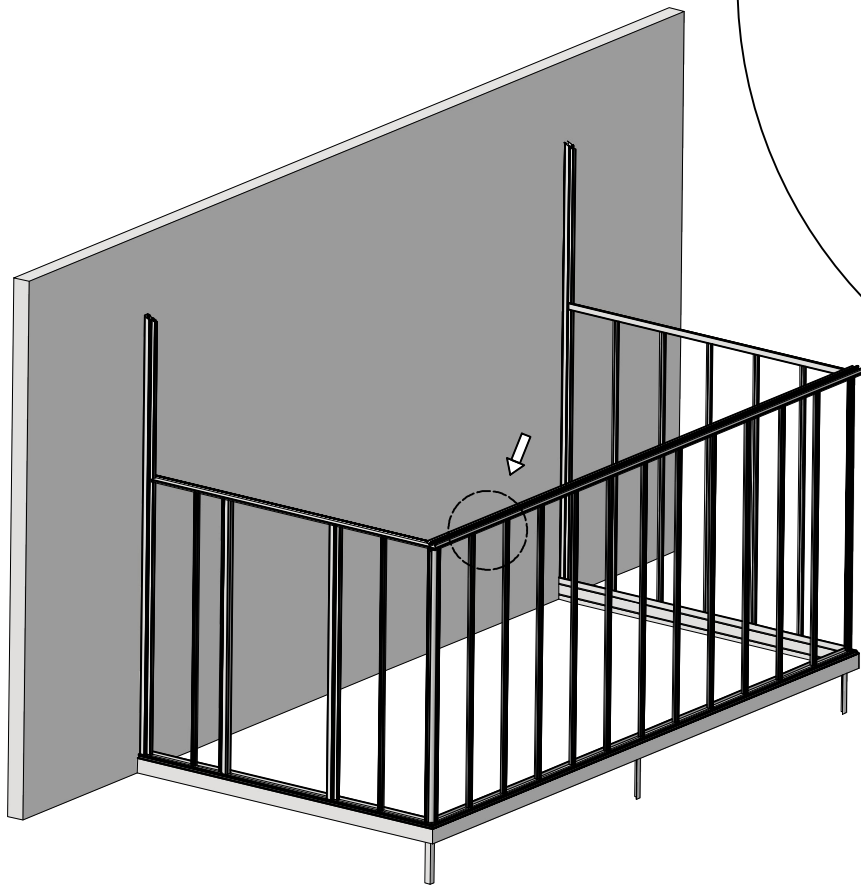



 = M6x12 (4x)

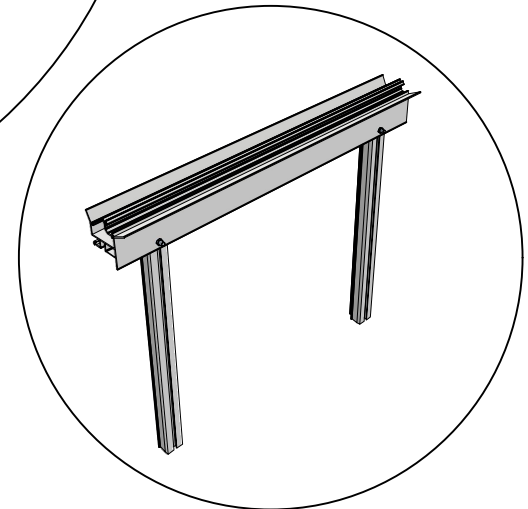


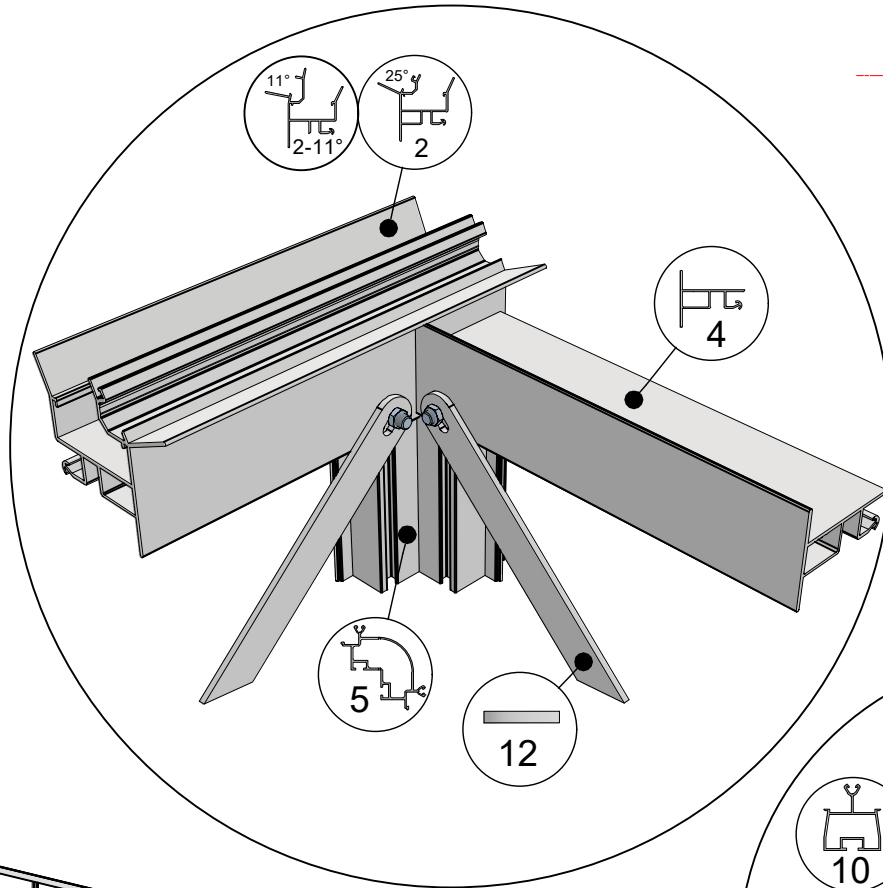
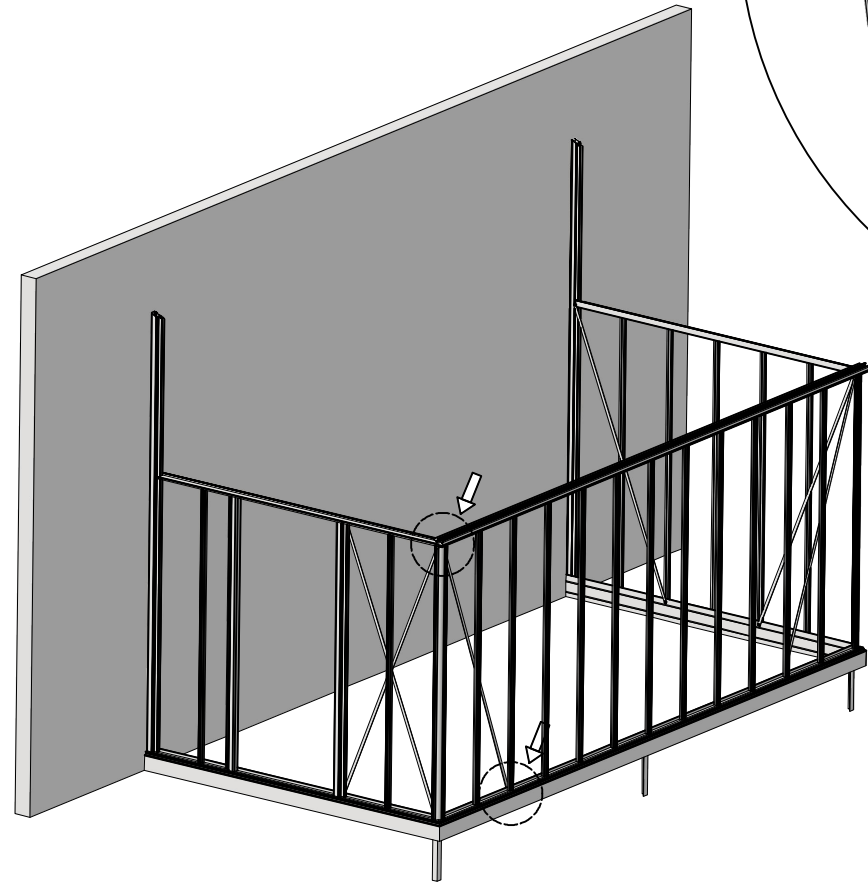
 = M6x12

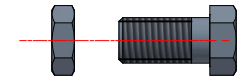


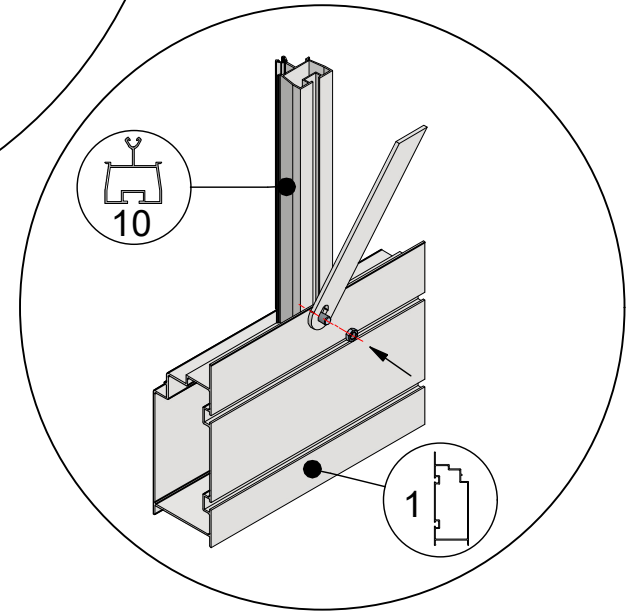



 = M6x12

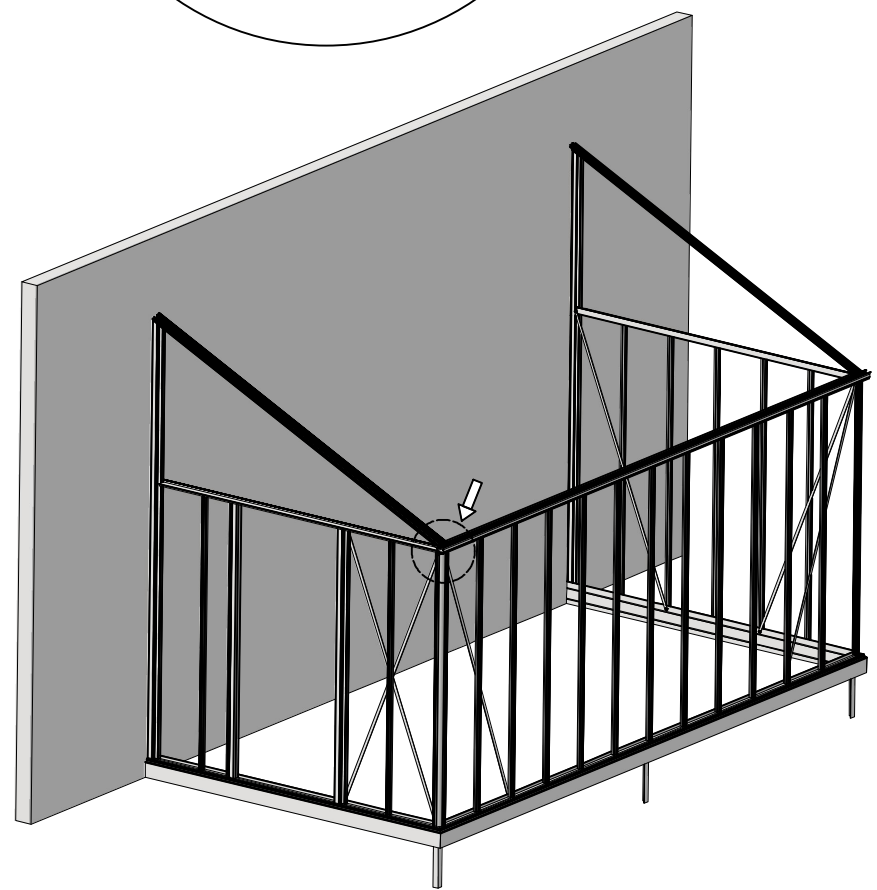
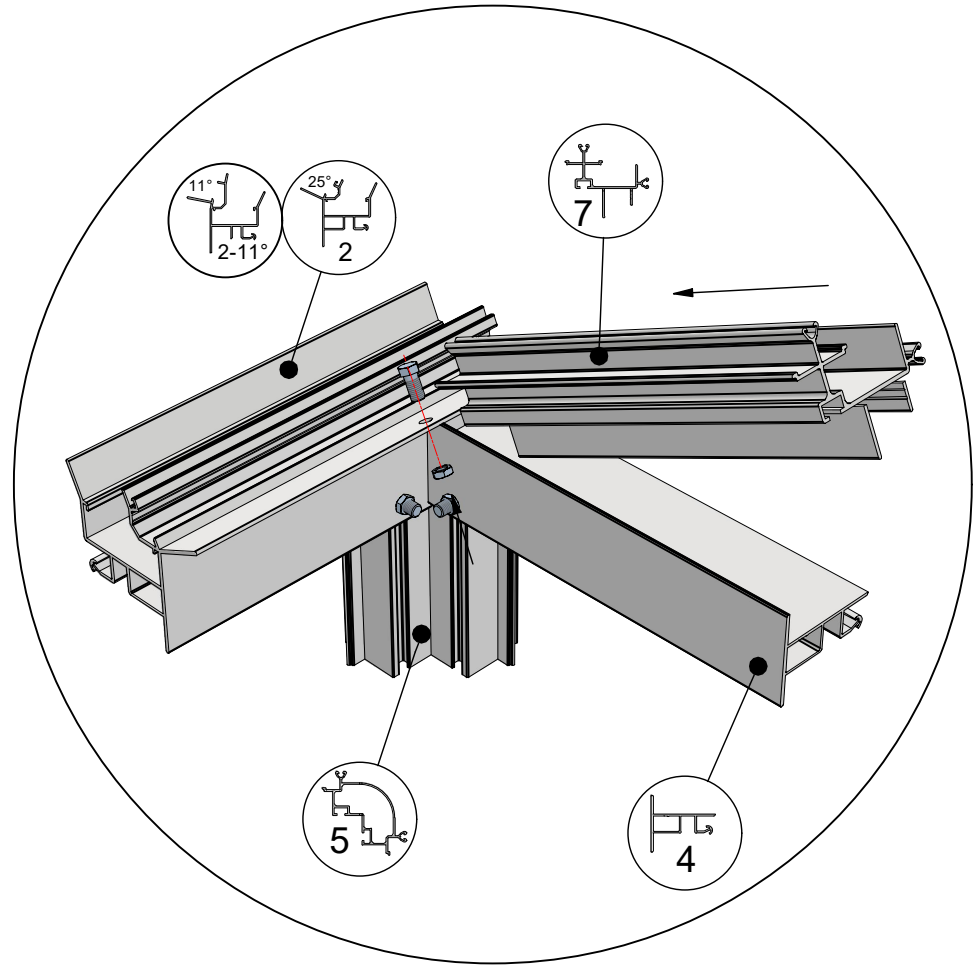
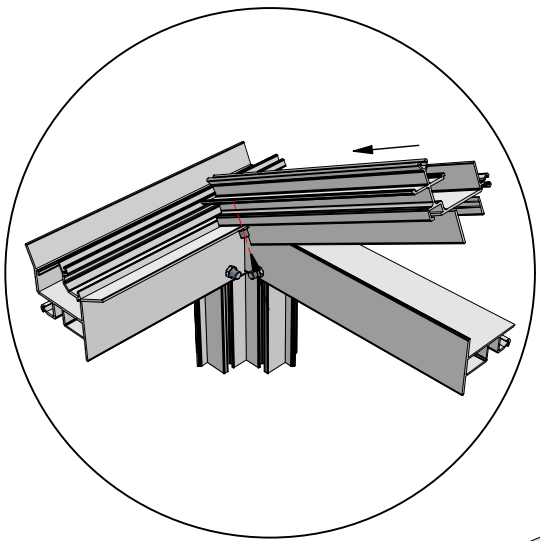





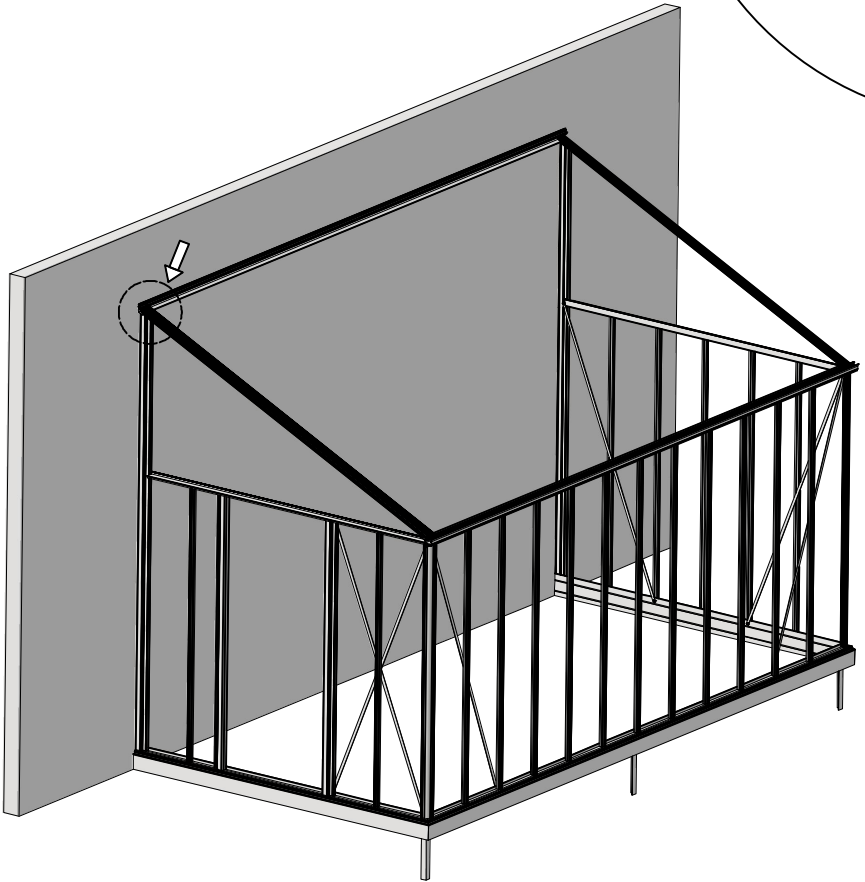
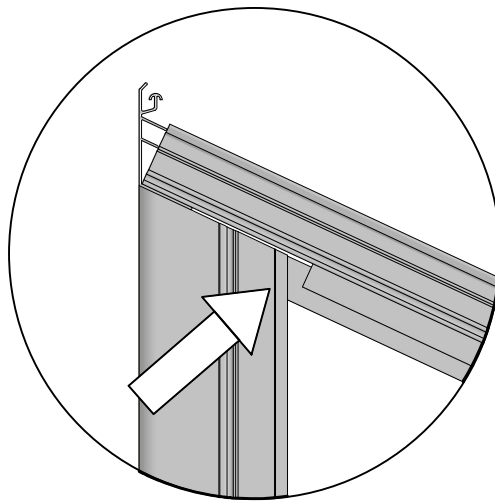
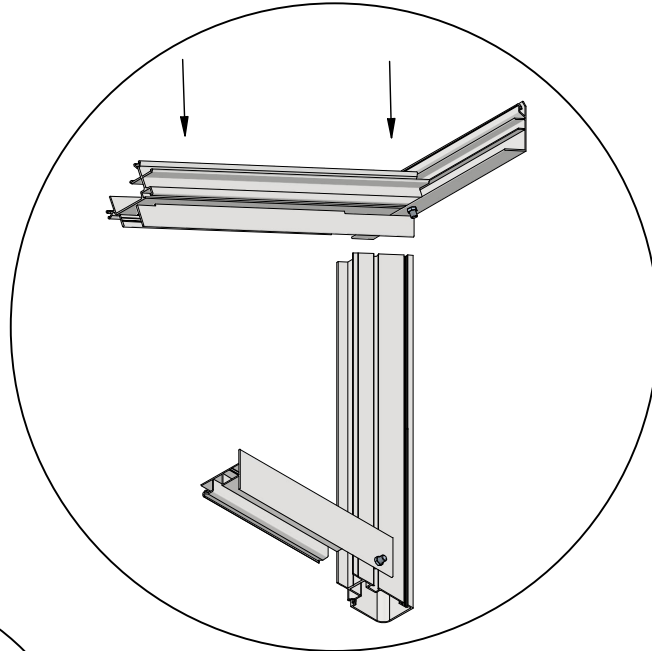
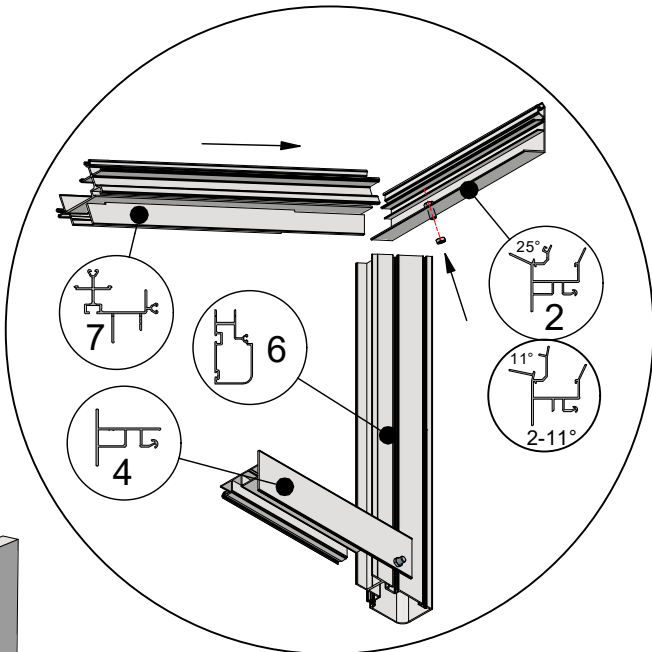
 = M6x12

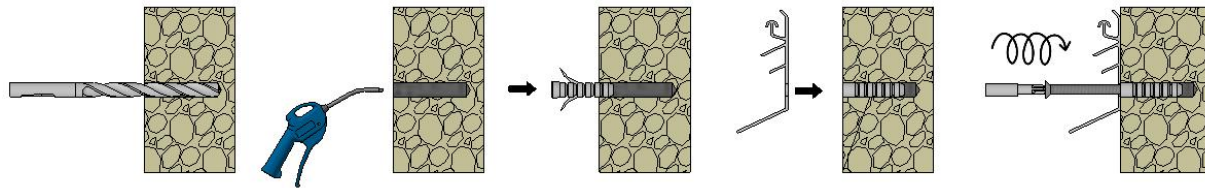


 = M6x12

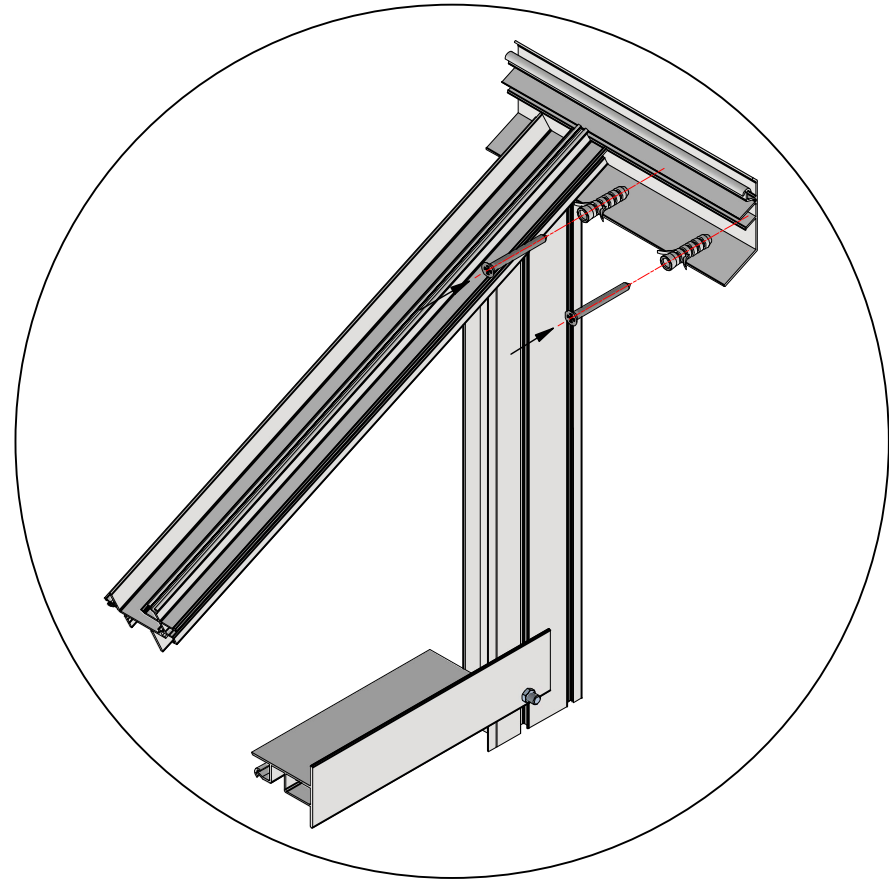
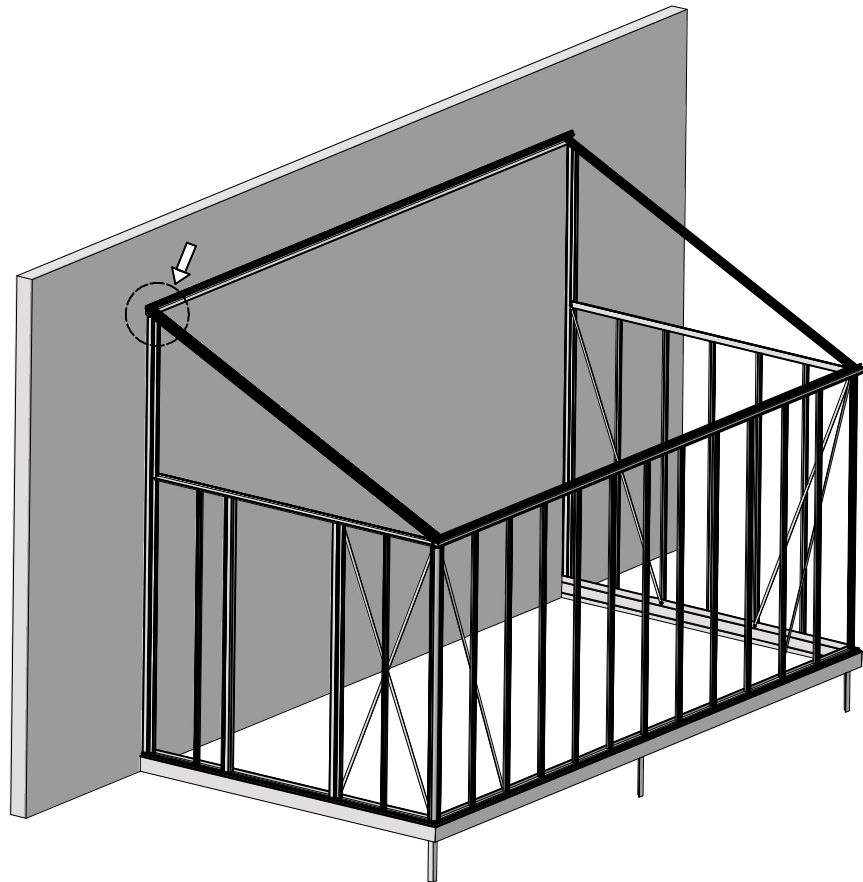
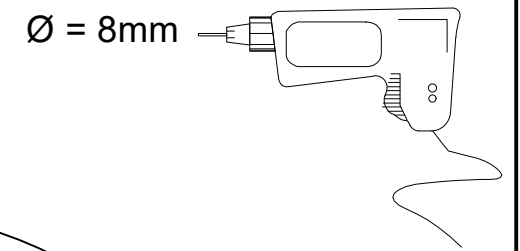


 = M6x12



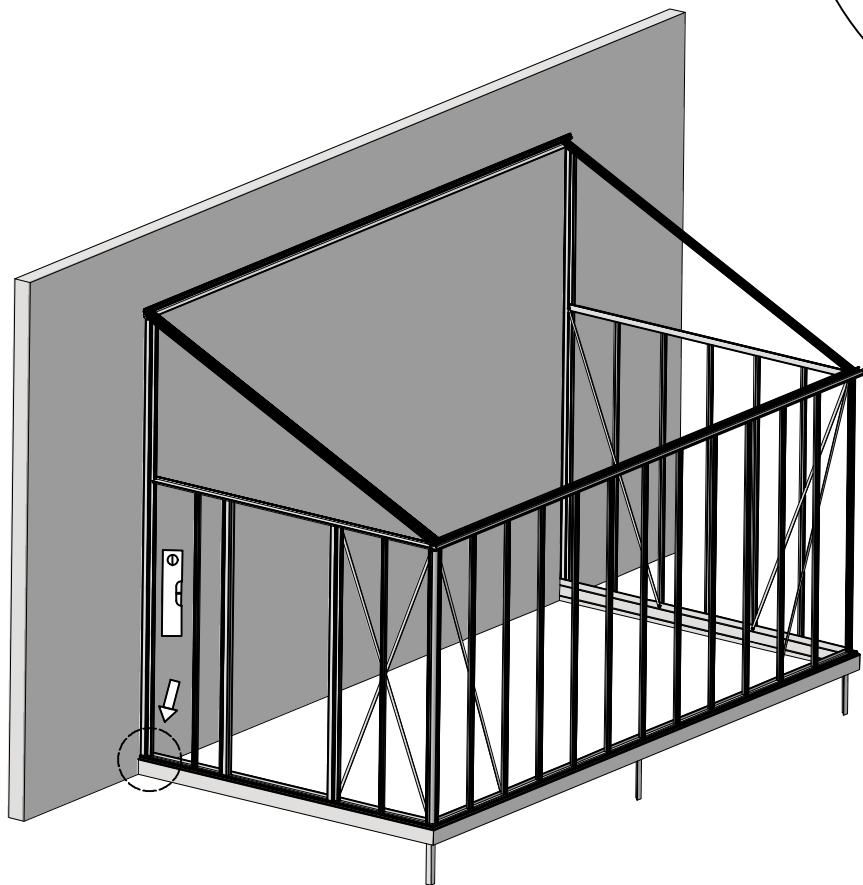
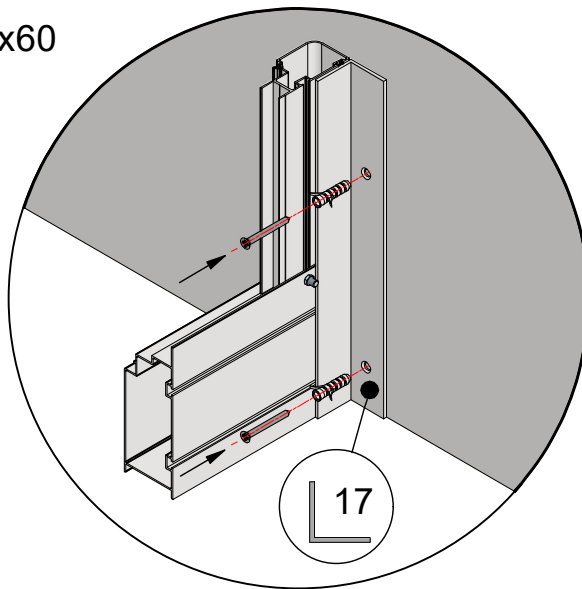
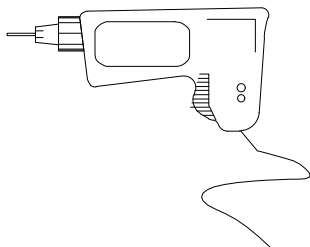


 = 8x40  = M5x60



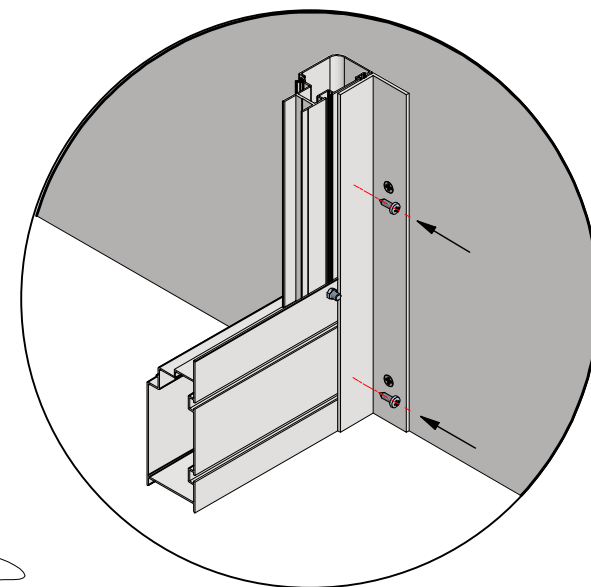
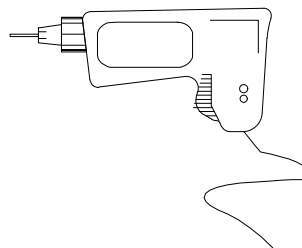
 = 8x40   = M5x60

Ø = 8mm

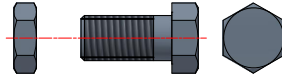


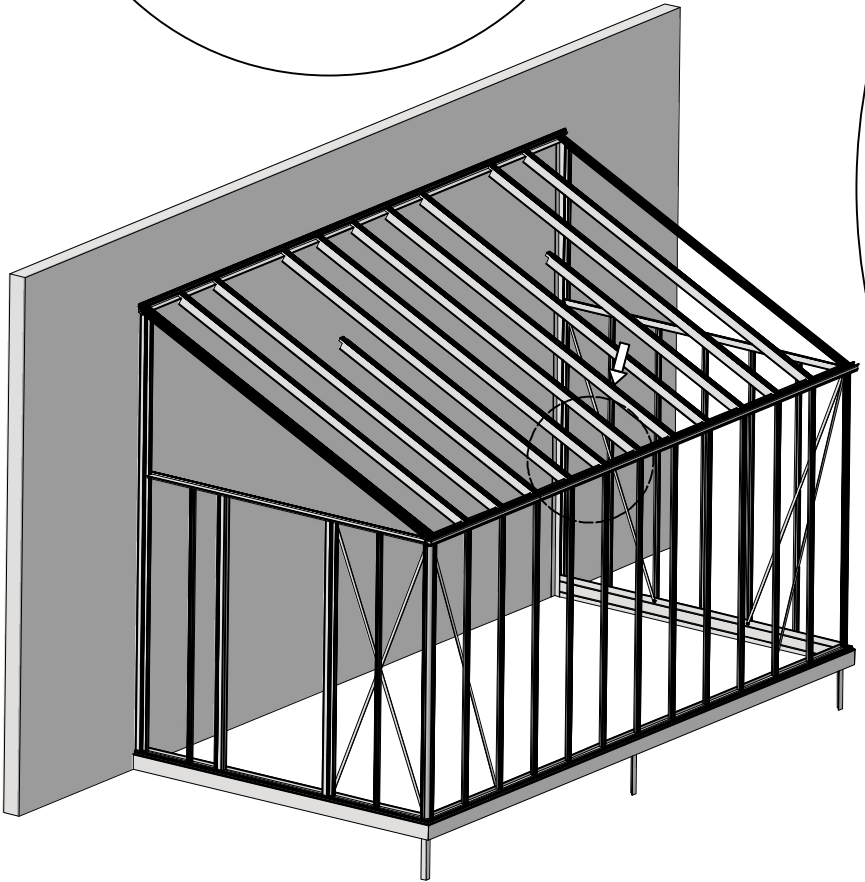
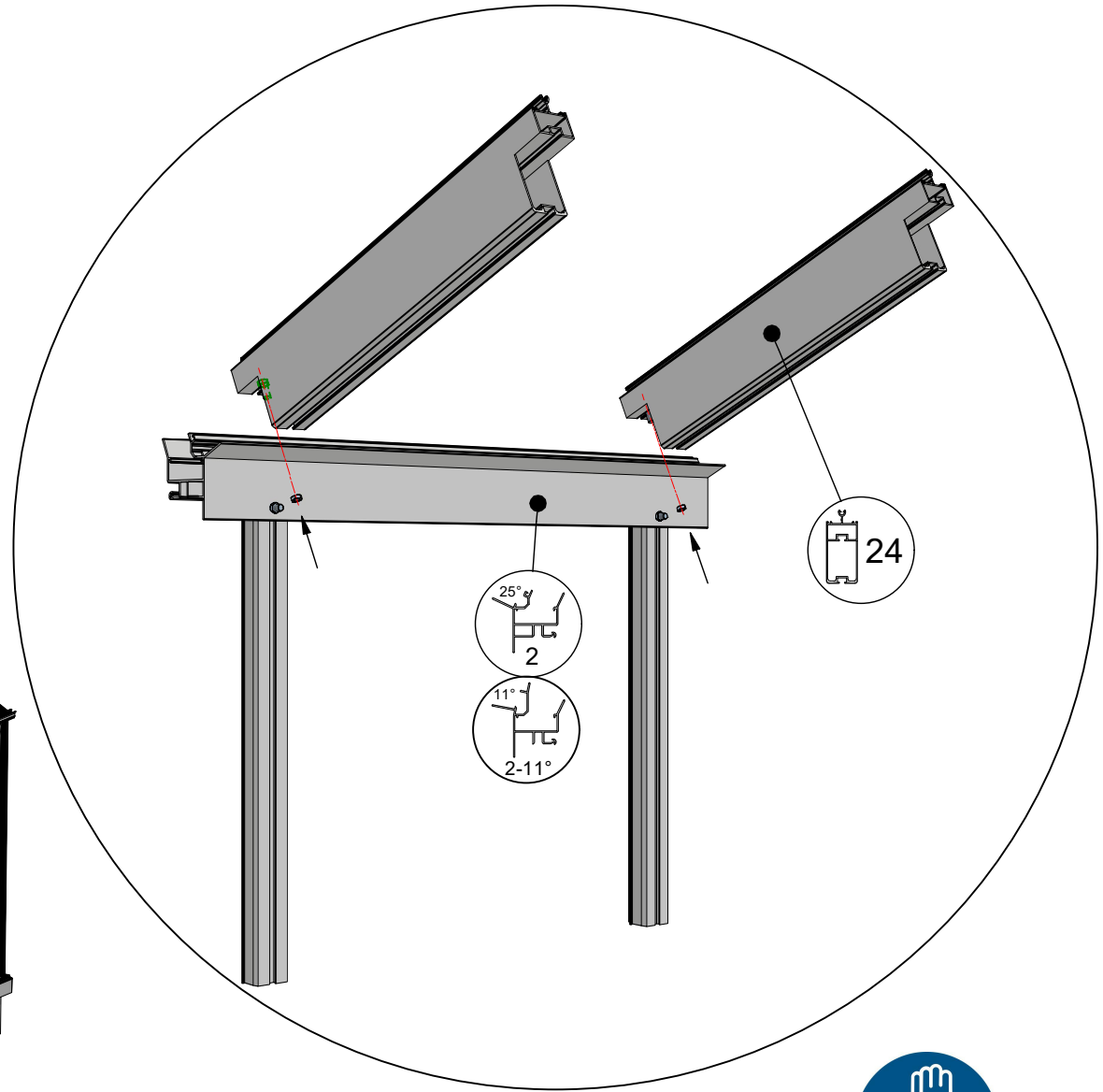
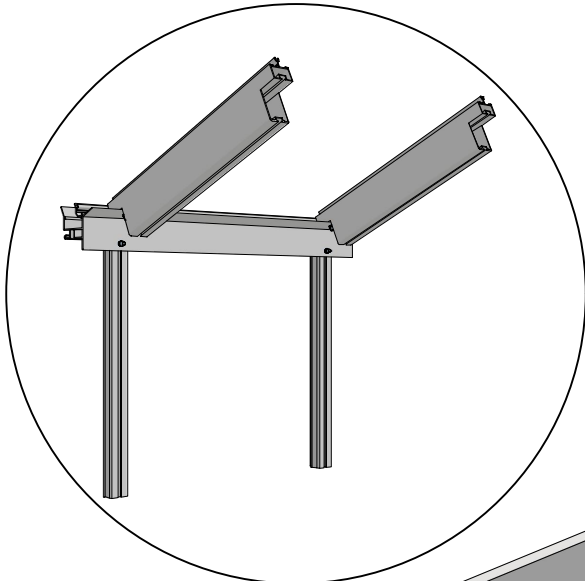
  = 4,8x16

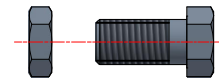
Ø = 4mm

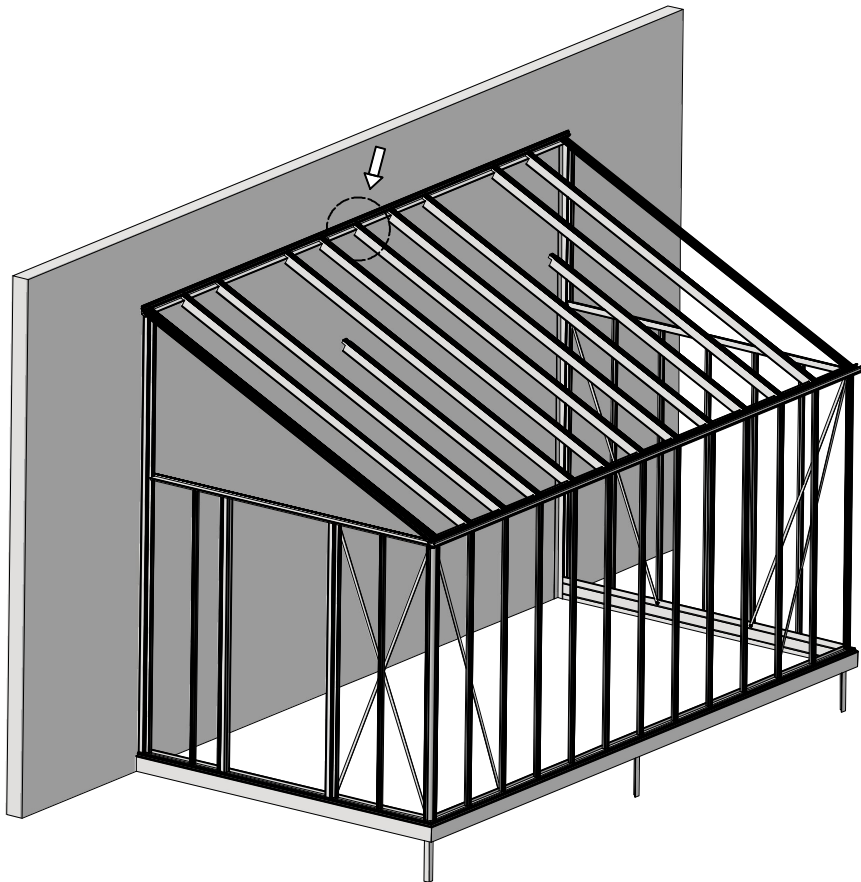
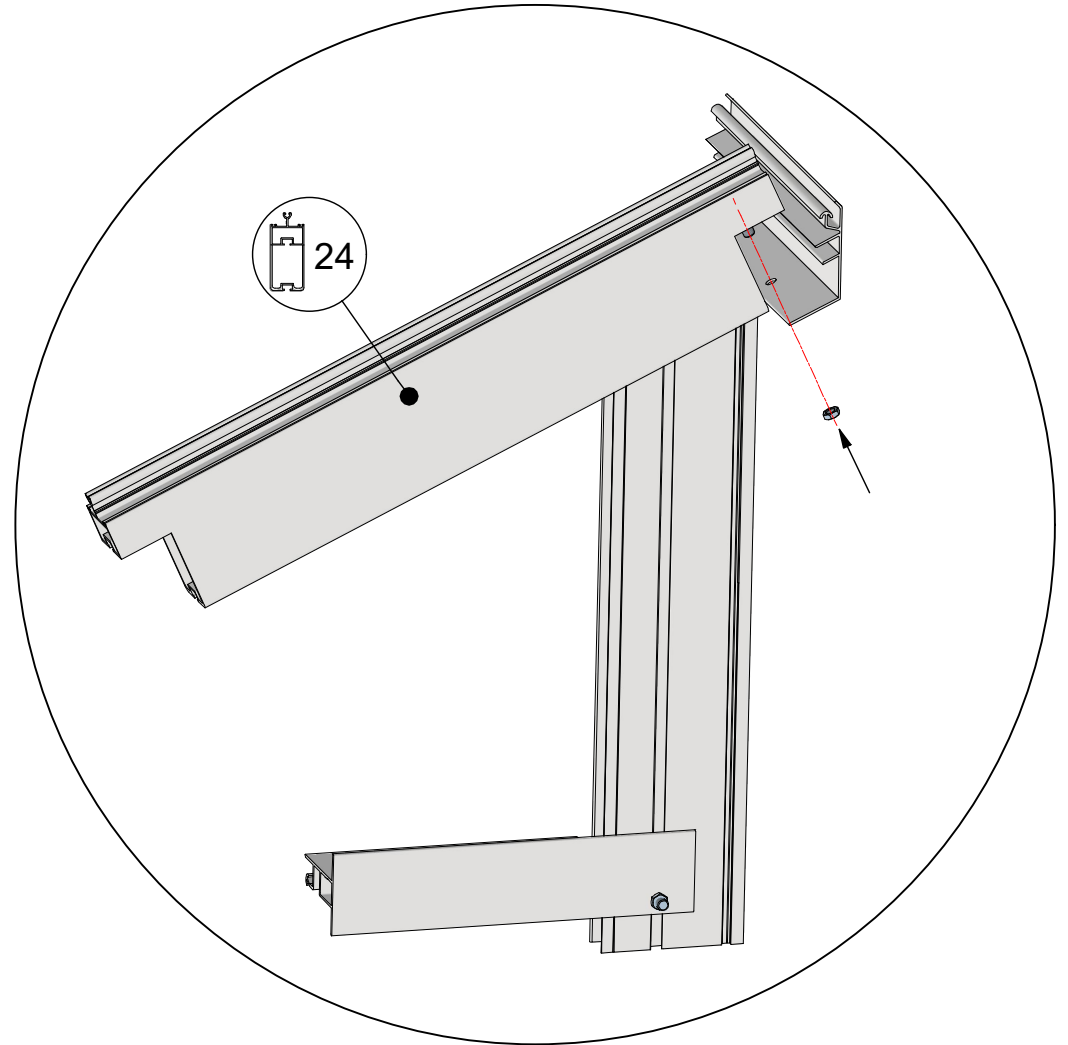
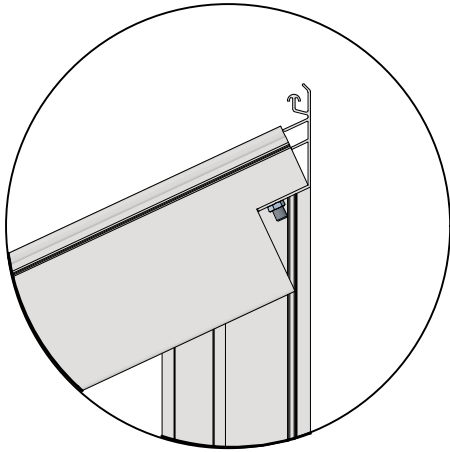


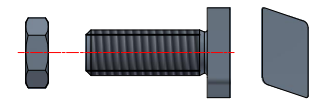
20

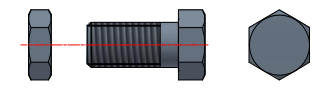
 = M6x12

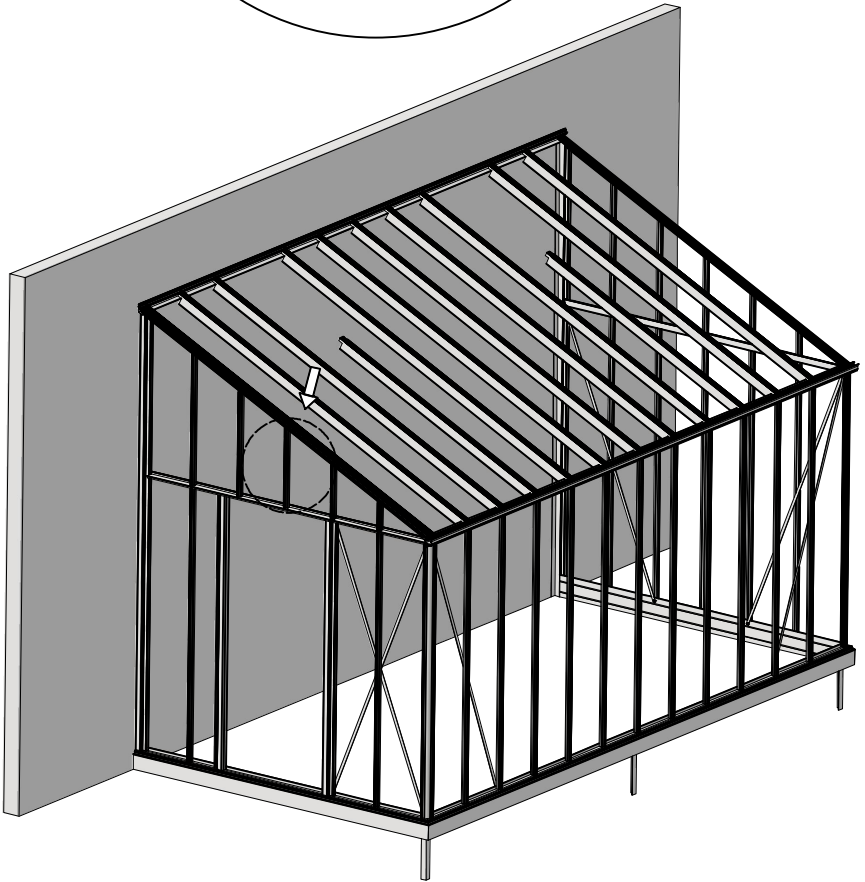
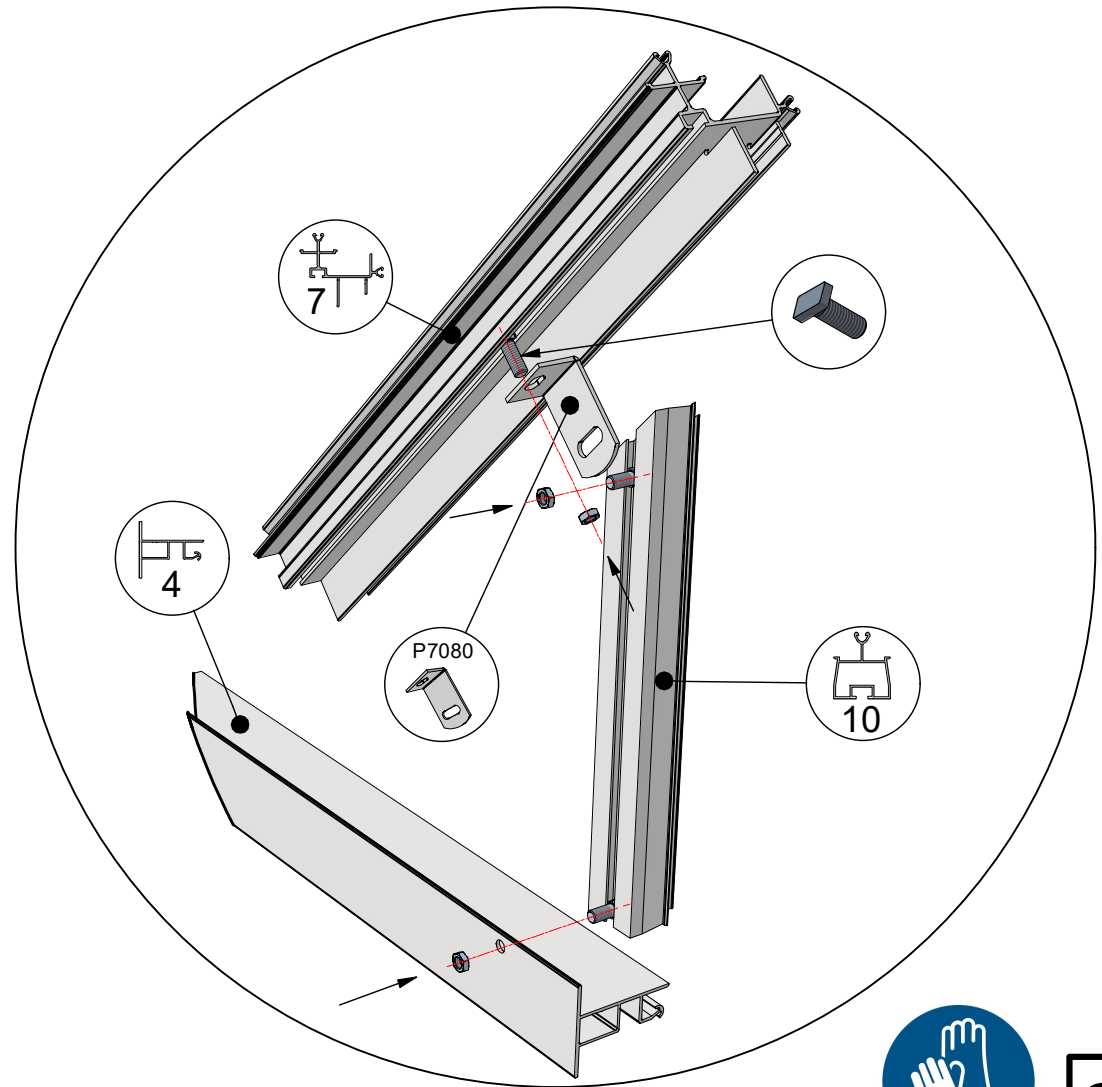
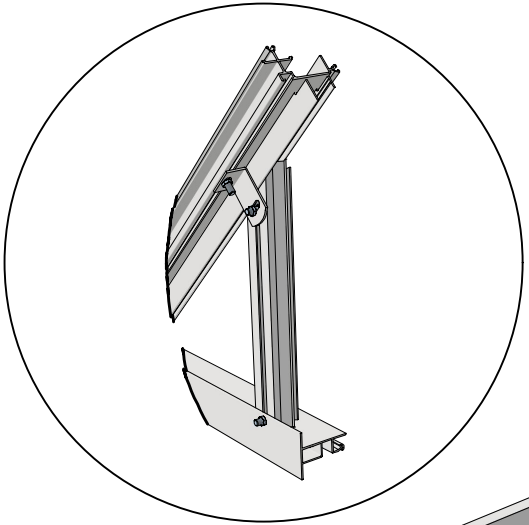


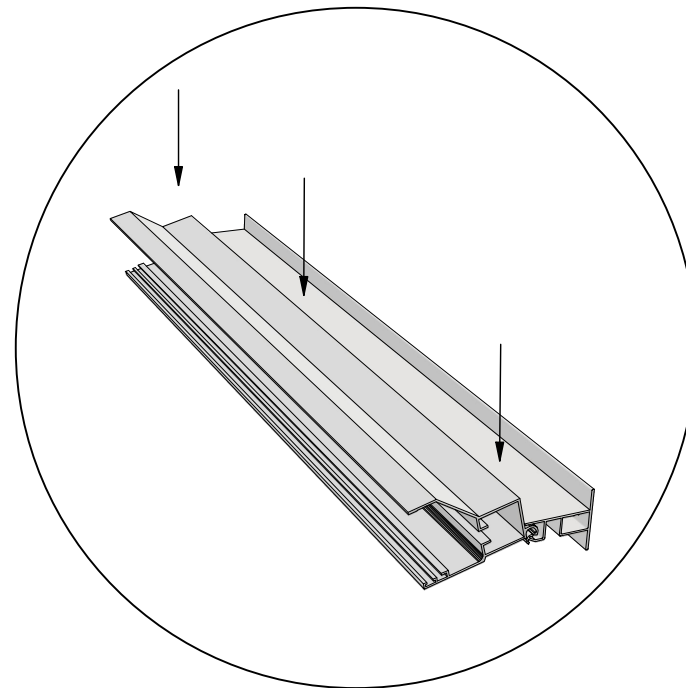
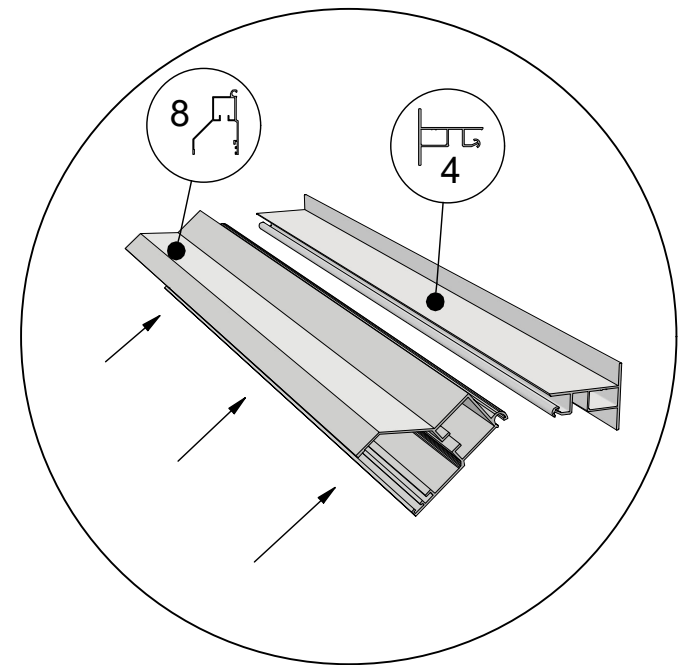
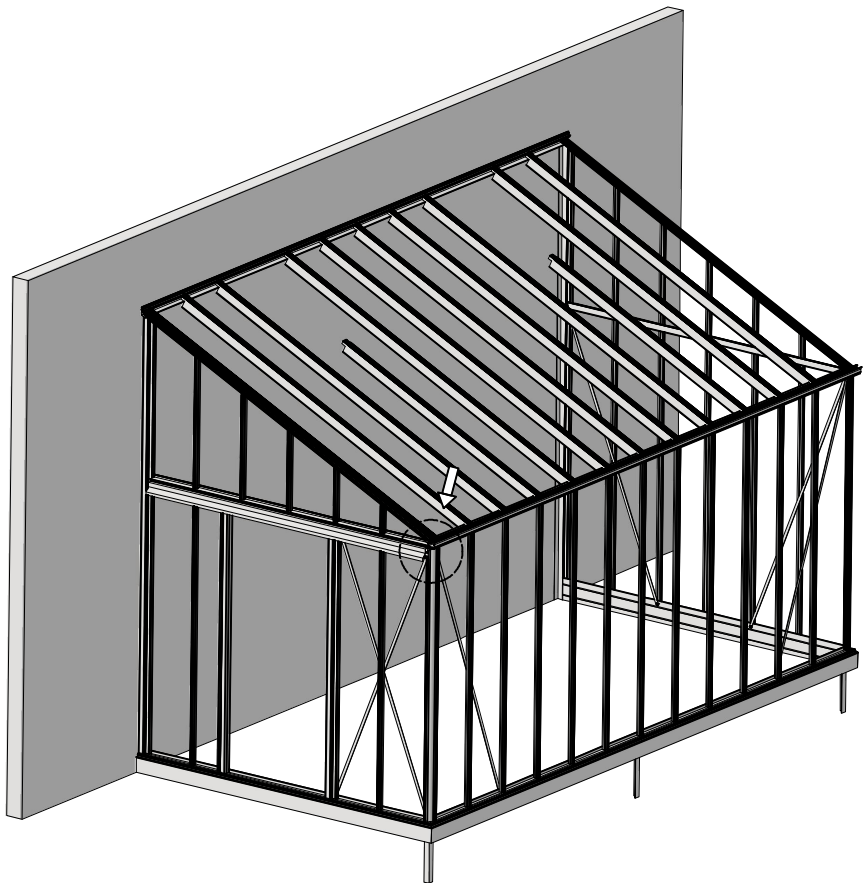
 = M6x12

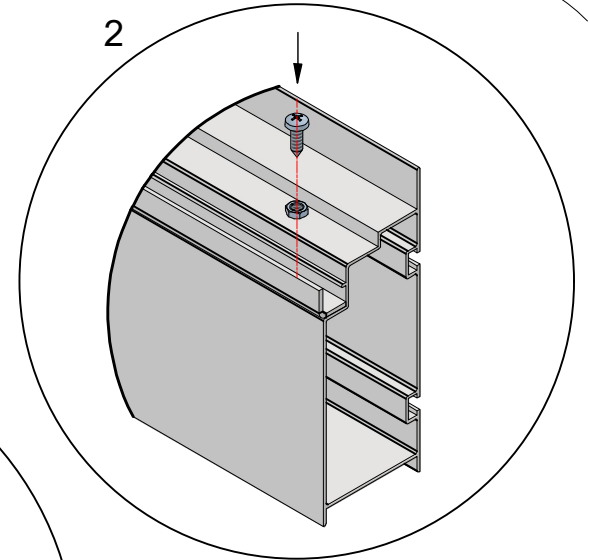
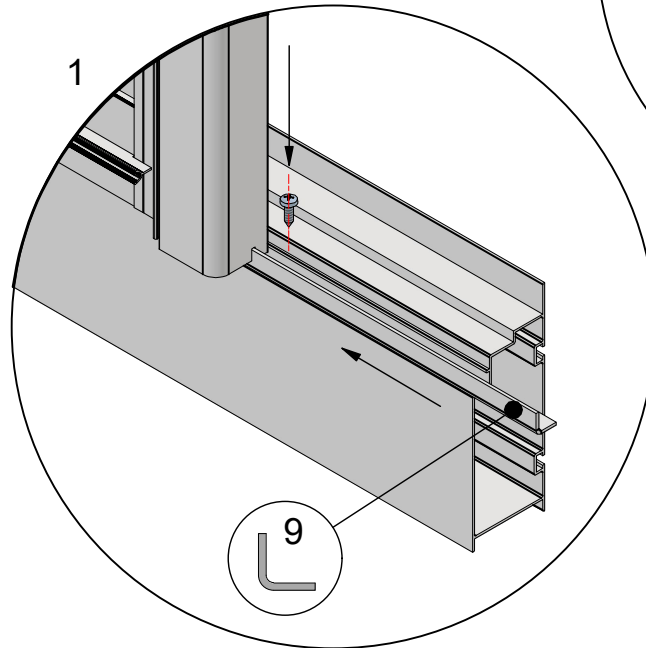
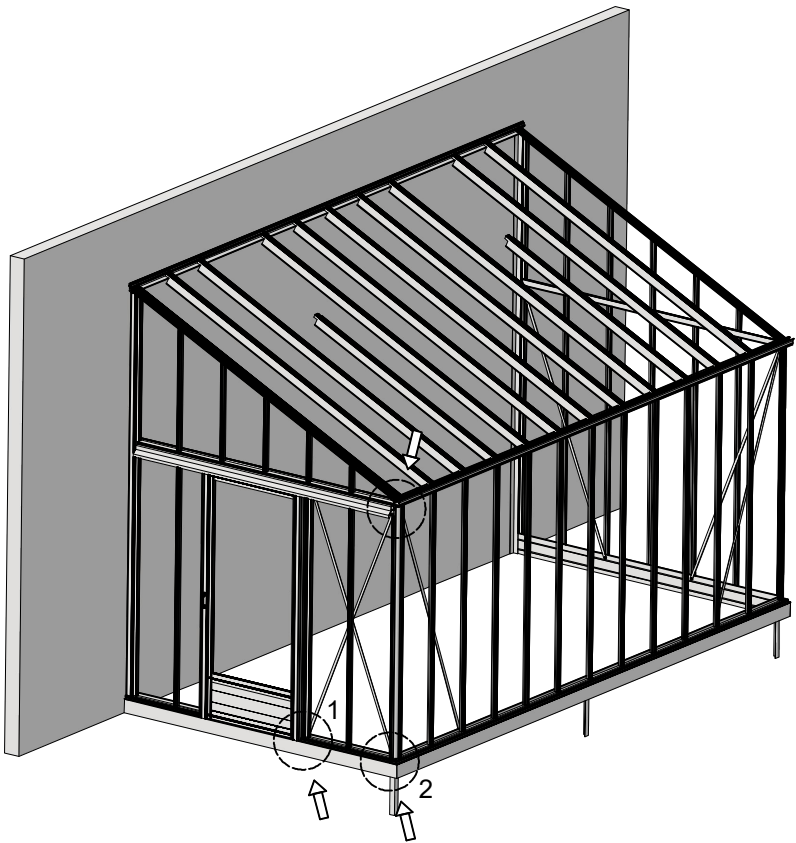
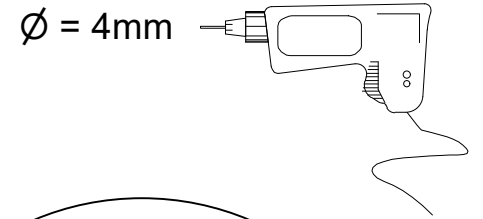
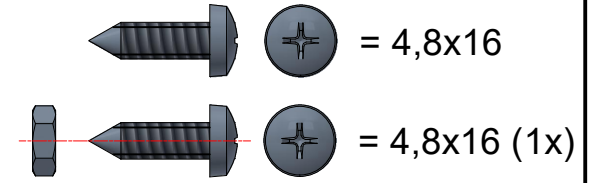
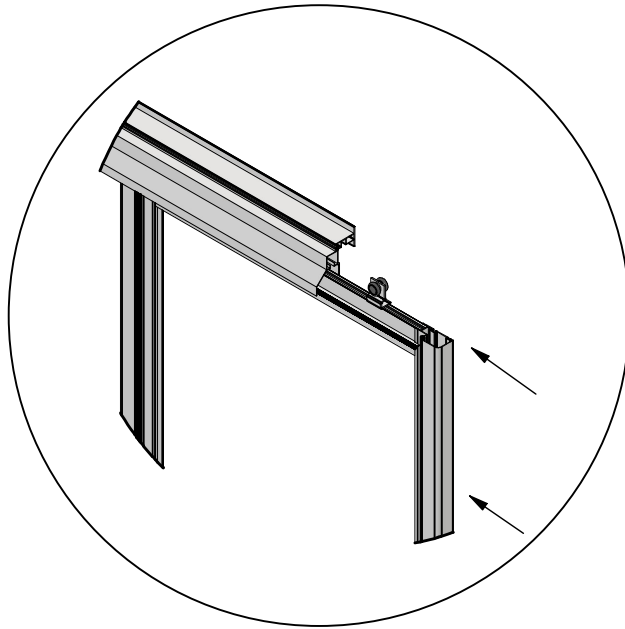
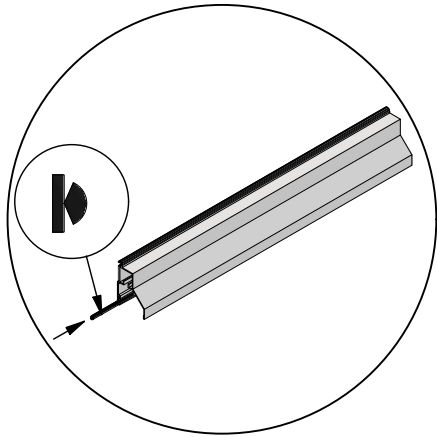


 = M6x16

 = M6x12





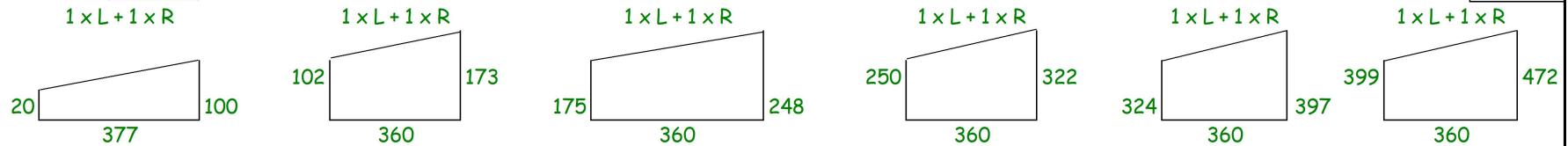


Glass Dimensions Nv Euro-serre Muurserre special 2,33m 11° GlassH: 1650

Glass Size 730mm	Sides			Size Length x Wide			Roof	Size Length x Wide			m ²	m ²
	1650 x 360	1650 x 205	1250 x 730				2332 x 360	1492 x 360	825 x 730			
Muurserre special 2,33m x 3,09m	17	1	1				6	2	1		11,3	6,7
Muurserre special 2,33m x 3,80m	19	1	1				6	4	2		12,5	8,4
Muurserre special 2,33m x 4,57m	21	1	1				8	4	2		13,7	10,1
Muurserre special 2,33m x 5,30m	23	1	1				8	6	3		14,9	11,7
Muurserre special 2,33m x 6,04m	25	1	1				10	6	3		16,1	13,4
Muurserre special 2,33m x 6,77m	27	1	1				12	6	3		17,3	15,1
Muurserre special 2,33m x 7,53m	29	1	1				14	6	3		18,5	16,8
Muurserre special 2,33m x 8,30m	31	1	1				14	8	4		19,7	18,5

Points

1,24 m²

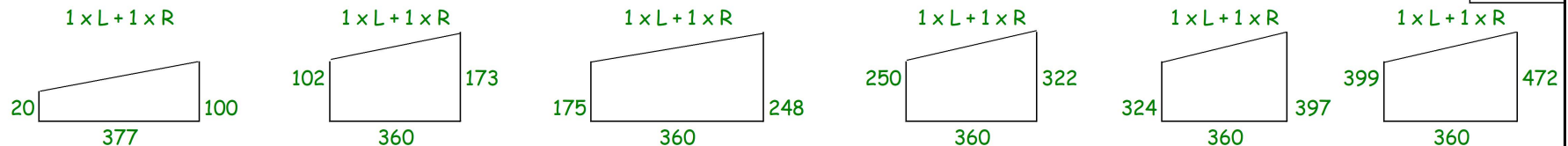


Glass Dimensions Nv Euro-serre Muurserre special 2,33m 11° GlassH: 1850

Glass Size 730mm	Sides			Size Length x Wide			Roof	Size Length x Wide			m ²	m ²
	1850 x 360	1850 x 205	1450 x 730				2332 x 360	1492 x 360	825 x 730			
Muurserre special 2,33m x 3,09m	17	1	1				6	2	1		12,8	6,7
Muurserre special 2,33m x 3,80m	19	1	1				6	4	2		14,1	8,4
Muurserre special 2,33m x 4,57m	21	1	1				8	4	2		15,4	10,1
Muurserre special 2,33m x 5,30m	23	1	1				8	6	3		16,8	11,7
Muurserre special 2,33m x 6,04m	25	1	1				10	6	3		18,1	13,4
Muurserre special 2,33m x 6,77m	27	1	1				12	6	3		19,4	15,1
Muurserre special 2,33m x 7,53m	29	1	1				14	6	3		20,8	16,8
Muurserre special 2,33m x 8,30m	31	1	1				14	8	4		22,1	18,5

Points

1,24 m²

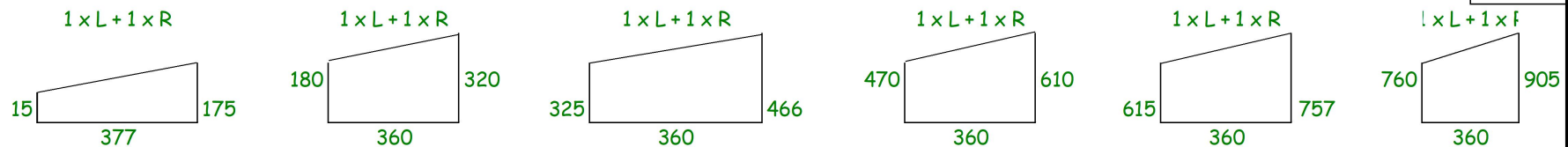


Opgemaakt op 25-10-2018

Glass Dimensions Nv Euro-serre Muurserre special 2,33m 25° GlassH: 1650

Glass Size 730mm	Sides			Size Lenght x Wide			Roof			Poly		
	1650 x 360	1650 x 205	1250 x 730		2465 x 360	1635 x 360	825 x 730	2465 x 360	1635 x 360	m ²	m ²	
Muurserre special 2,33m x 3,09m	17	1	1		6	2	1 or 1	6	2	11,3	7,1	
Muurserre special 2,33m x 3,80m	19	1	1		6	4	2 or 2	6	4	12,5	8,9	
Muurserre special 2,33m x 4,57m	21	1	1		8	4	2 or 2	8	4	13,7	10,7	
Muurserre special 2,33m x 5,30m	23	1	1		8	6	3 or 3	8	6	14,9	12,4	
Muurserre special 2,33m x 6,04m	25	1	1		10	6	3 or 3	10	6	16,1	14,2	
Muurserre special 2,33m x 6,77m	27	1	1		12	6	3 or 3	12	6	17,3	16,0	
Muurserre special 2,33m x 7,53m	29	1	1		14	6	3 or 3	14	6	18,5	17,8	
Muurserre special 2,33m x 8,30m	31	1	1		14	8	4 or 4	14	8	19,7	19,5	

Points

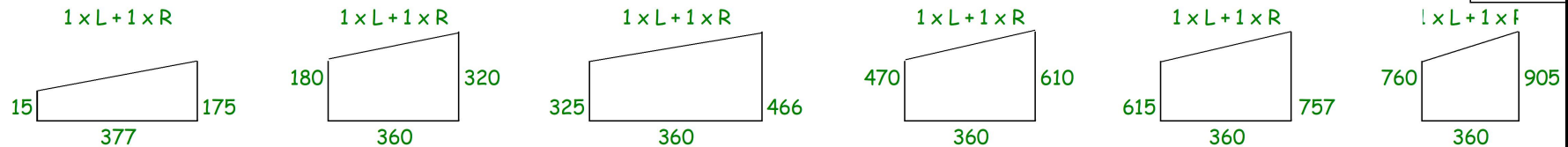


2,33 m²

Glass Dimensions Nv Euro-serre Muurserre special 2,33m 25° GlassH: 1850

Glass Size 730mm	Sides			Size Lenght x Wide			Roof			Poly		
	1850 x 360	1850 x 205	1450 x 730		2465 x 360	1635 x 360	825 x 730	2465 x 360	1635 x 360	m ²	m ²	
Muurserre special 2,33m x 3,09m	17	1	1		6	2	1 or 1	6	2	12,8	7,1	
Muurserre special 2,33m x 3,80m	19	1	1		6	4	2 or 2	6	4	14,1	8,9	
Muurserre special 2,33m x 4,57m	21	1	1		8	4	2 or 2	8	4	15,4	10,7	
Muurserre special 2,33m x 5,30m	23	1	1		8	6	3 or 3	8	6	16,8	12,4	
Muurserre special 2,33m x 6,04m	25	1	1		10	6	3 or 3	10	6	18,1	14,2	
Muurserre special 2,33m x 6,77m	27	1	1		12	6	3 or 3	12	6	19,4	16,0	
Muurserre special 2,33m x 7,53m	29	1	1		14	6	3 or 3	14	6	20,8	17,8	
Muurserre special 2,33m x 8,30m	31	1	1		14	8	4 or 4	14	8	22,1	19,5	

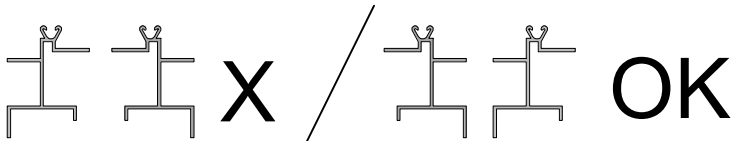
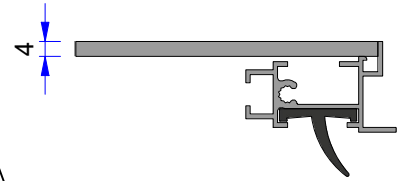
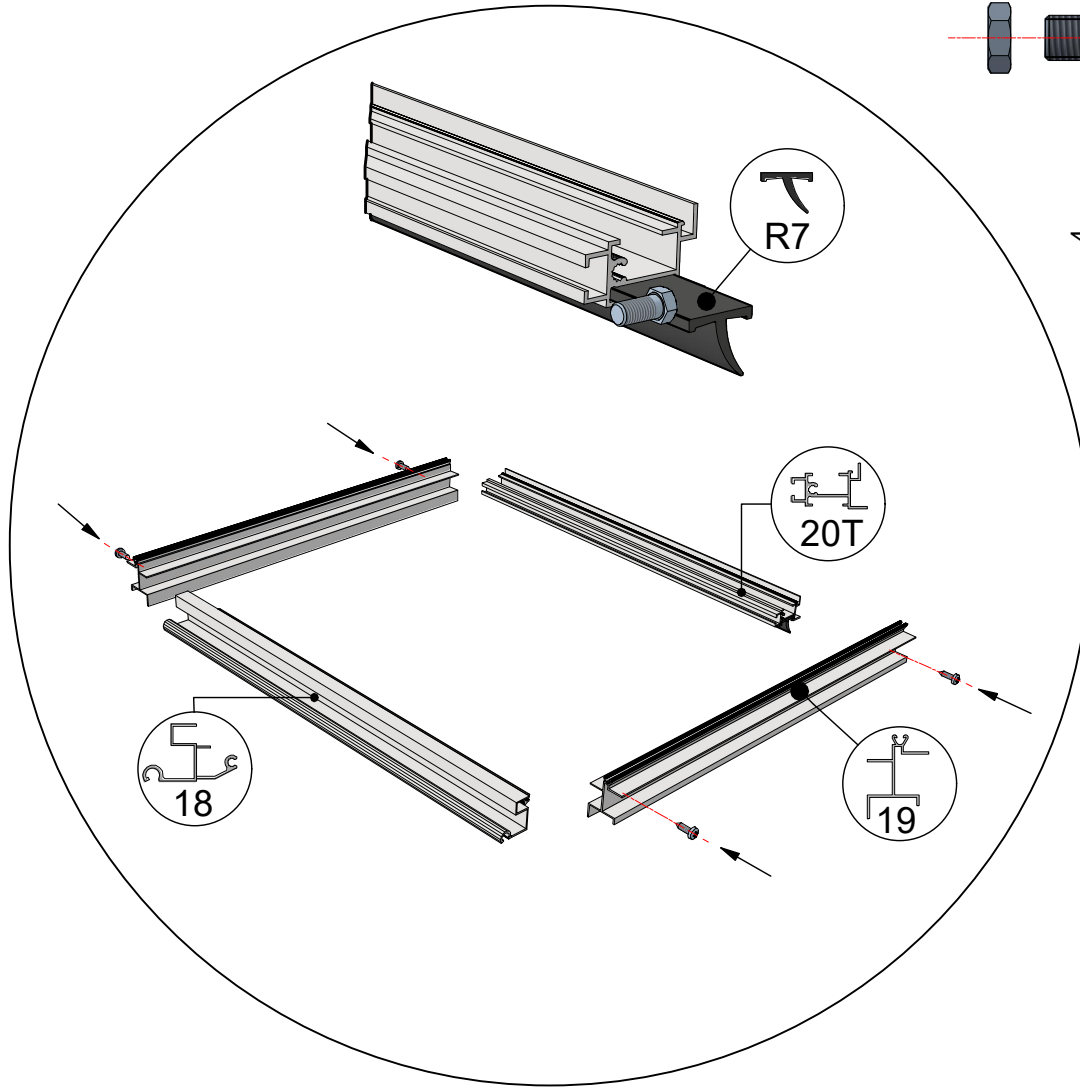
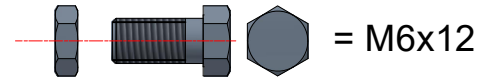
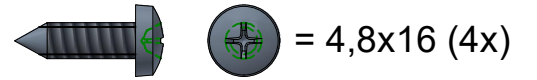
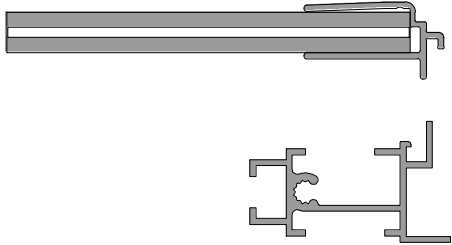
Points

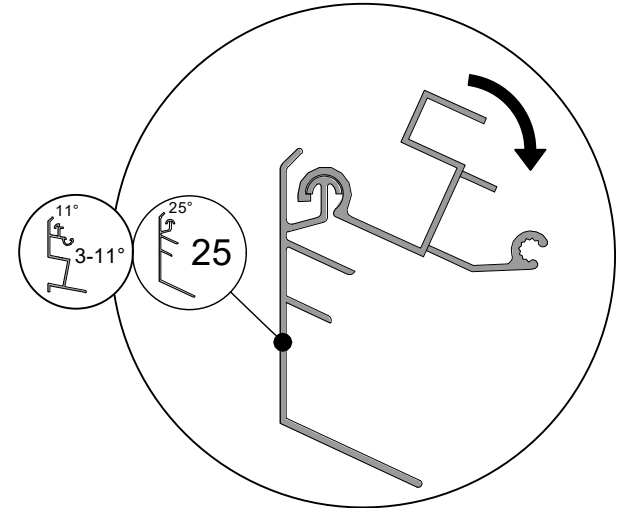
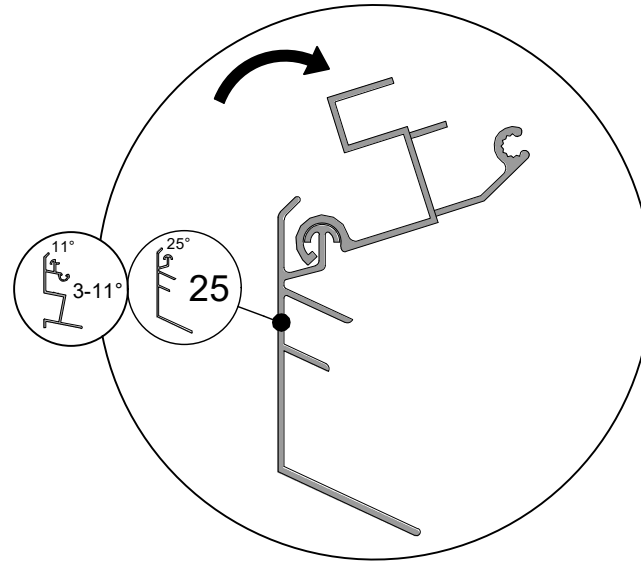
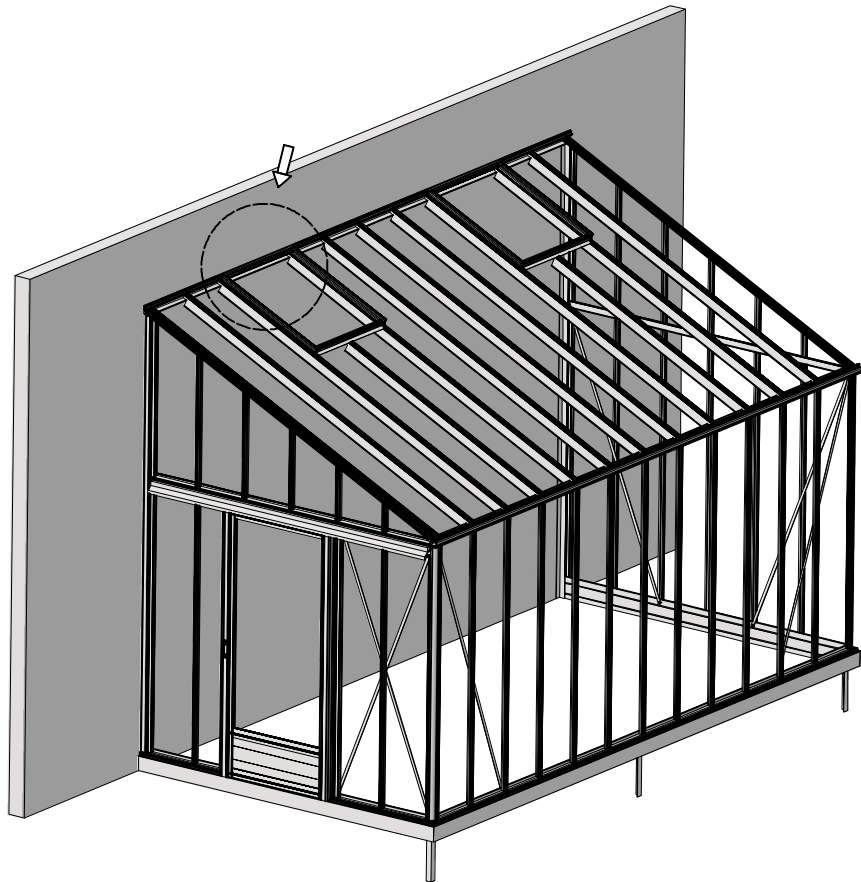


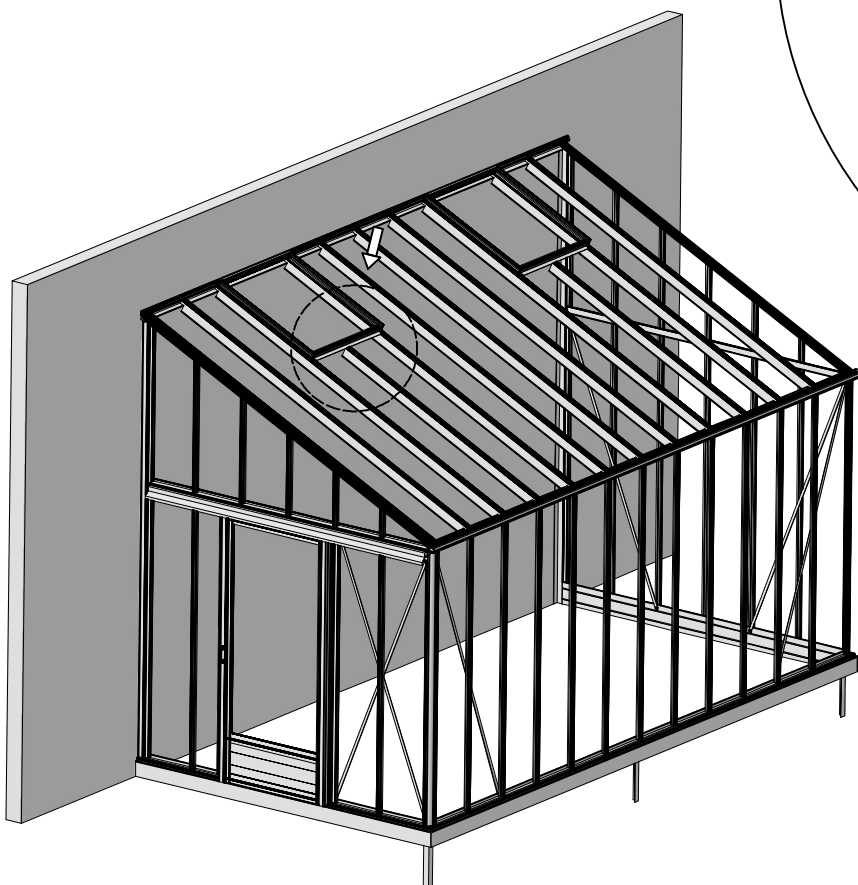
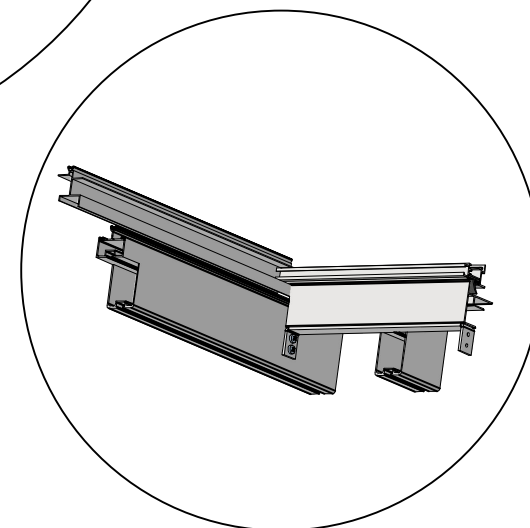
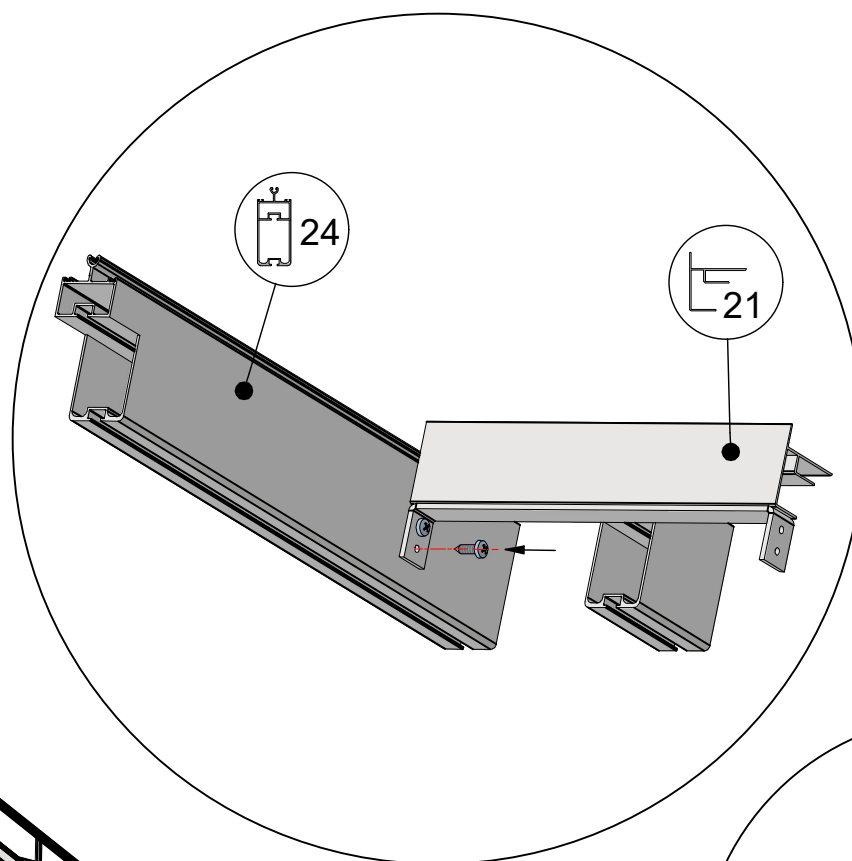
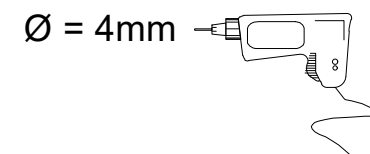
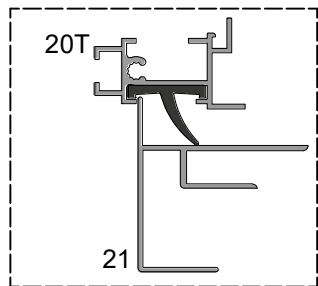
2,33 m²

Opgemaakt op 27-10-2022

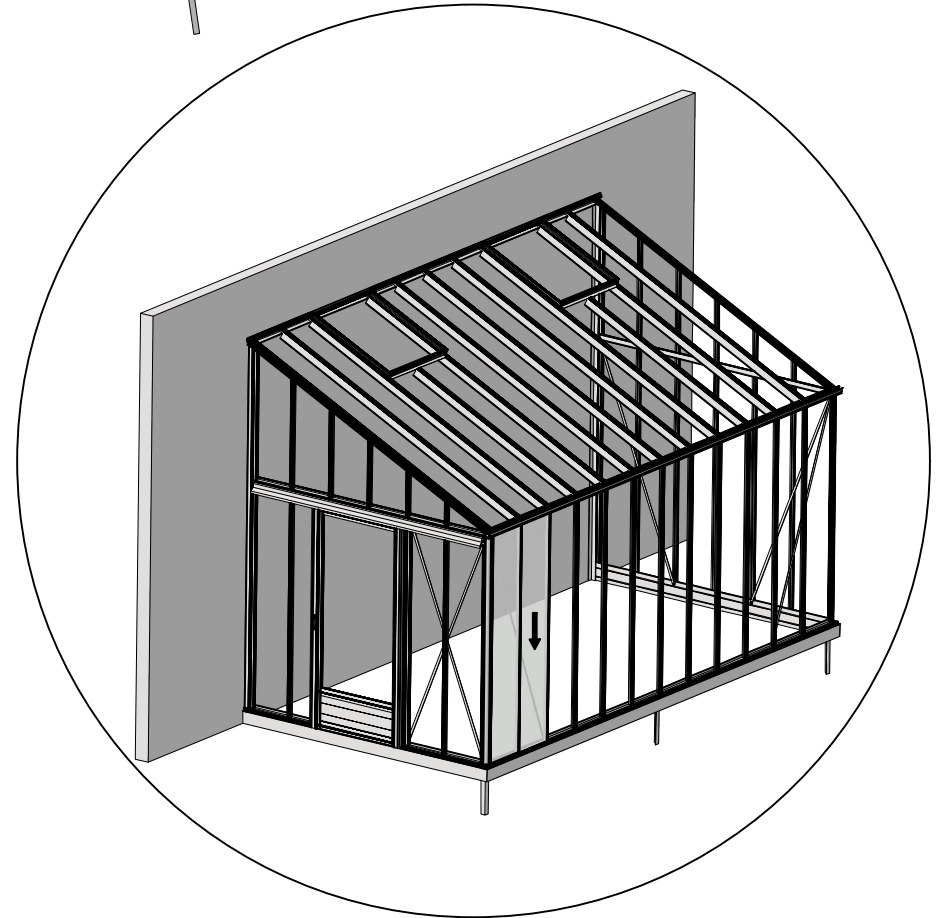
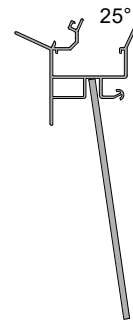
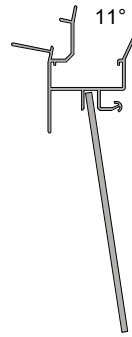
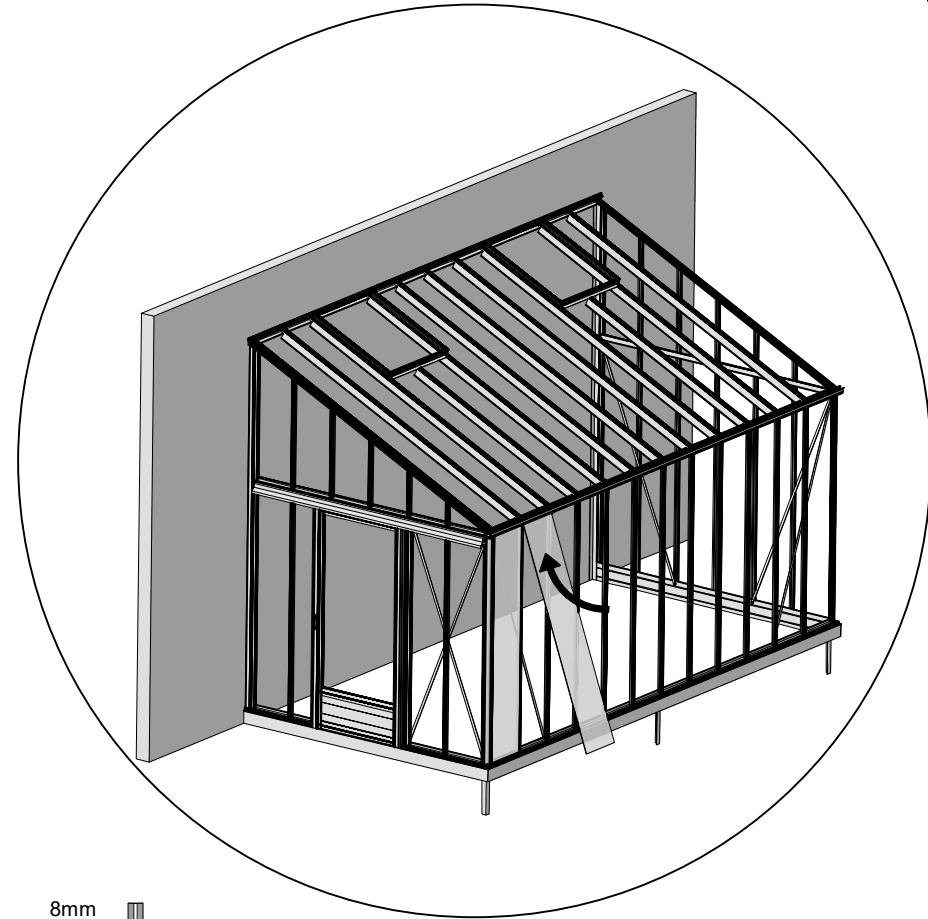
Poly



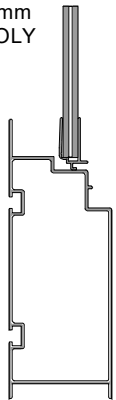




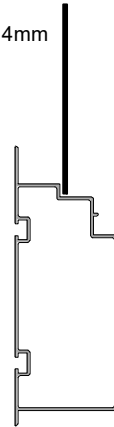
30

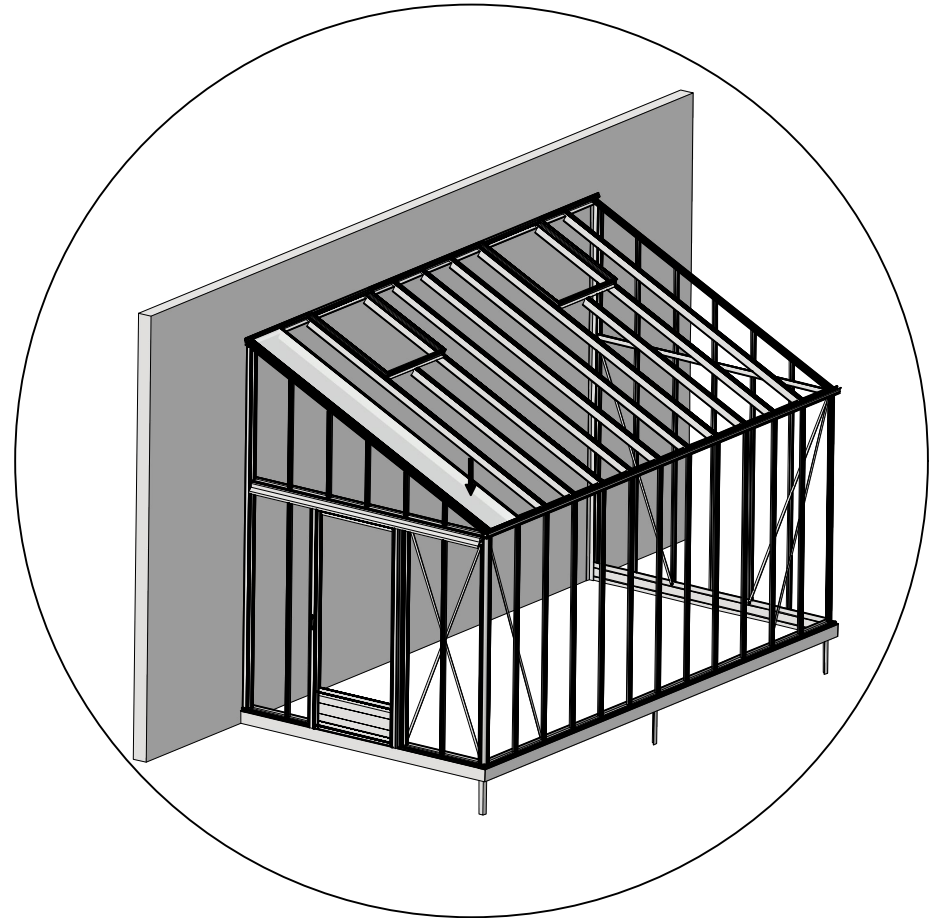
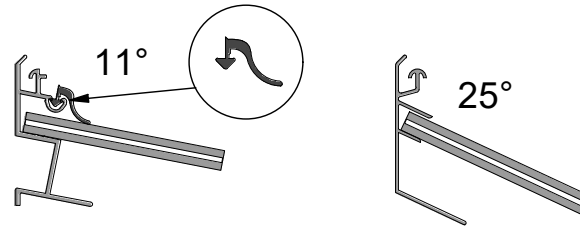
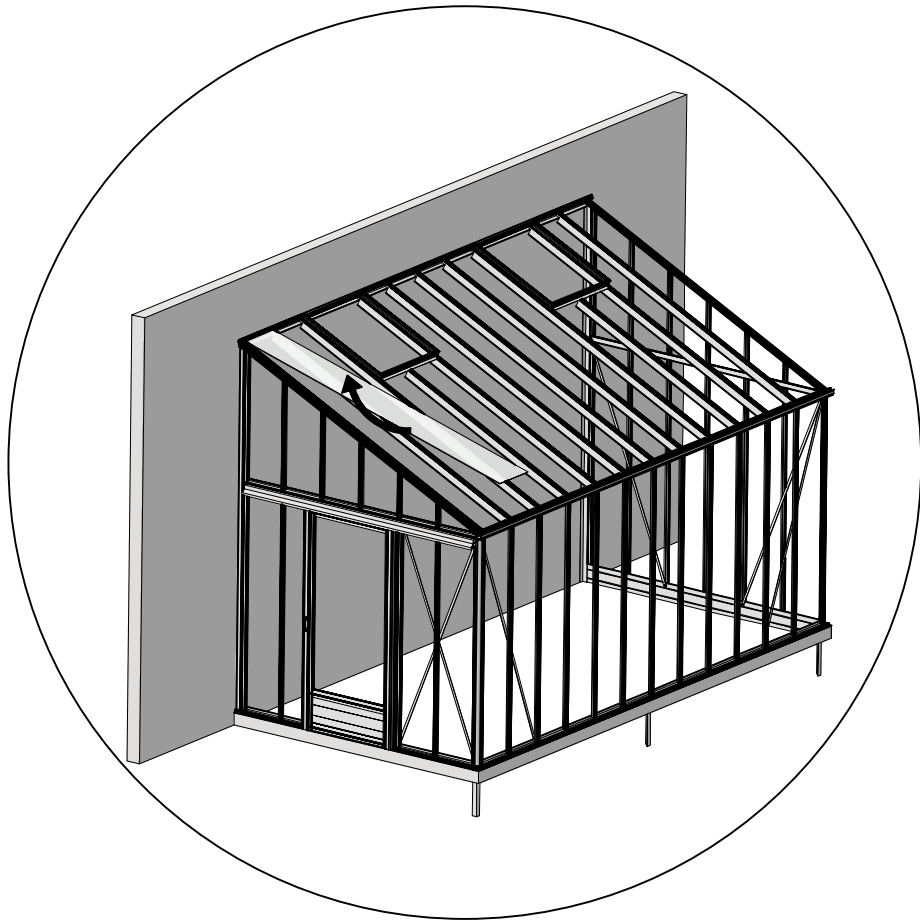


8mm
POLY

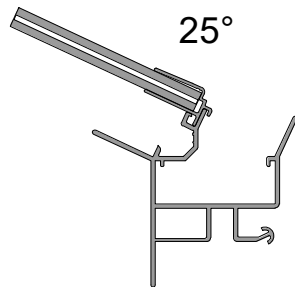
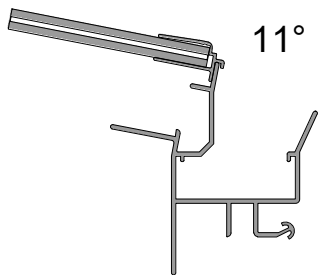


4mm

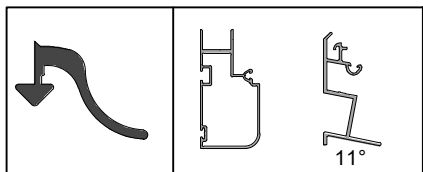
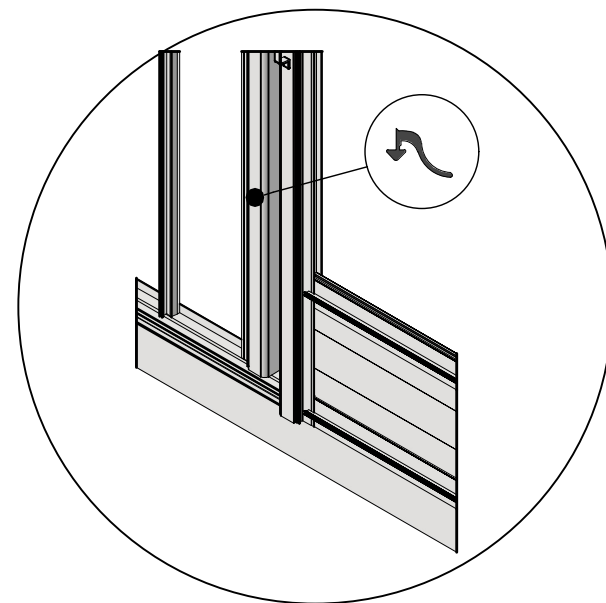
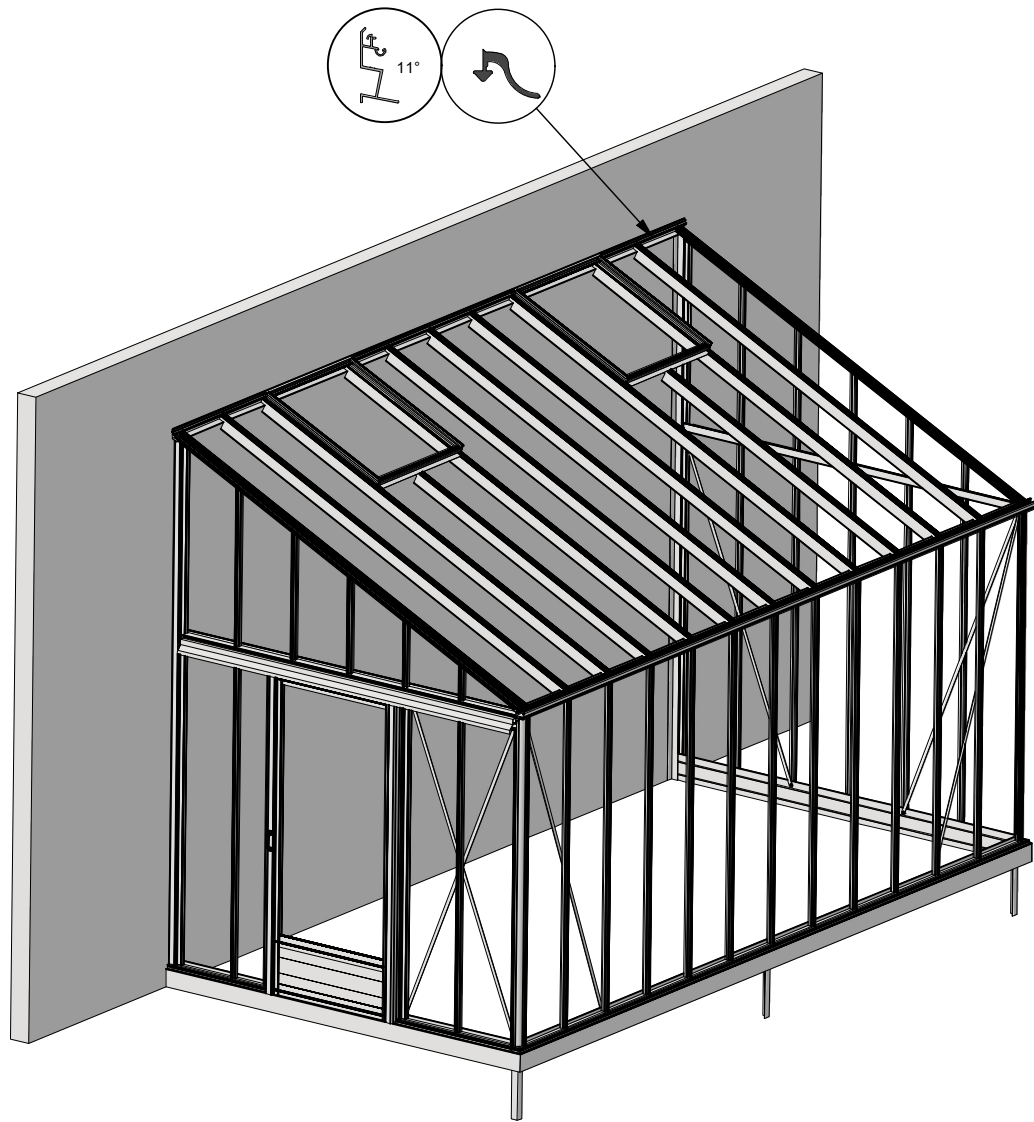


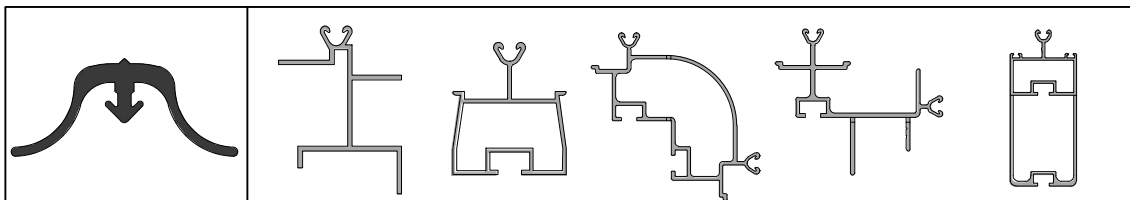
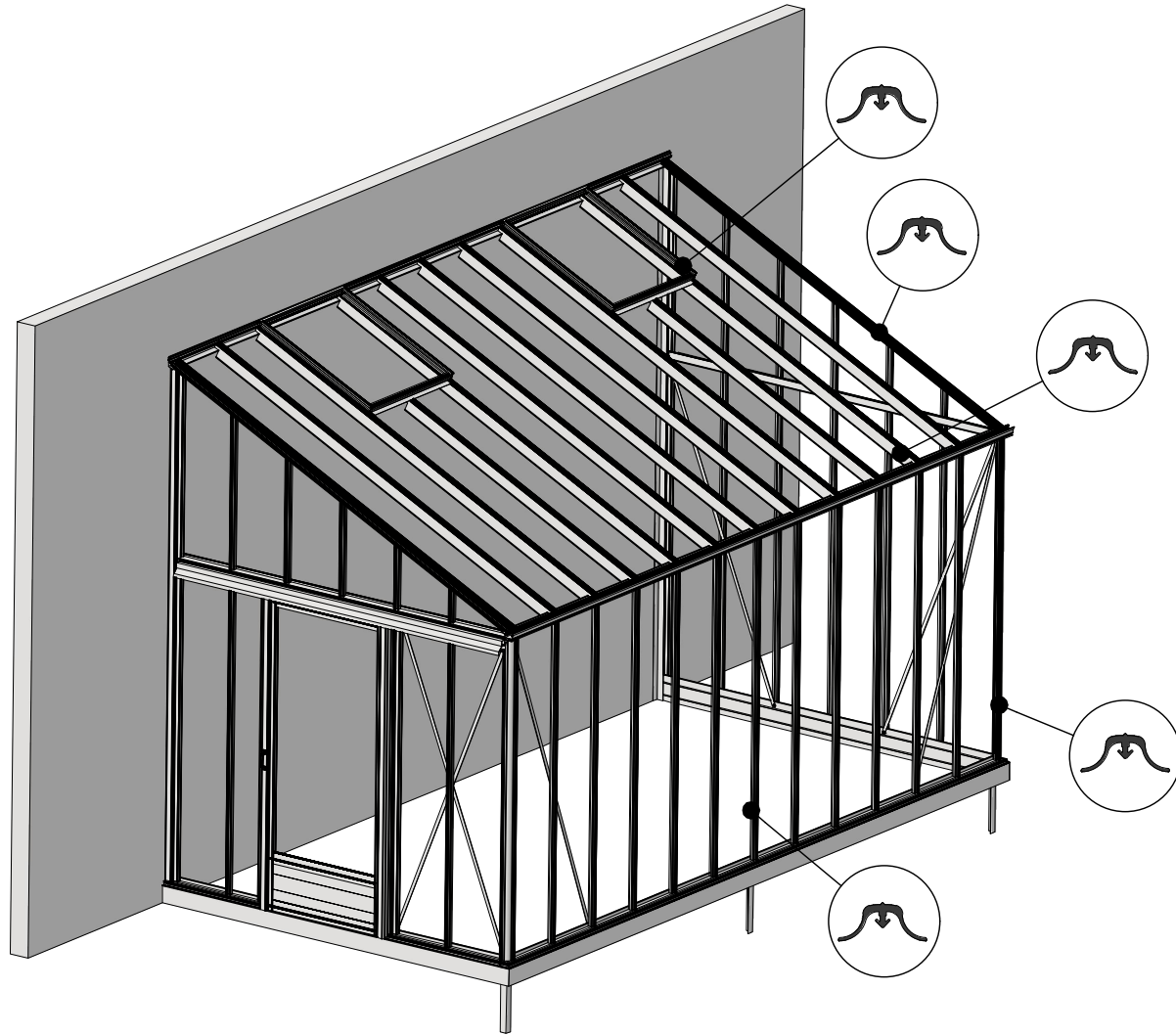


POLY

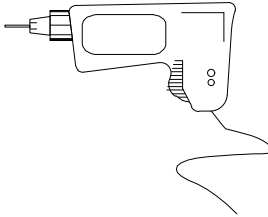


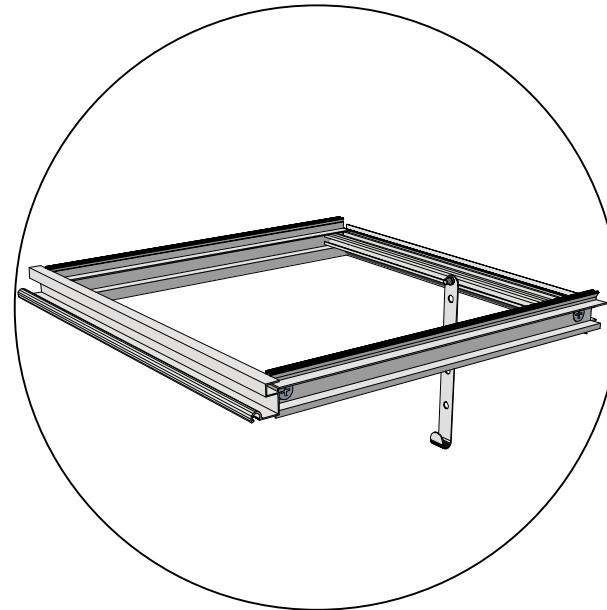
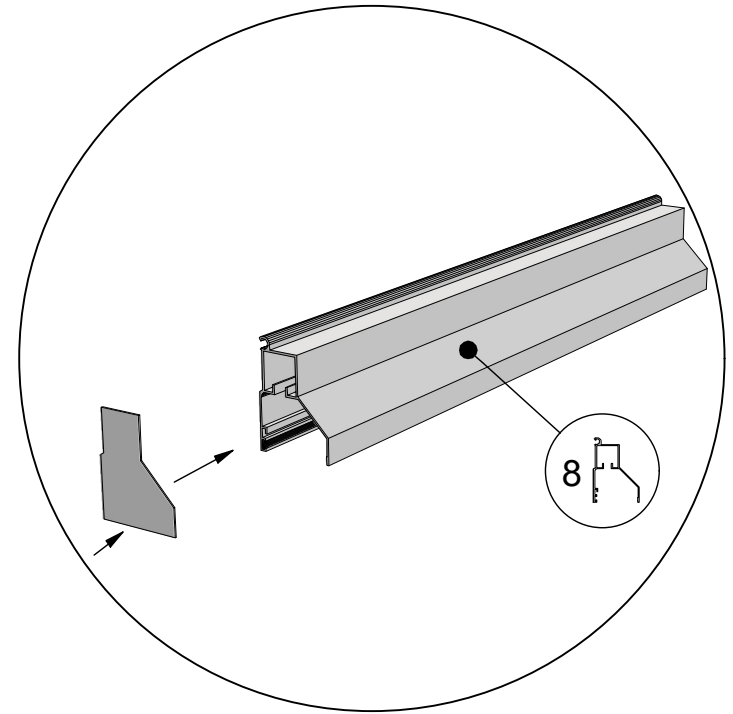
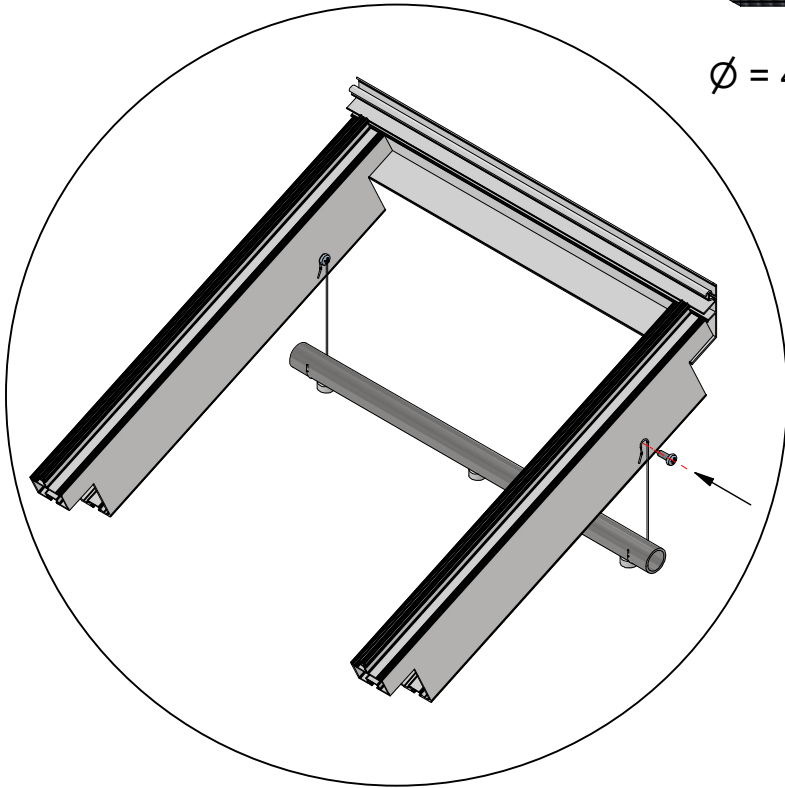


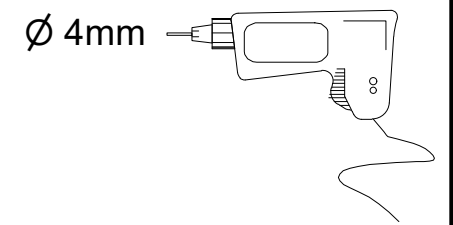
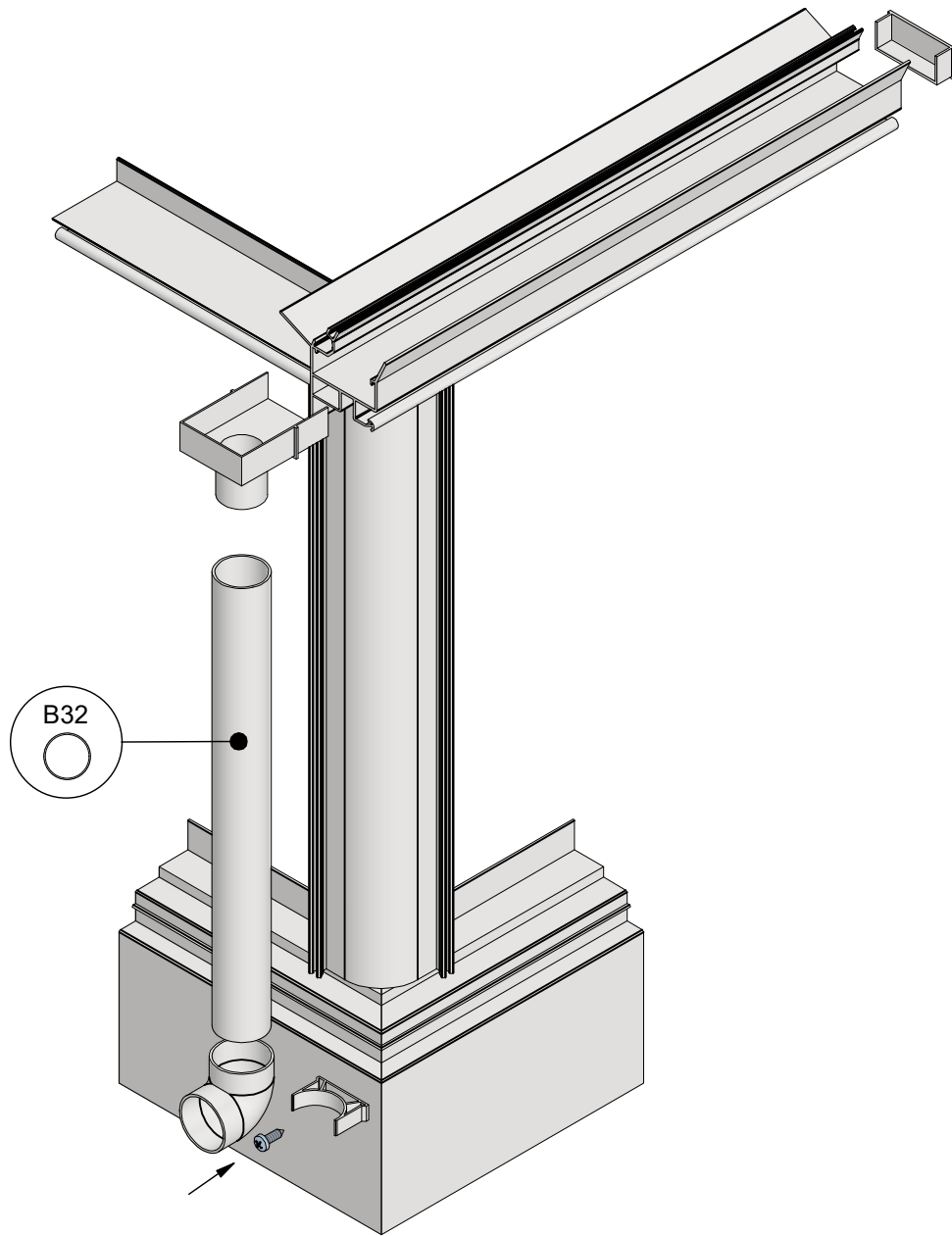




 = 4,8x16

$\varnothing = 4\text{mm}$ 







Geleenlaan 1 - 3600 Genk

ref: Muurserre Special-001 Rev. 05.10.2023

OCBS - 1148-CPR-20231003-989 C E

EN 1090-1 EXC 1

Euro-Muurserre Special

www.euroserre.com/cecertificaten