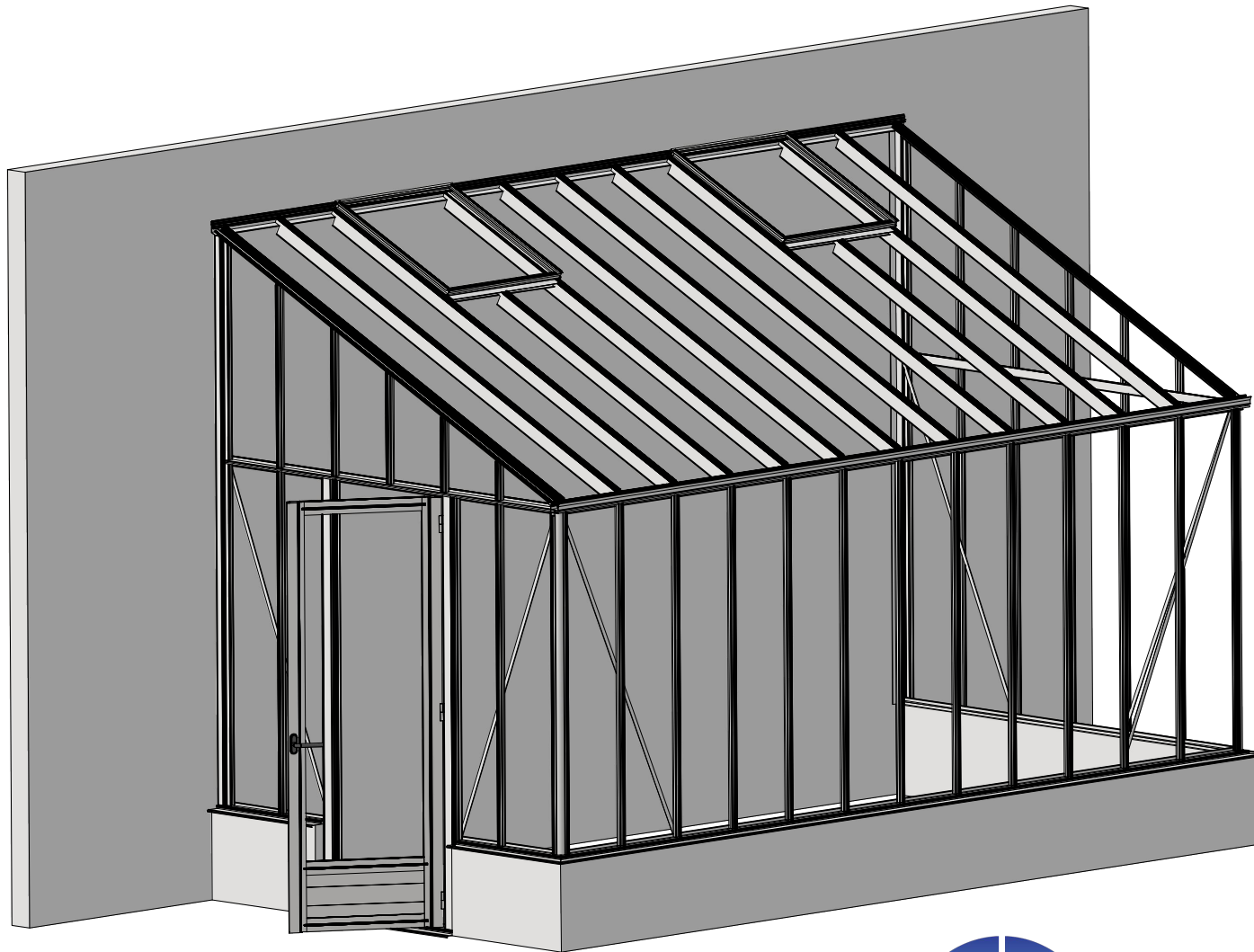
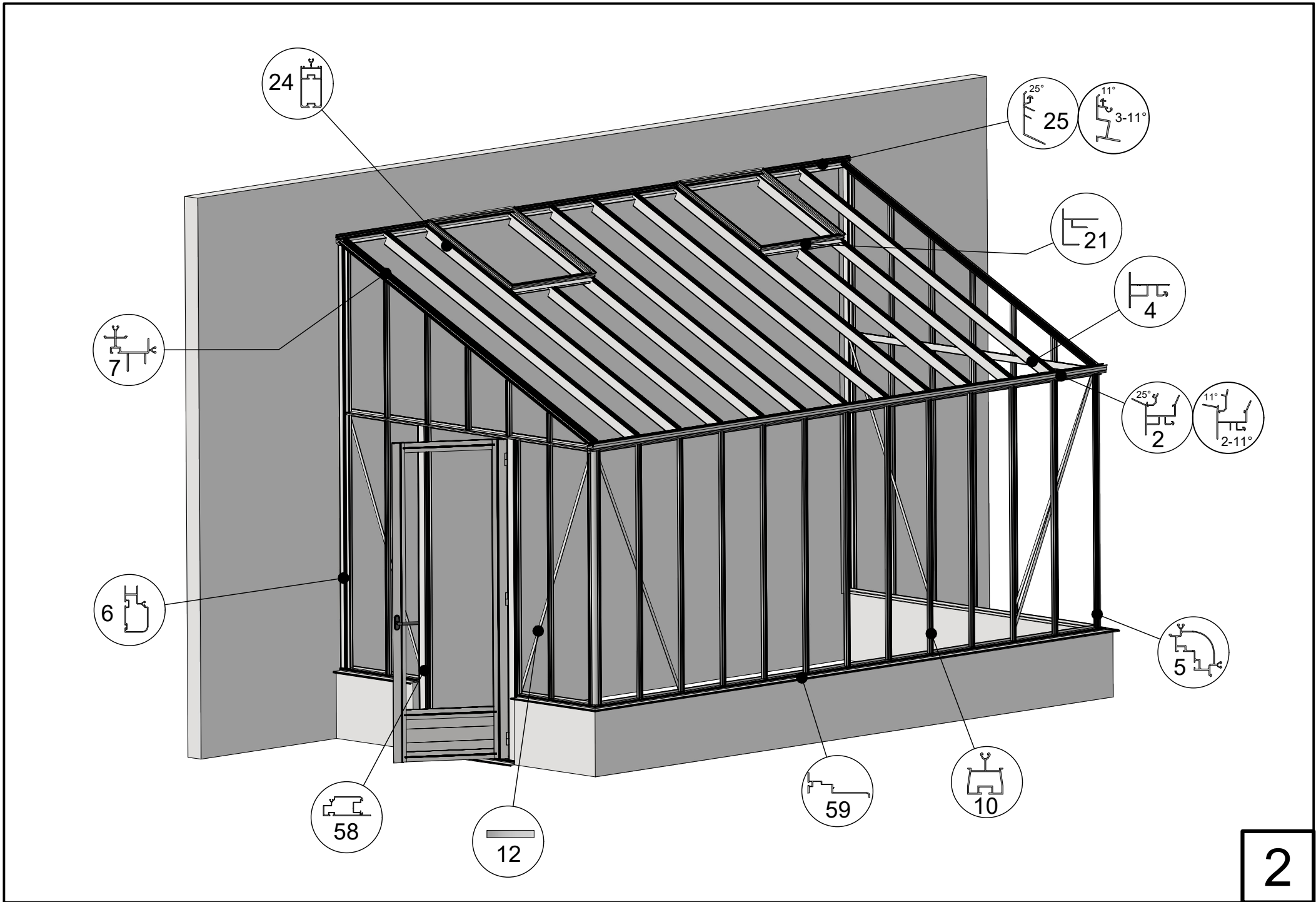

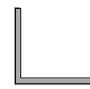

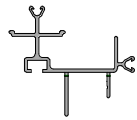
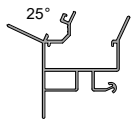
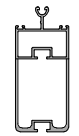

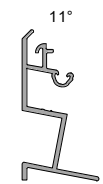
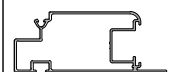
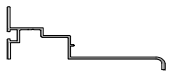
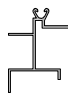
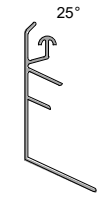
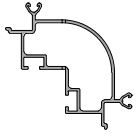
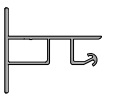

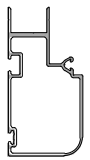

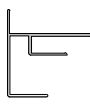


Euro-Muurserre 2,33 Special on wall



08-11-2023



Profile list											
-	NR	Profile NR	-	NR	Profile NR	-	NR	Profile NR	-	NR	Profile NR
	2-11°	7151		17	L40/40/2		12	7070		7	7151
	2	11788		24	10968		18	17542		3-11°	11280
	58	12960		59	9249		19	17543		25	17666
	5	17548		4	17549		20T	28513			
	6	9915		10	17541		21	29577			

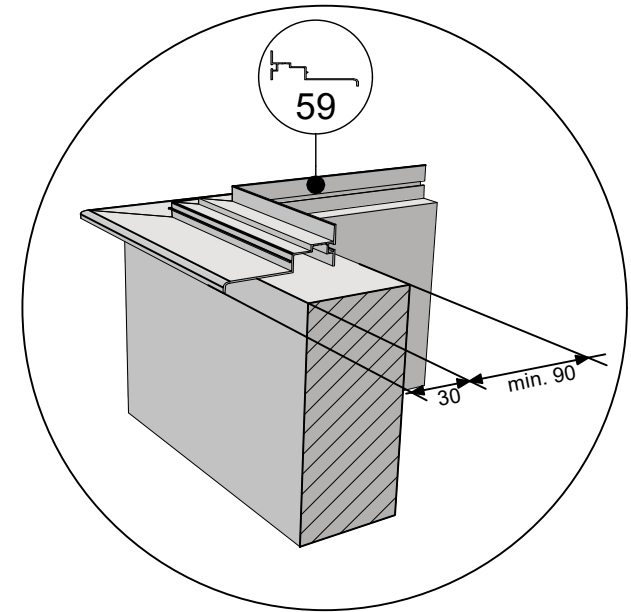
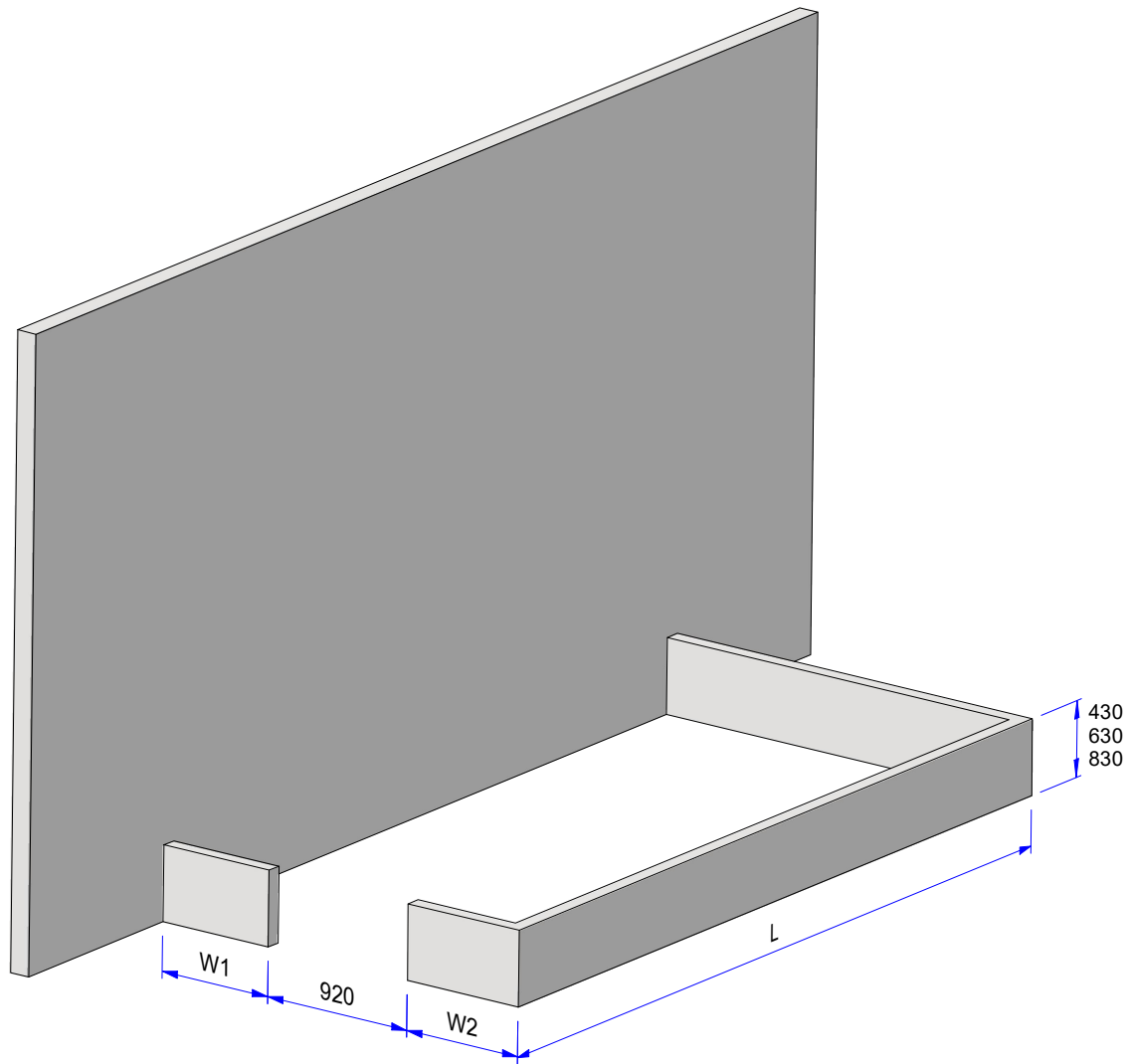
- Attention! Check inside the foundation for more profiles.
- Please fasten screws and nuts hand-tight.

- Achtung! Prüfen sie das fundament für weitere profile.
- Schraube und Mutter bitte handfest festziehen.

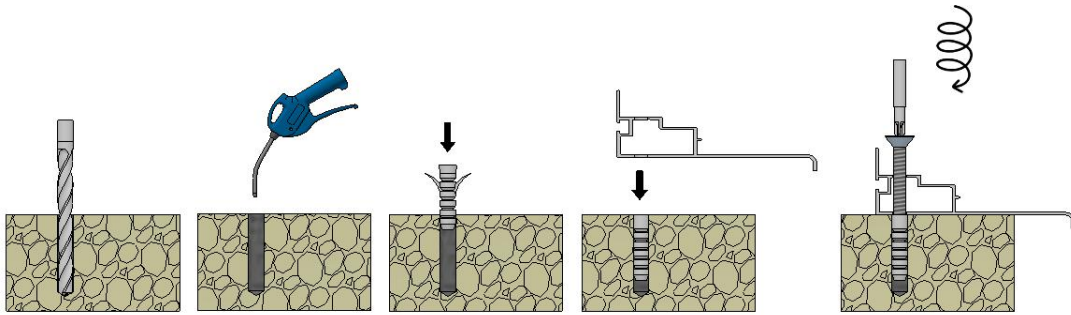
- Opgelet! kijk in de fundering voor andere profielen.
- Bout en moer a.u.b. handvast aandraaien.


- Attention! Regarde à l'intérieur du fondation pour plussier profils.
- Serrez les écrous et vis à la main s.v.p.

- Observera at en del profiler ligger i sockelprofilen!!
- Dra åt skruven och muttern handfast.




W1	W2	L
696	733	2385
		3122
		3859
		4596
		5333
		6070
		6807
		7544
		8281
		9018

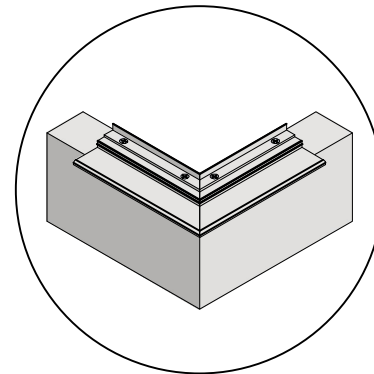
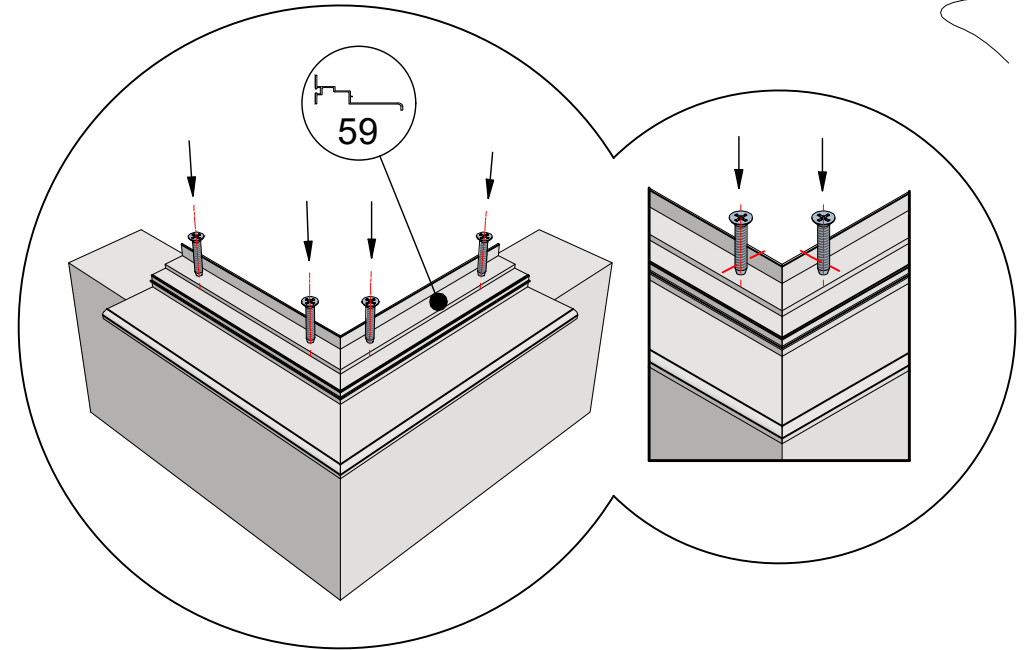
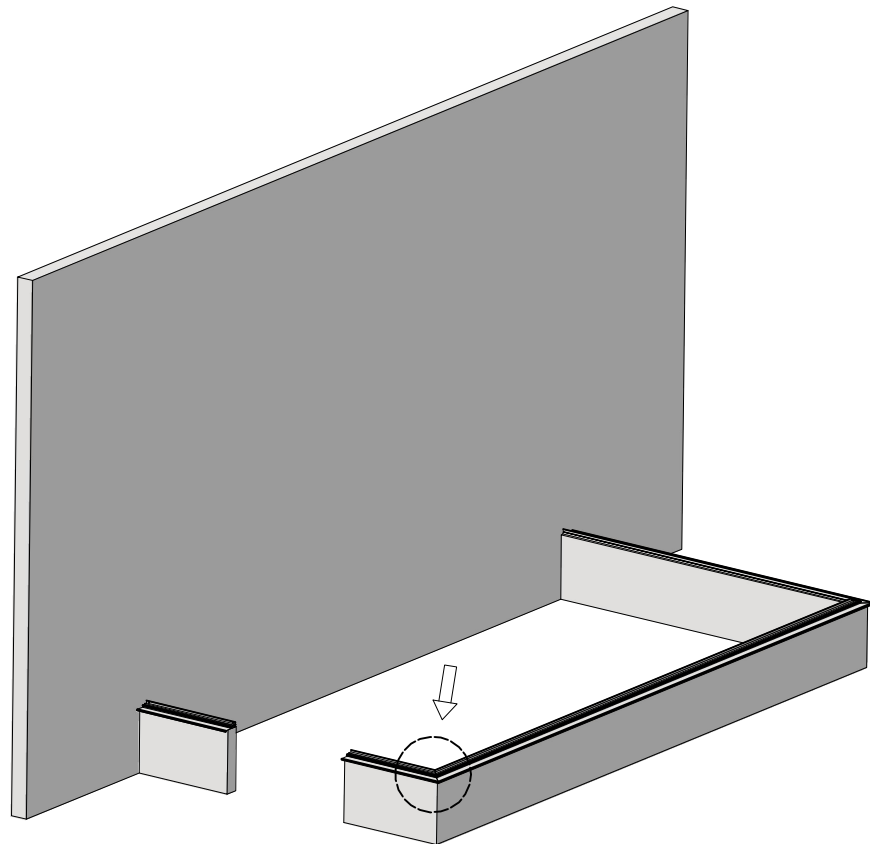
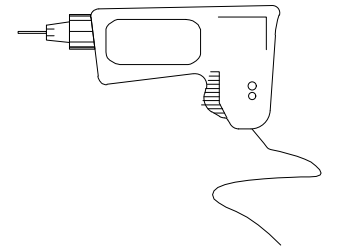


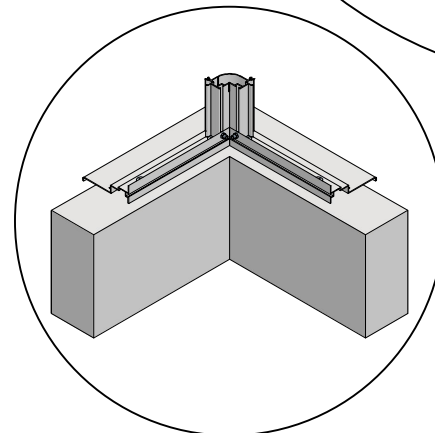
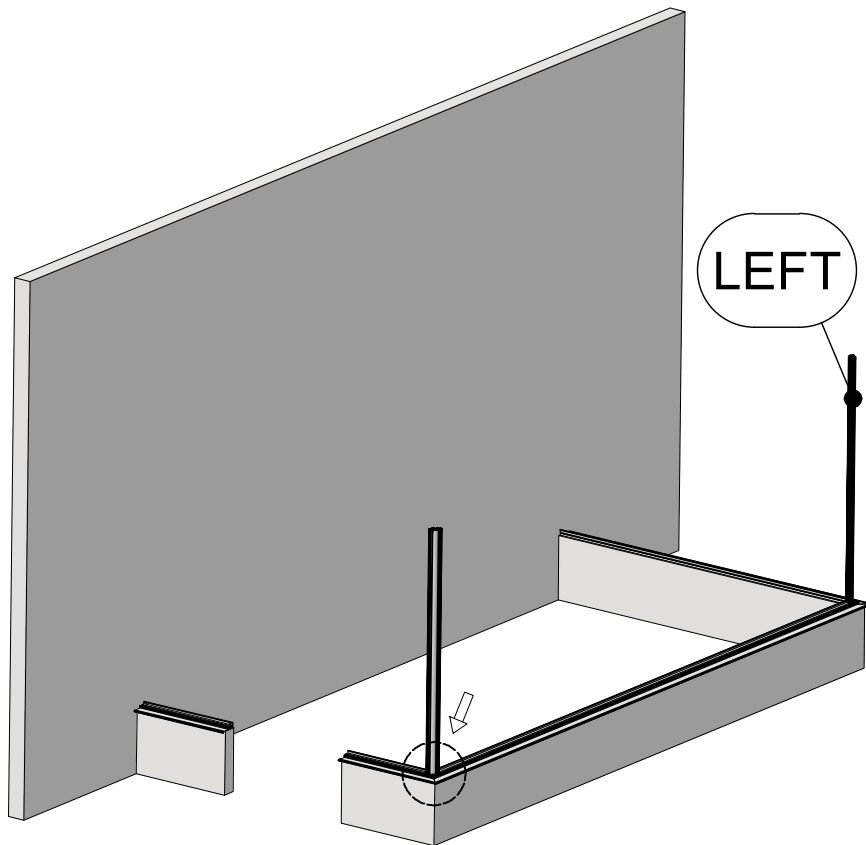
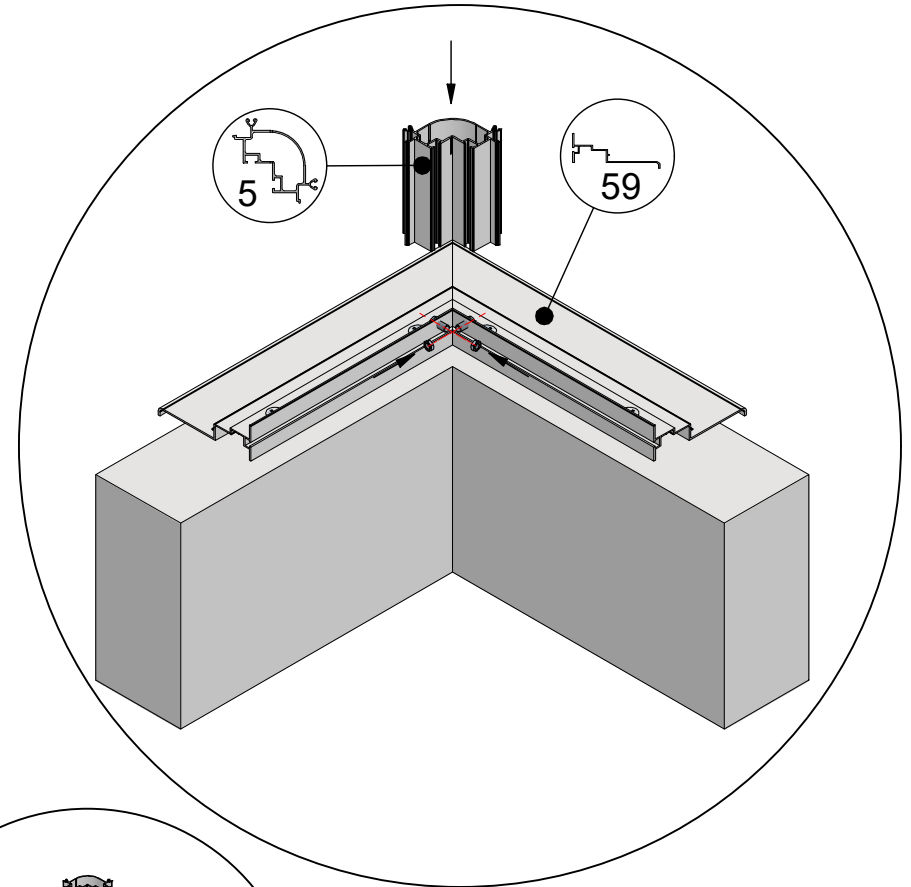
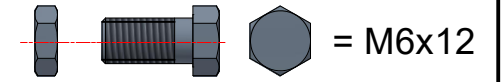
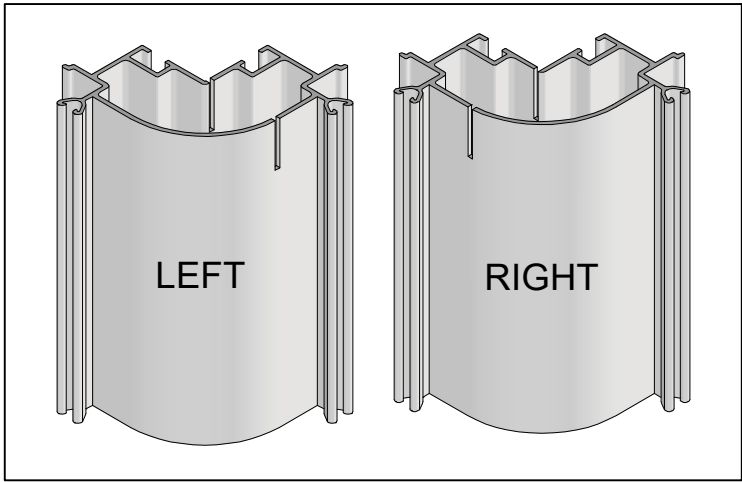
 = 8x40

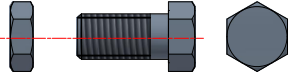


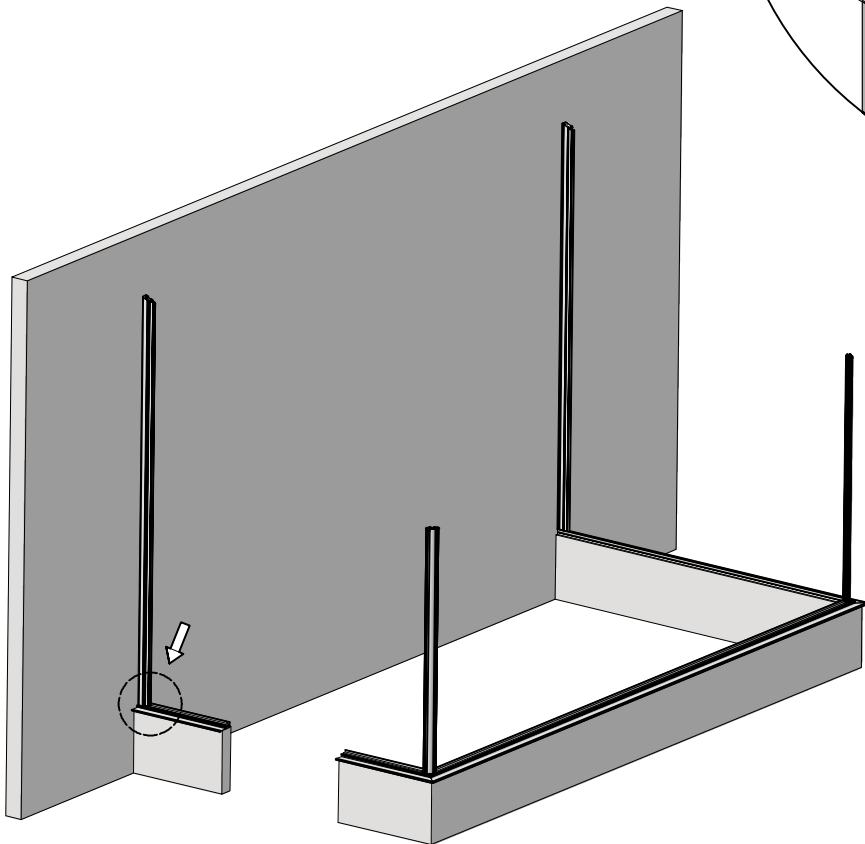
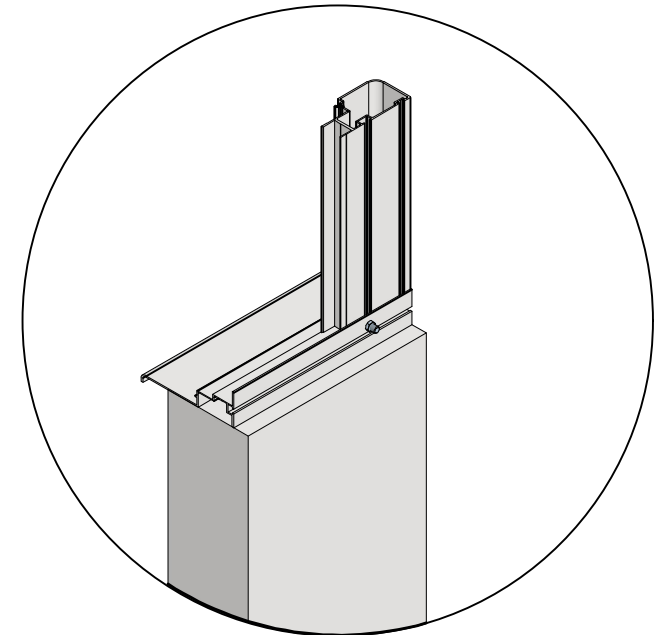
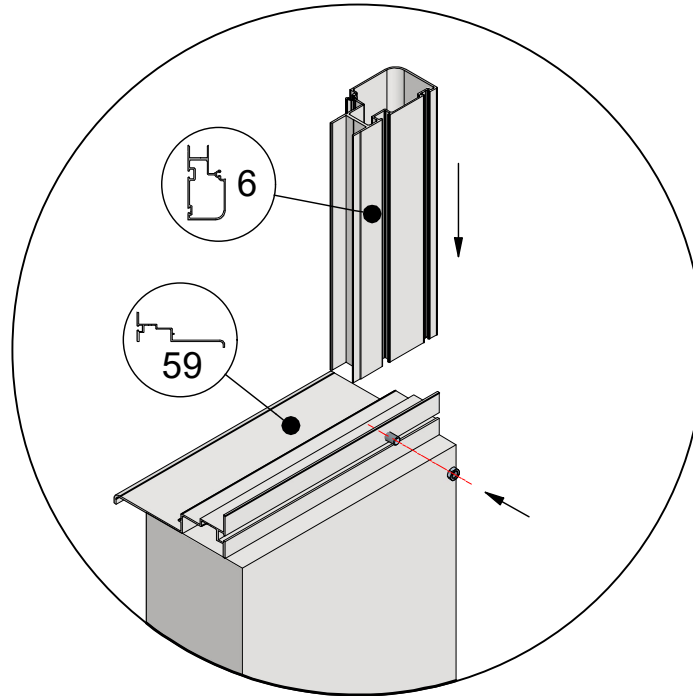
 = 6x120

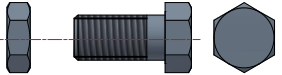
Ø = 8mm

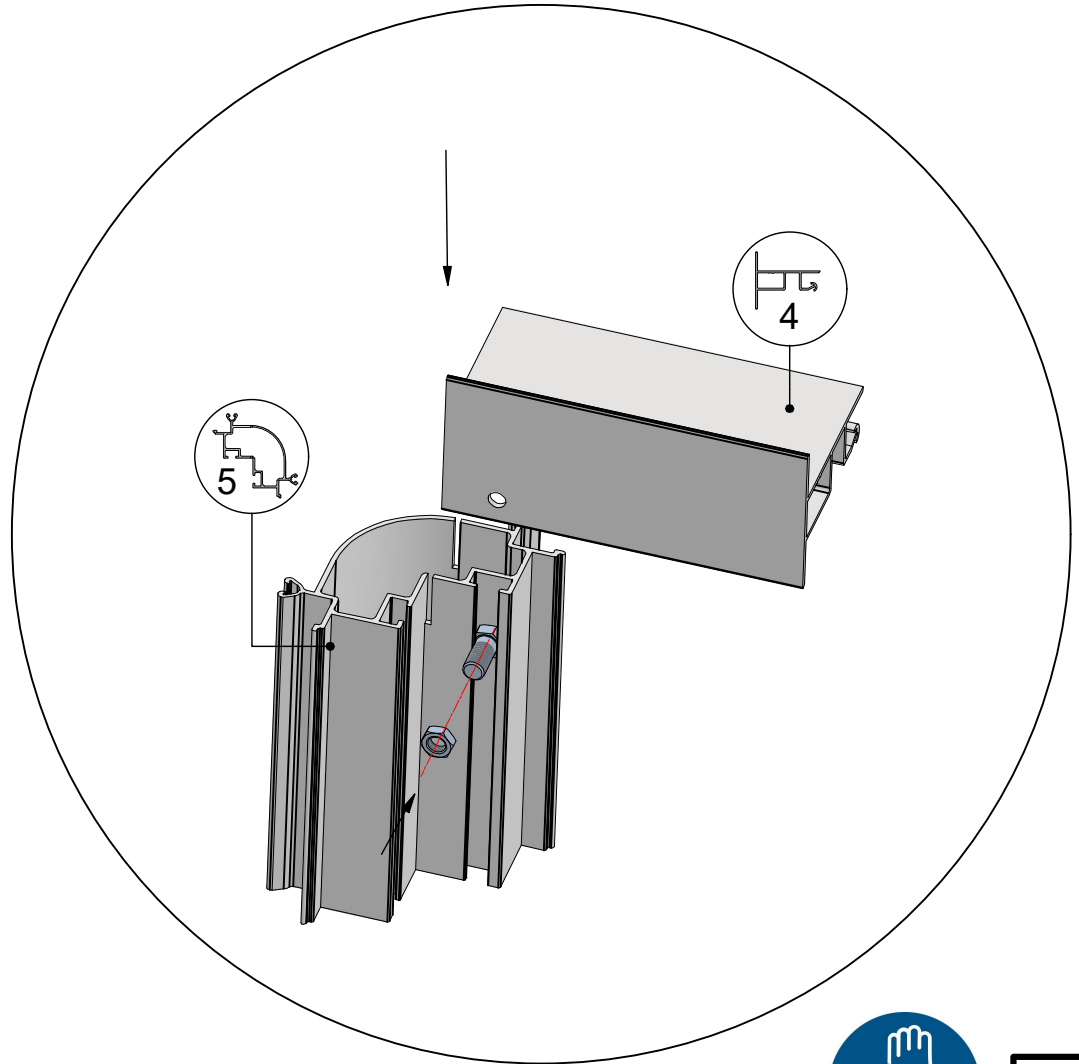
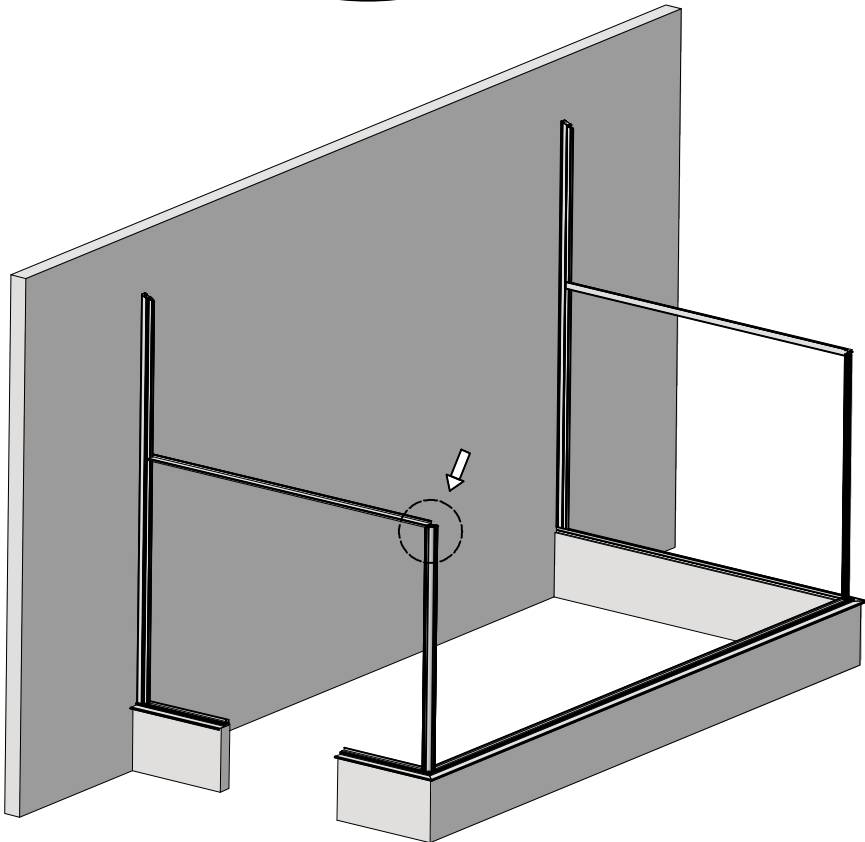
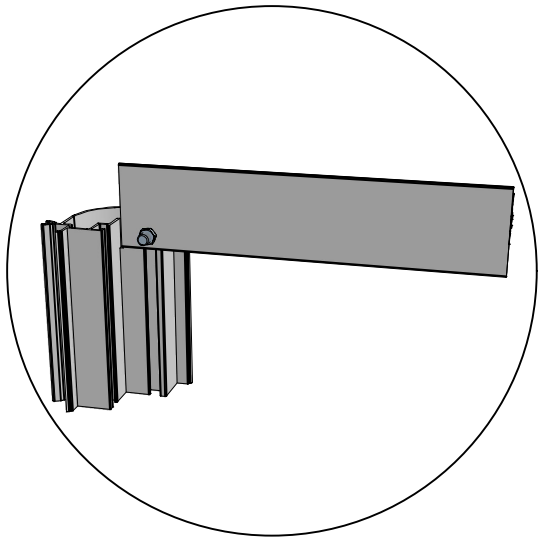





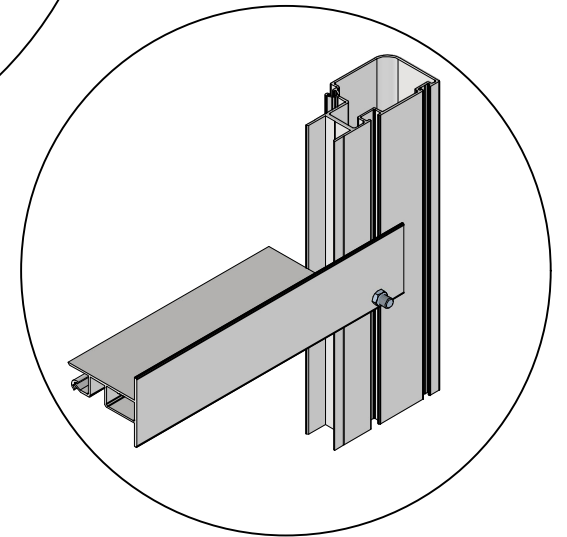
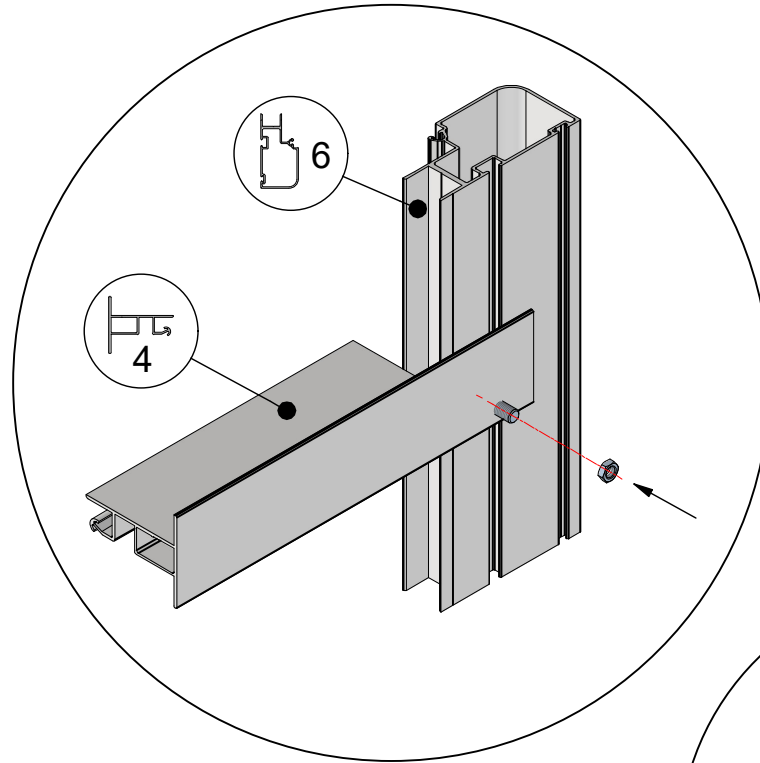
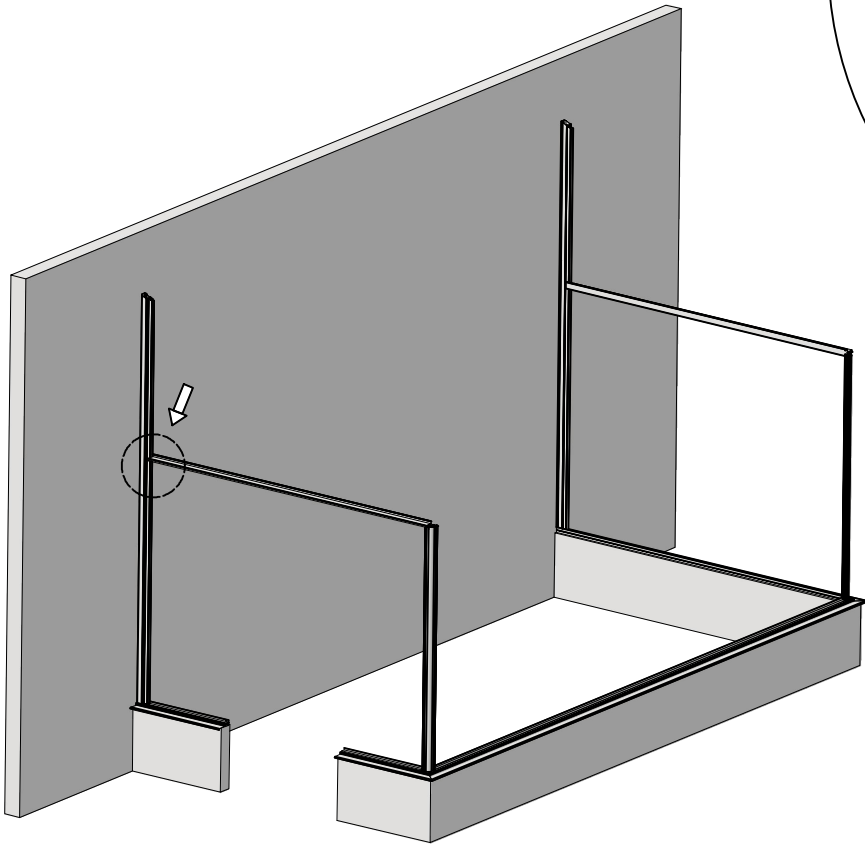
 = M6x12



 = M6x12

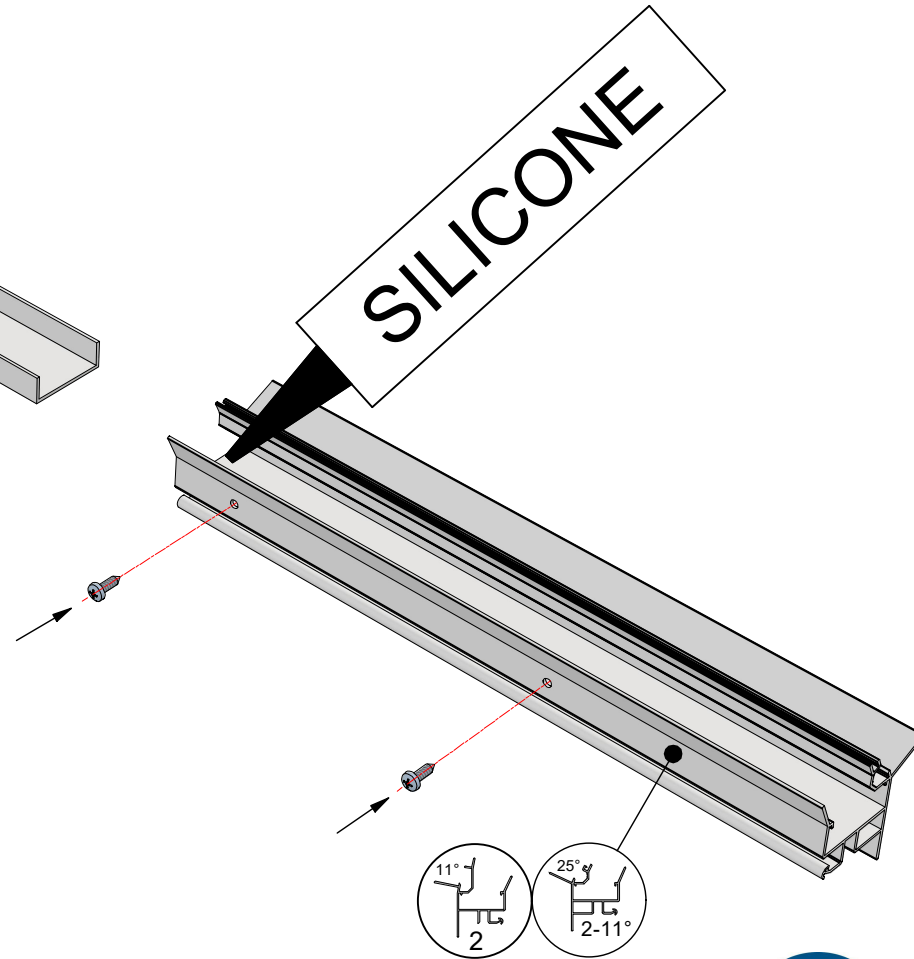
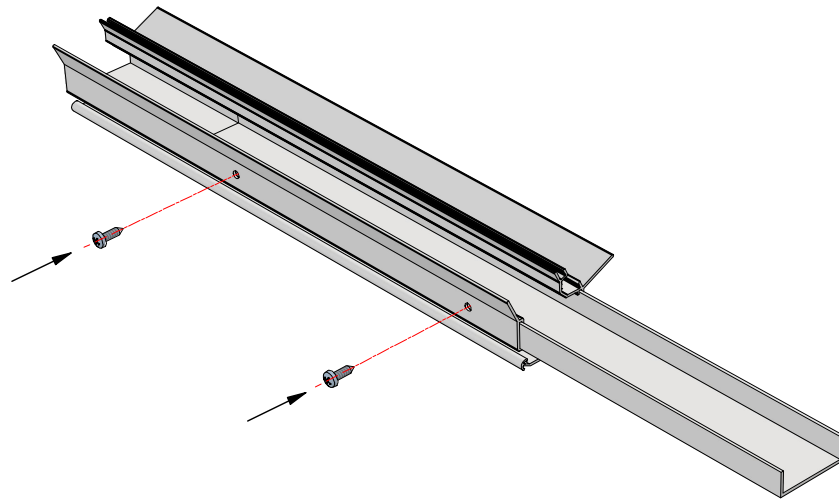
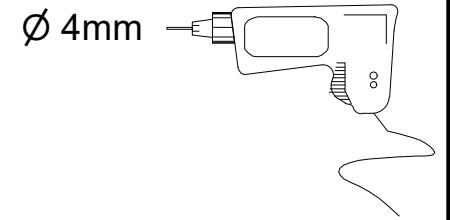


 = M6x12

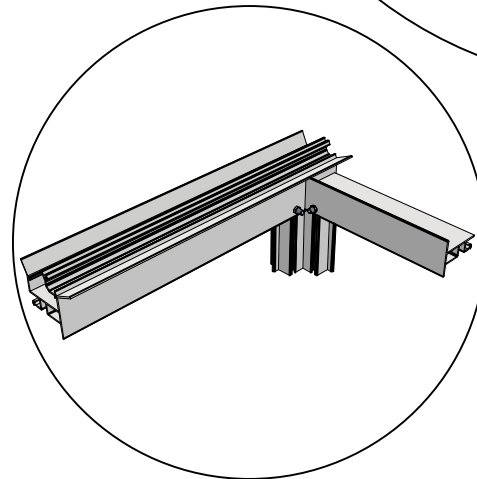
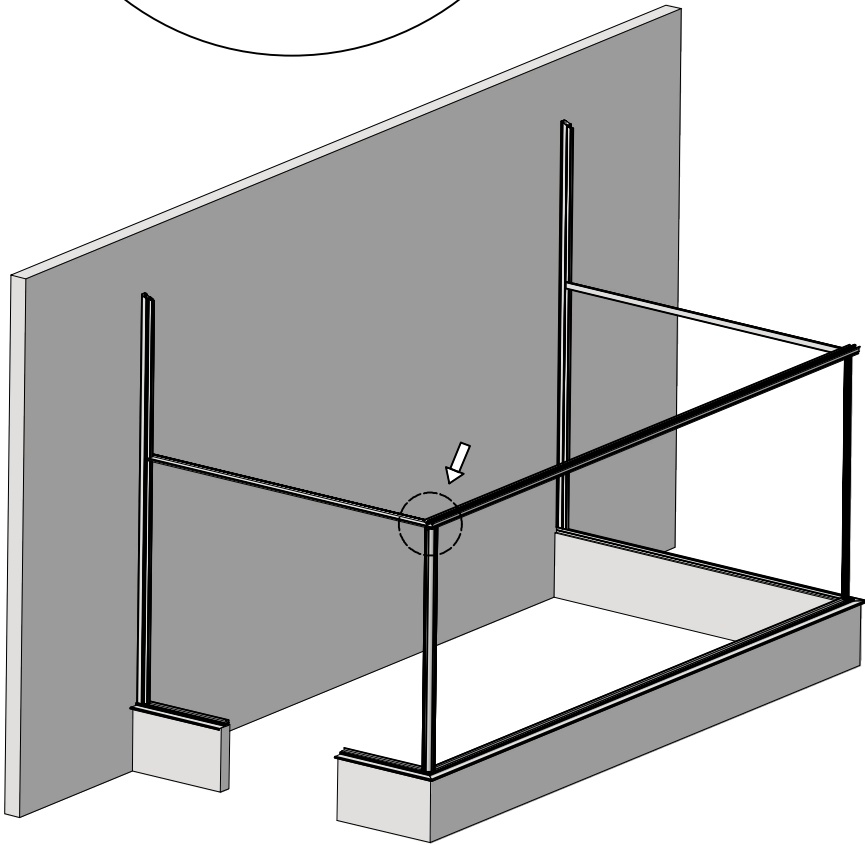
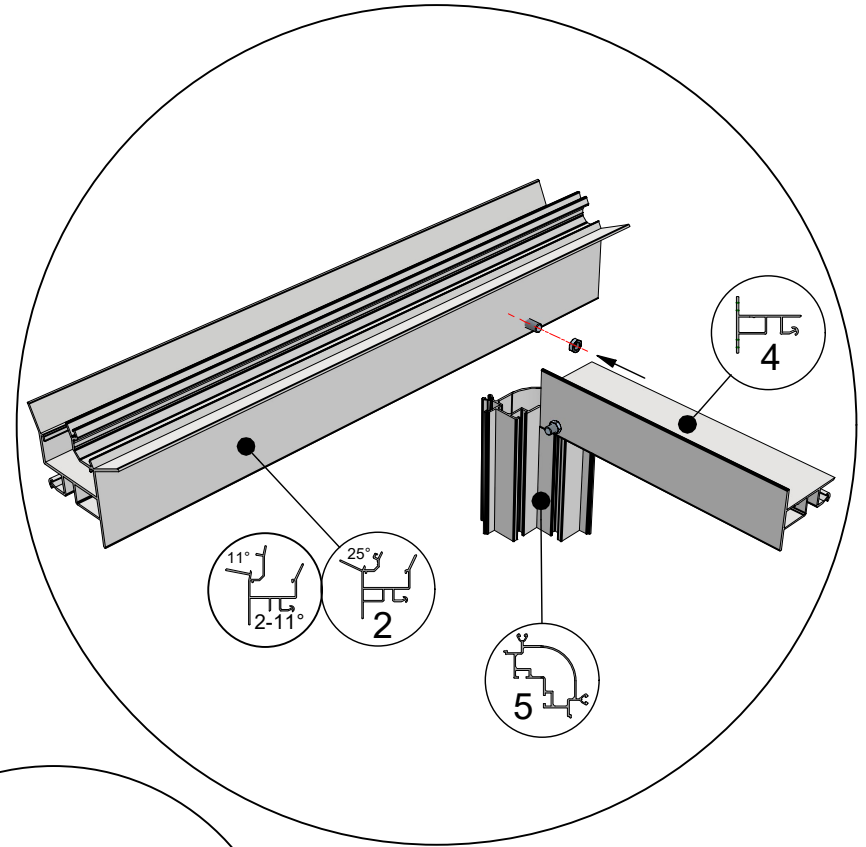
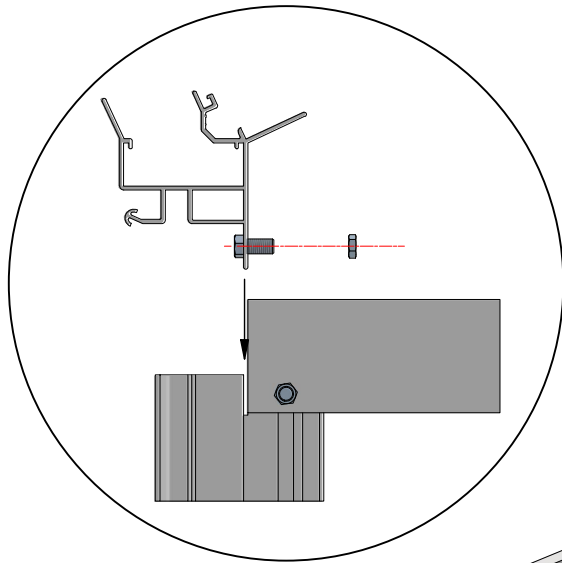


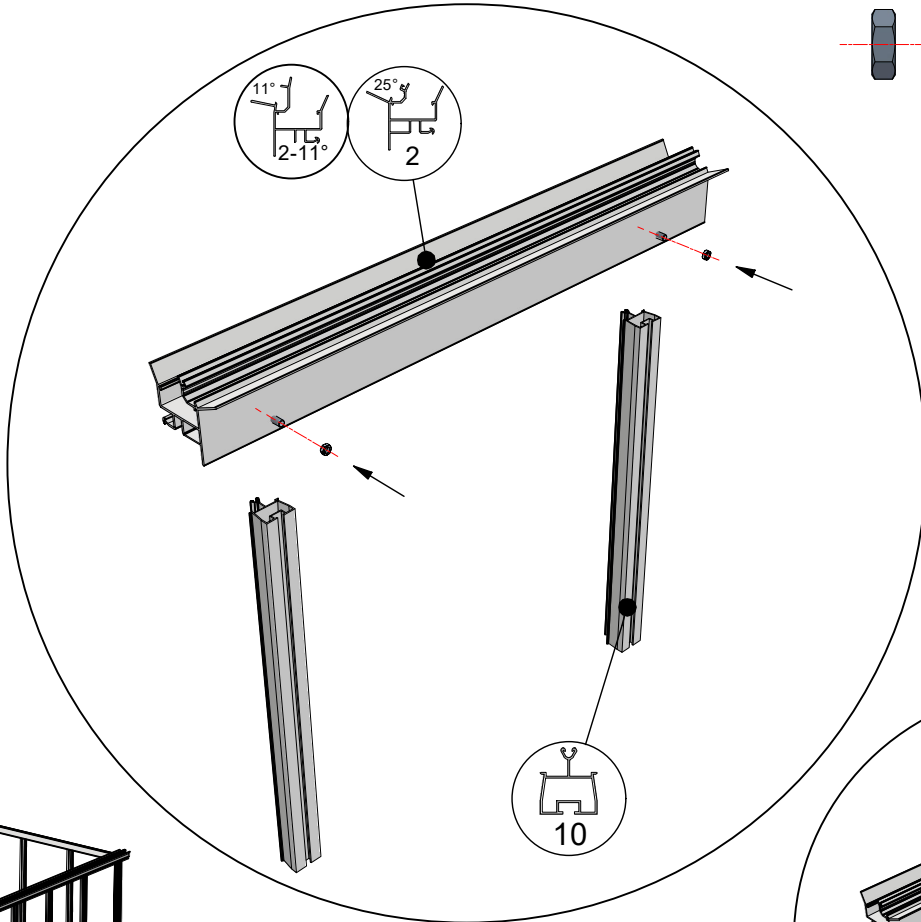
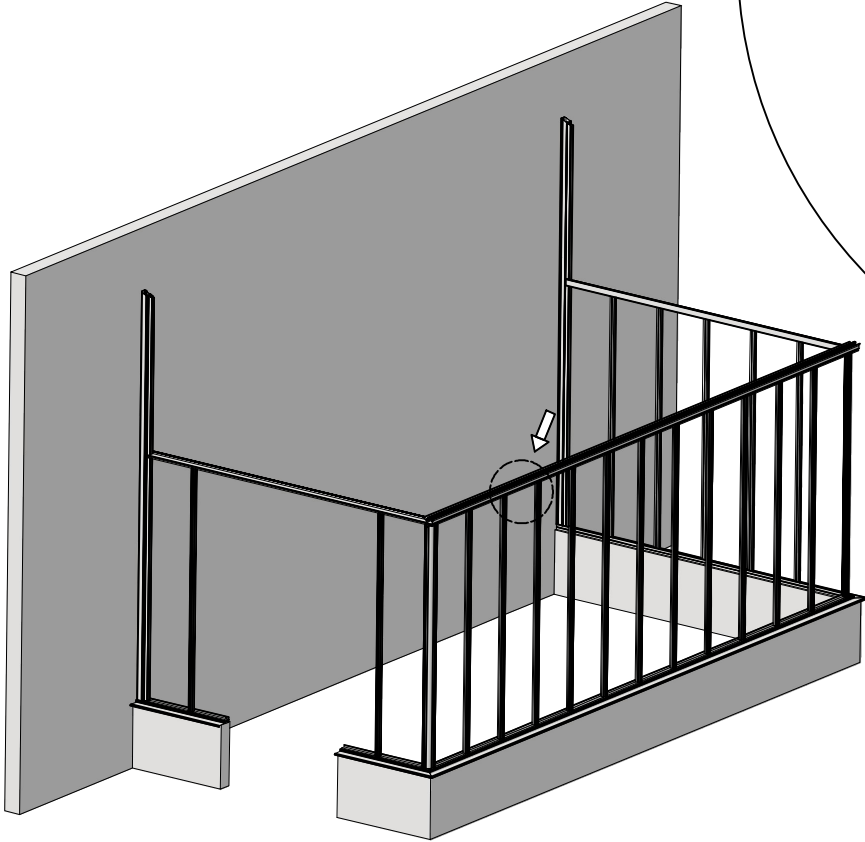
10


Euro-Muurserre > 6,04

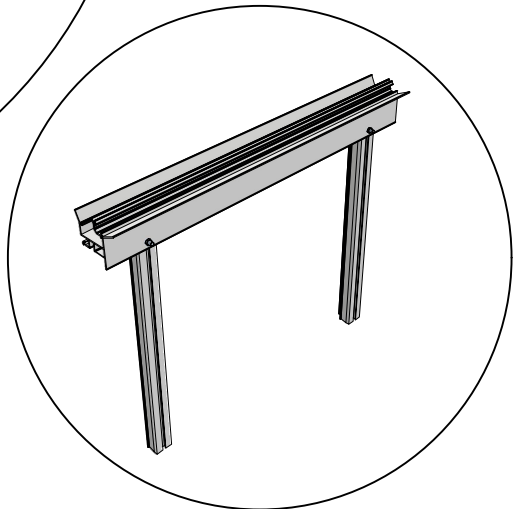


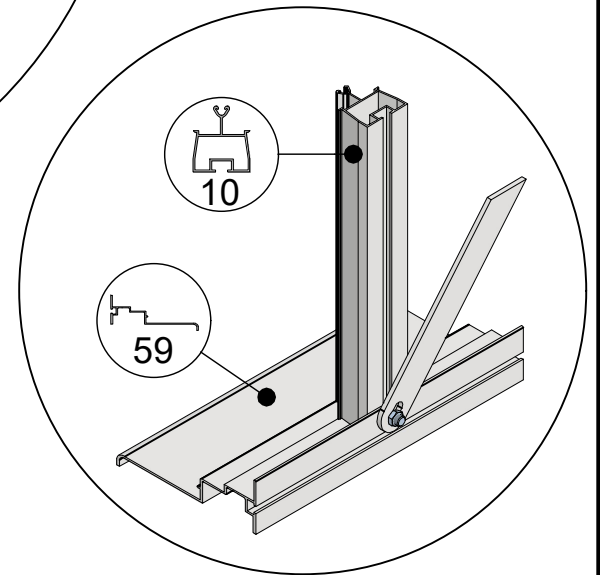
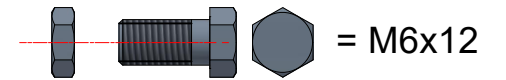
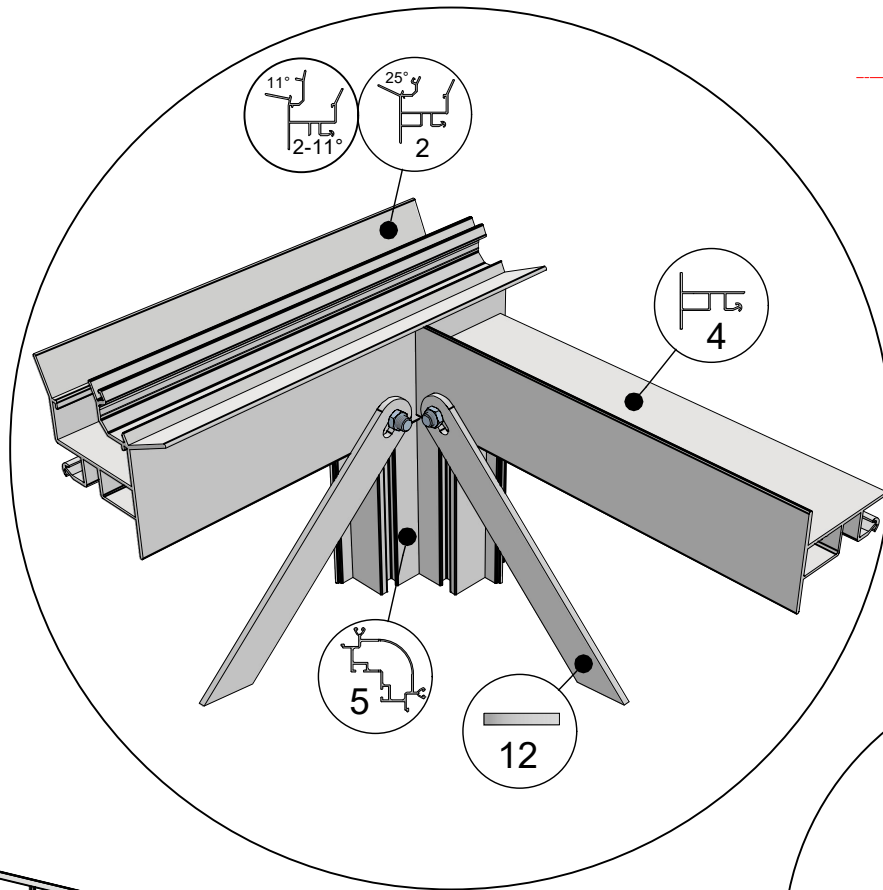
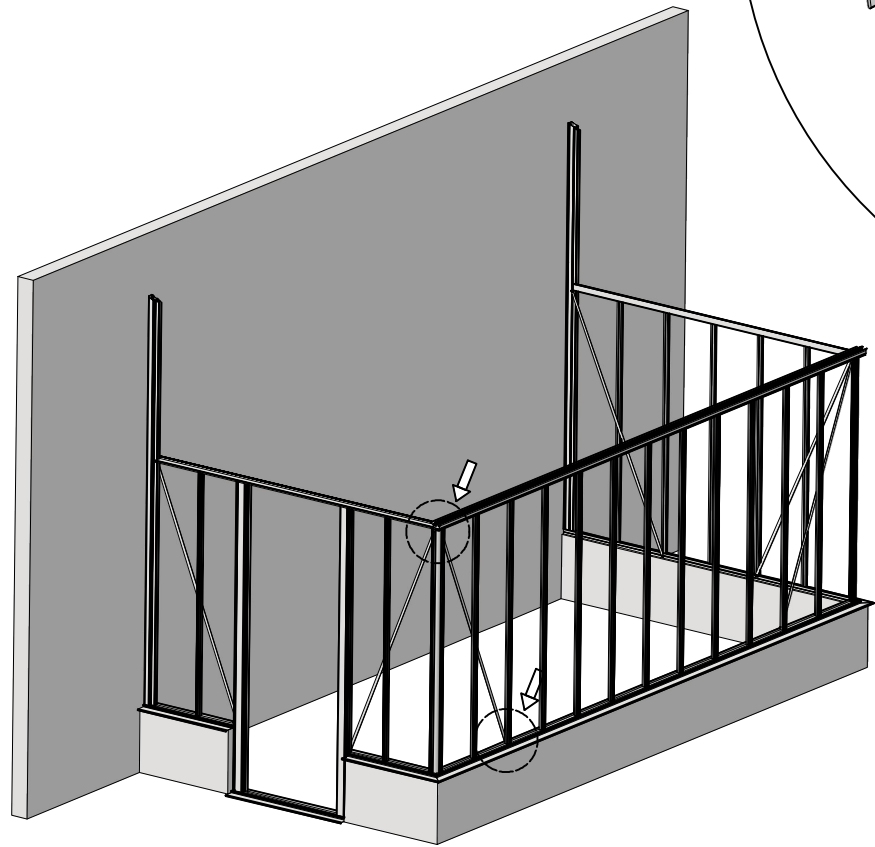
 = M6x12 (4x)

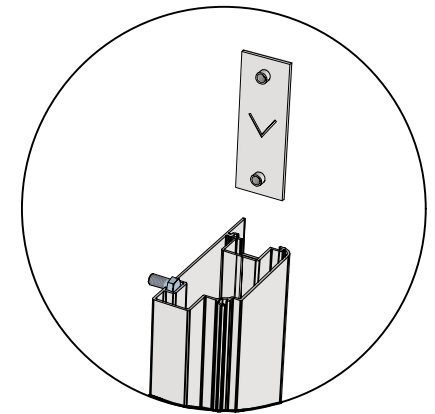
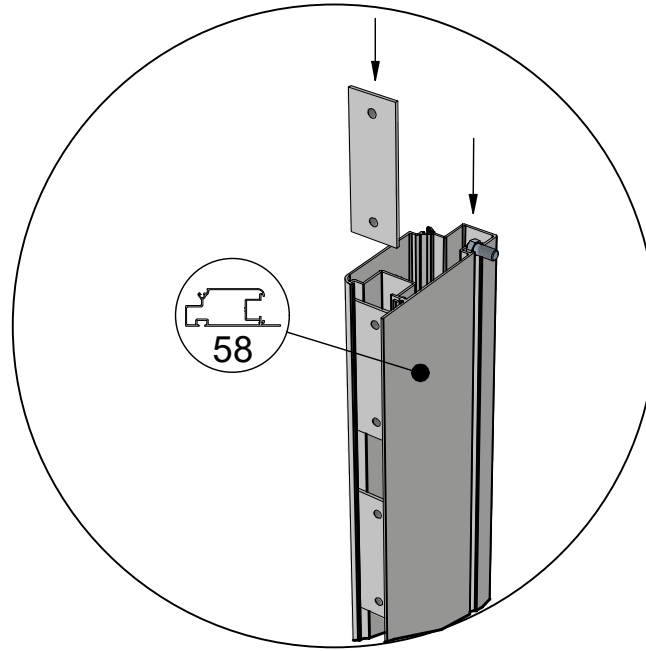
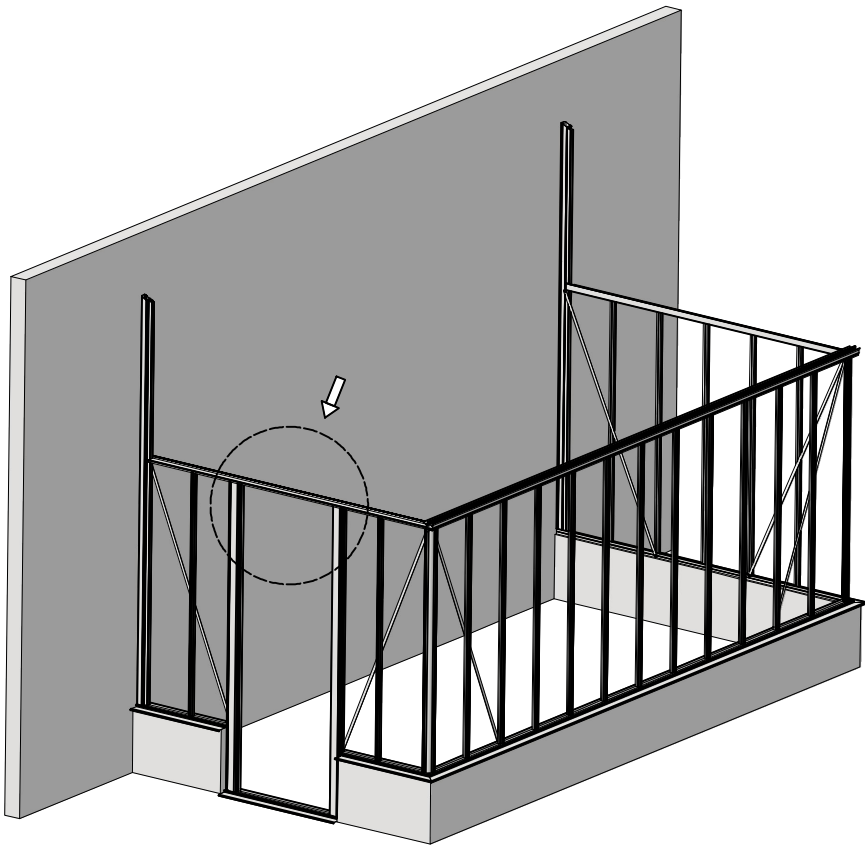


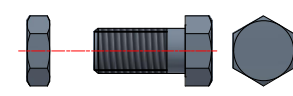


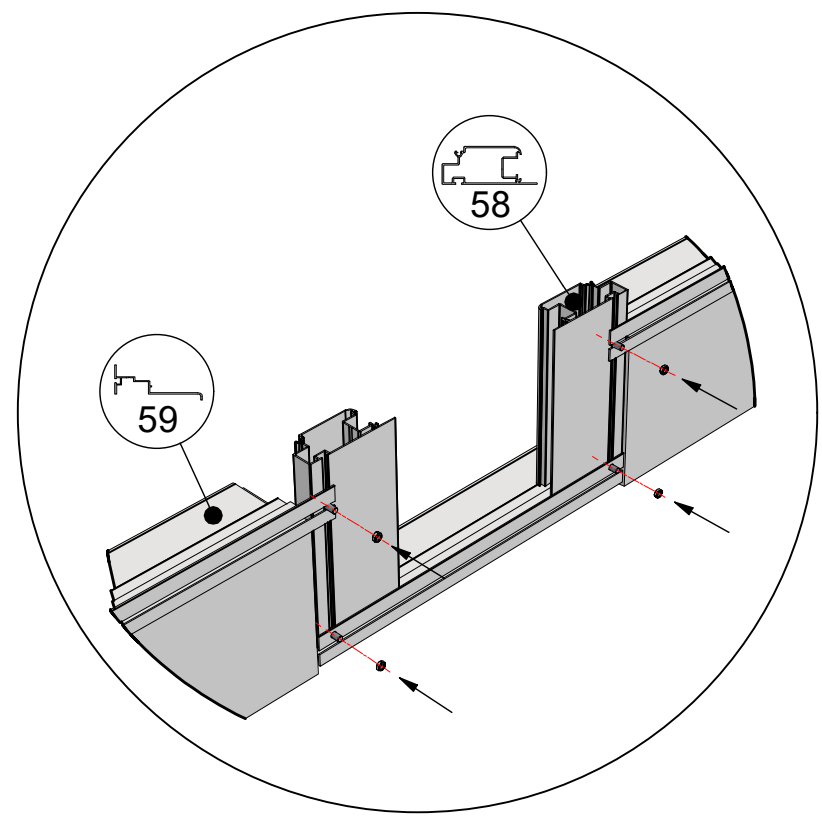
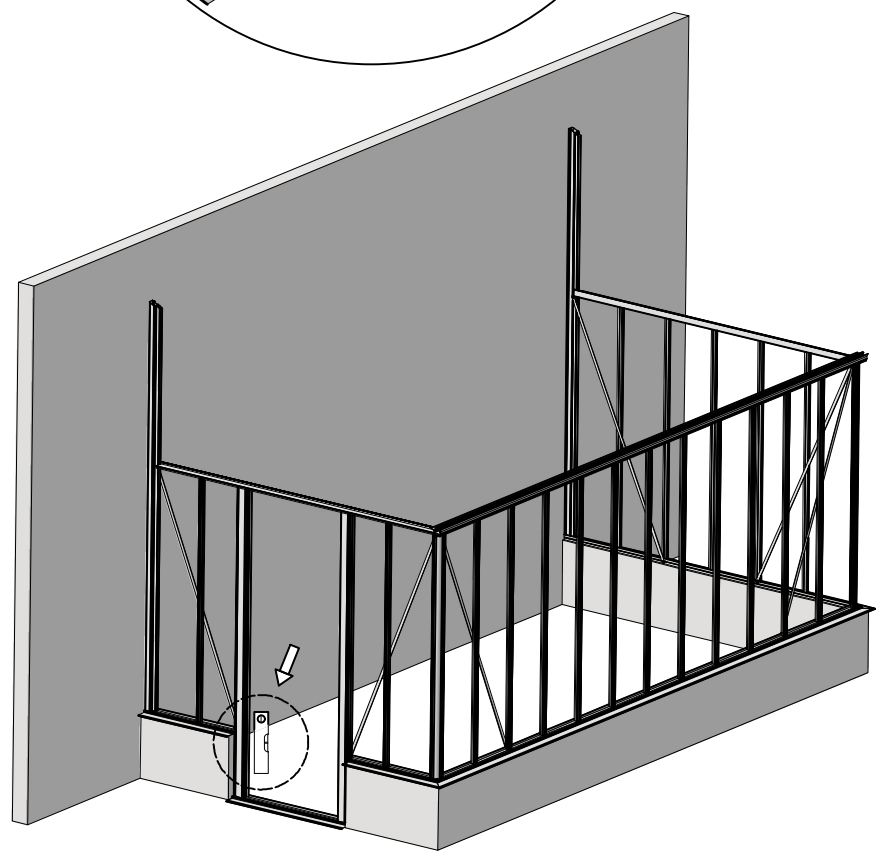
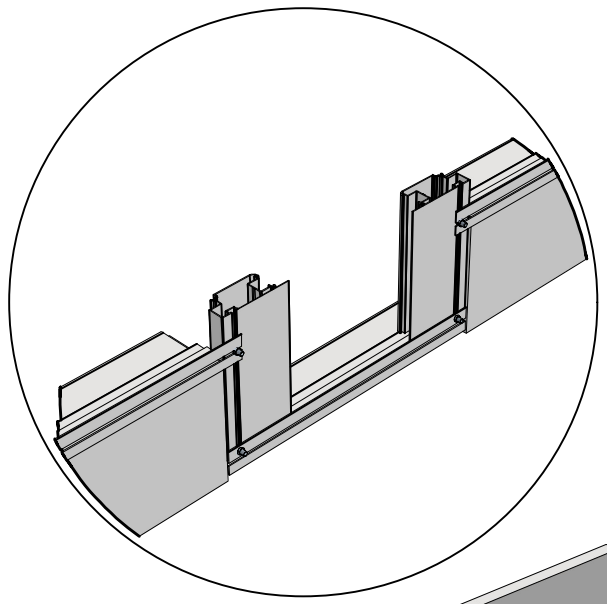
 = M6x12




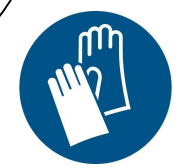
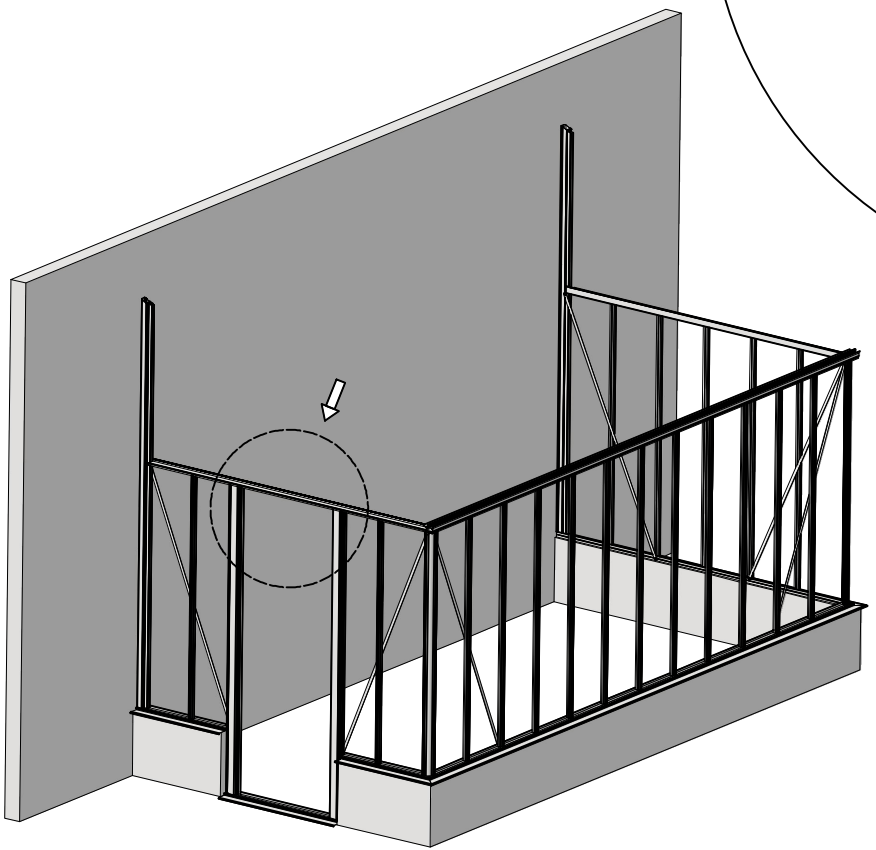
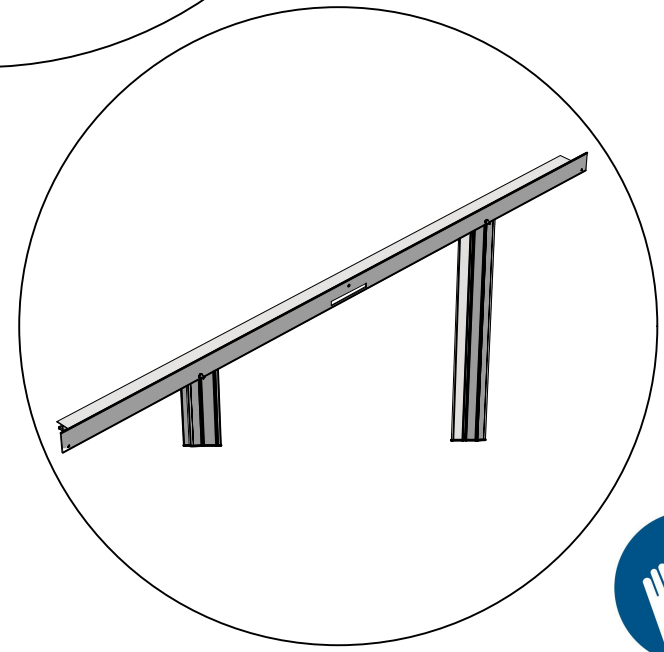
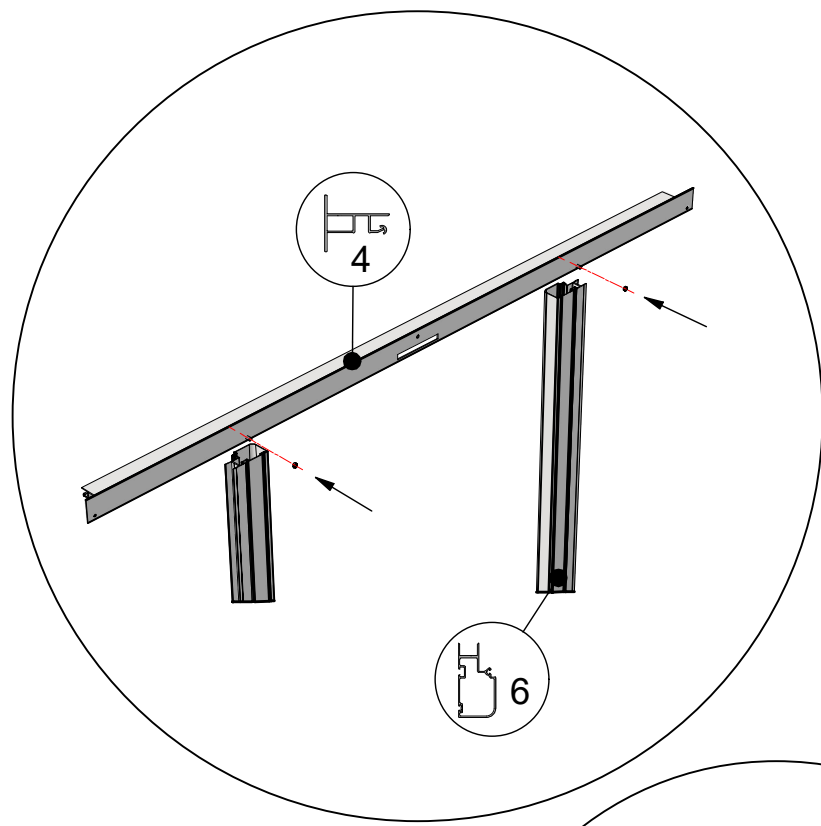





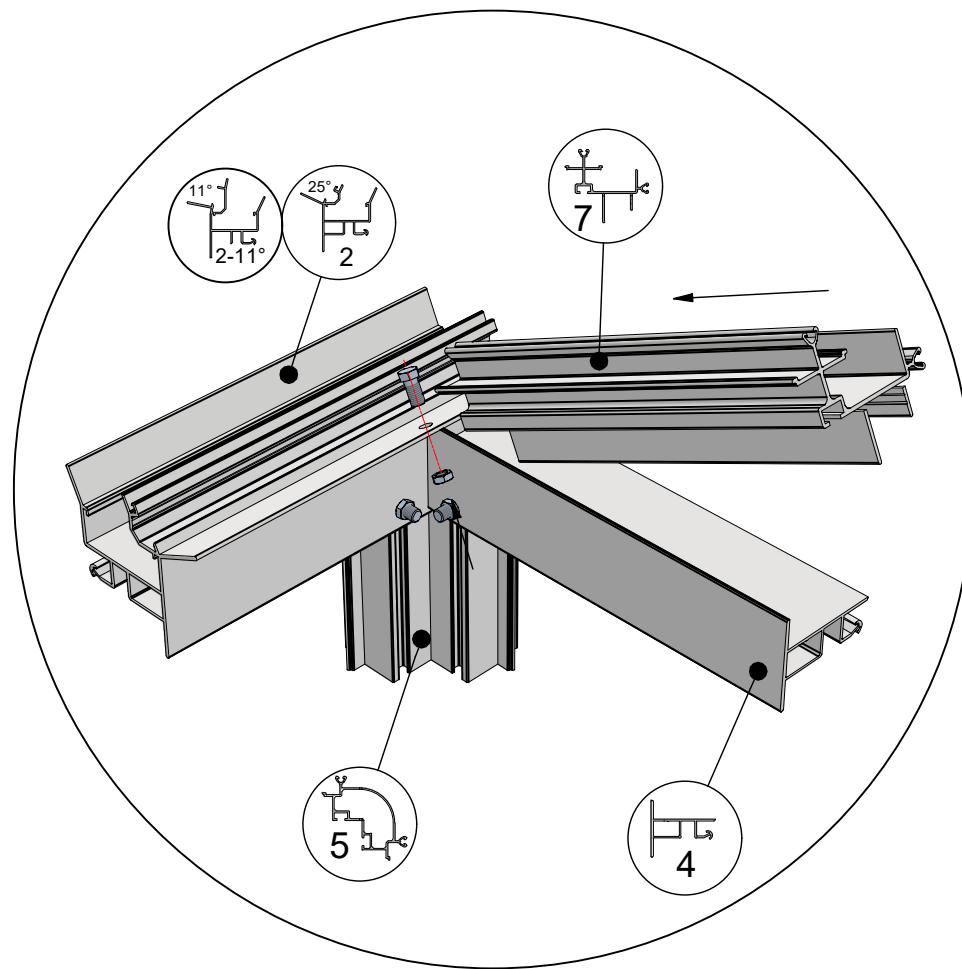
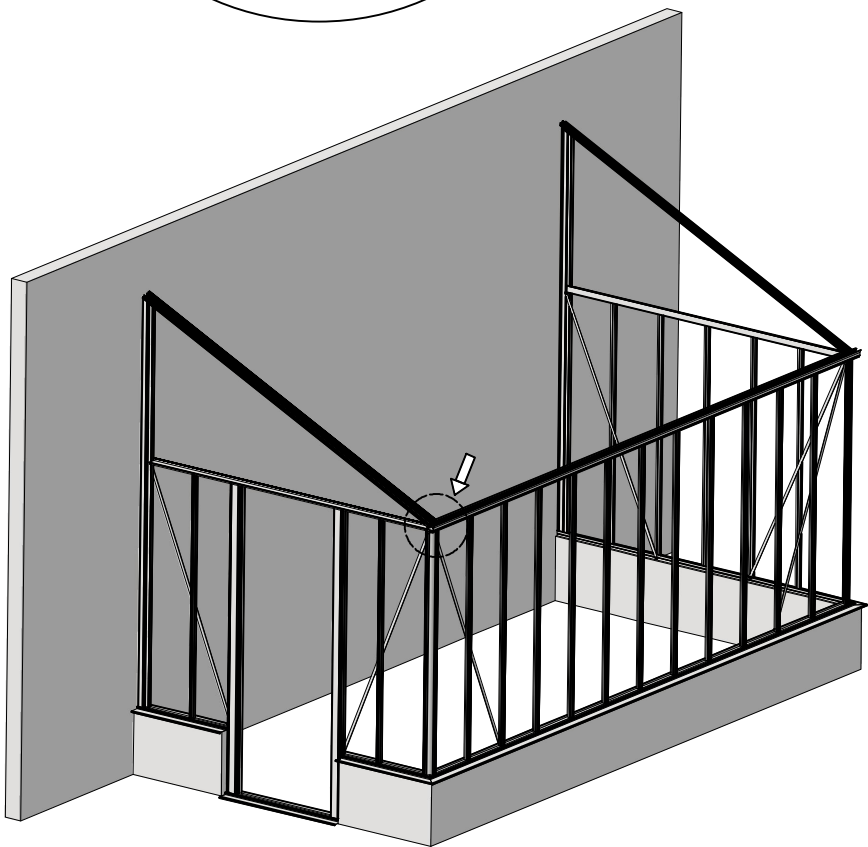
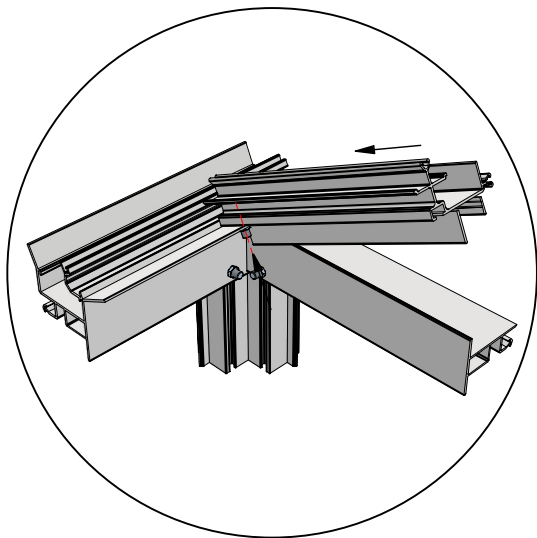
 = M6x12




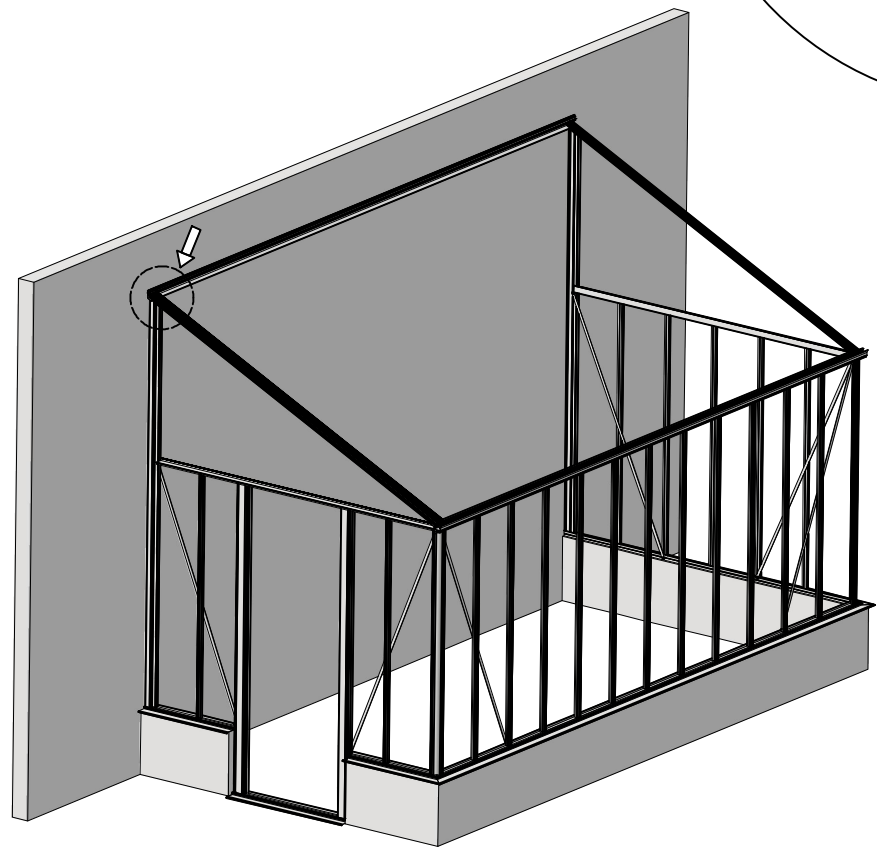
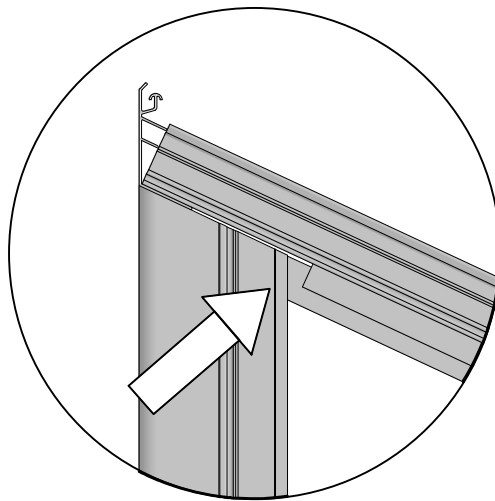
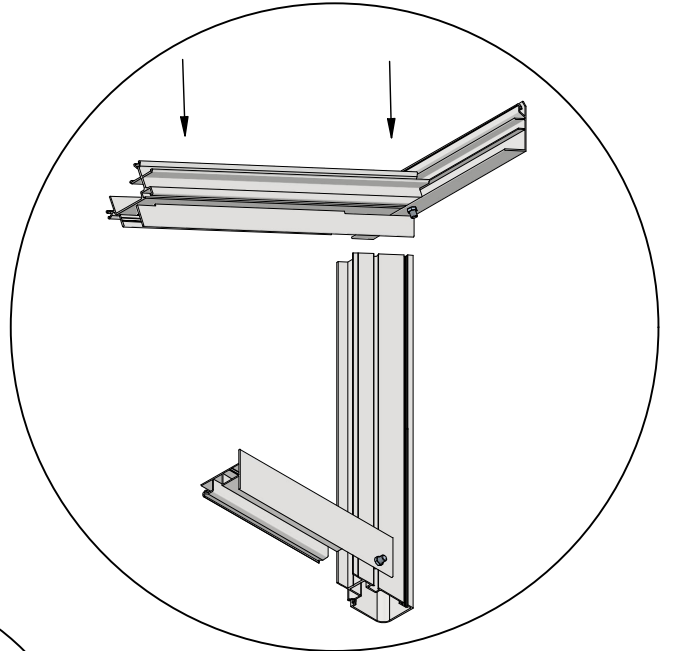
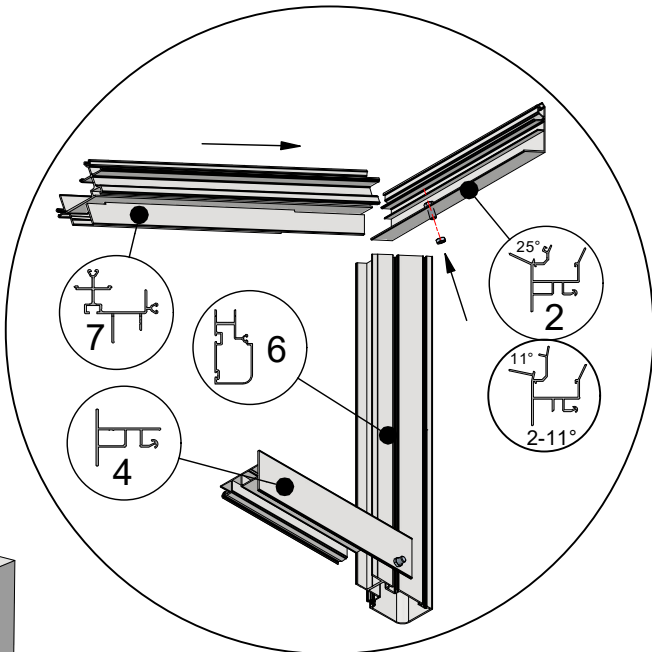
 = M6x12

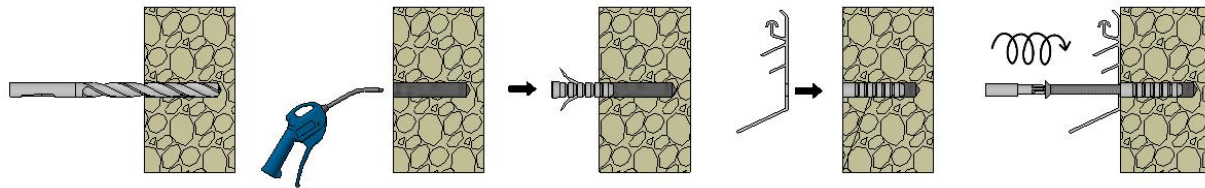


 = M6x12

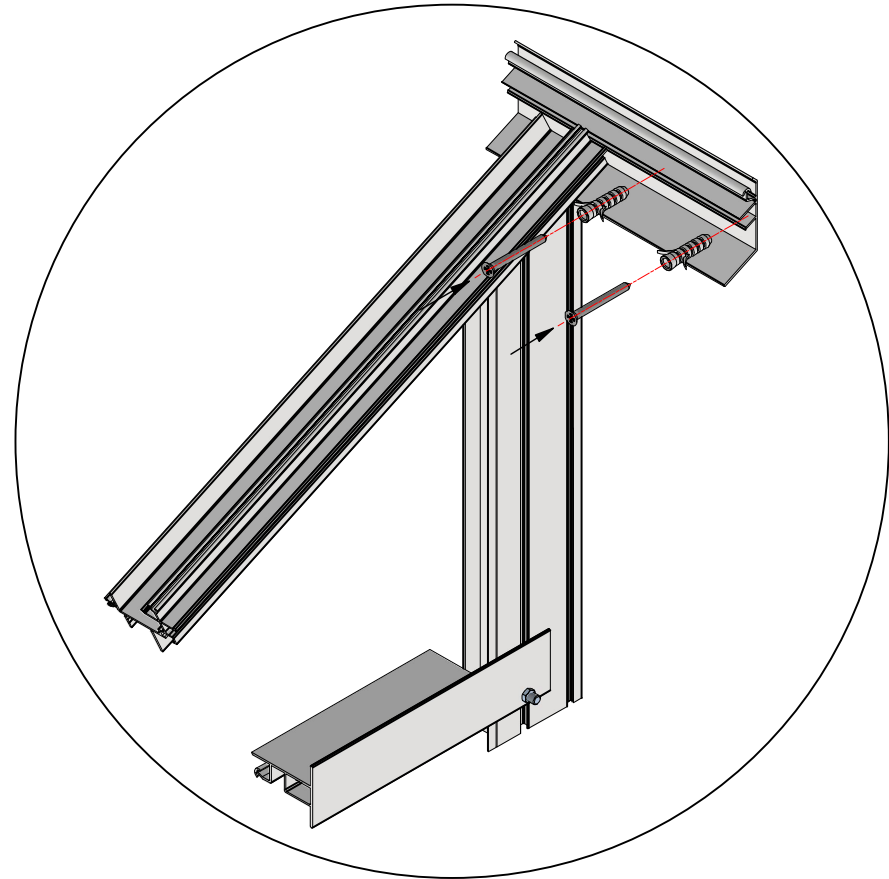
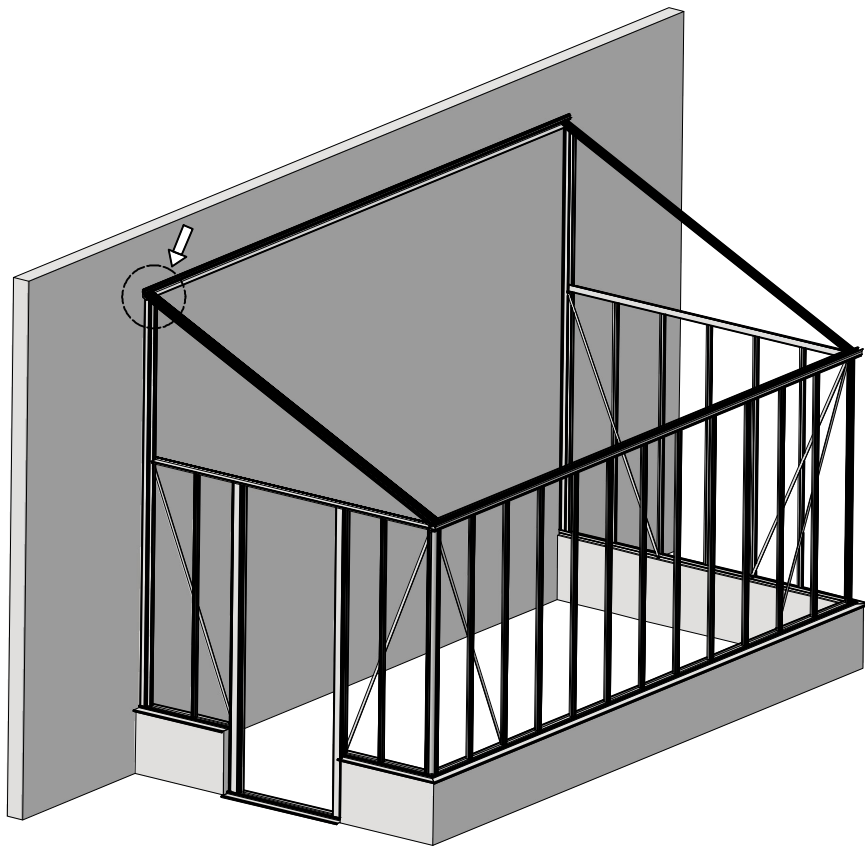
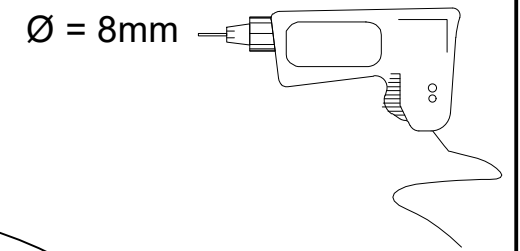


 = M6x12

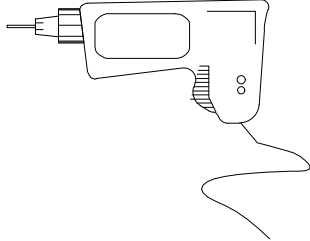


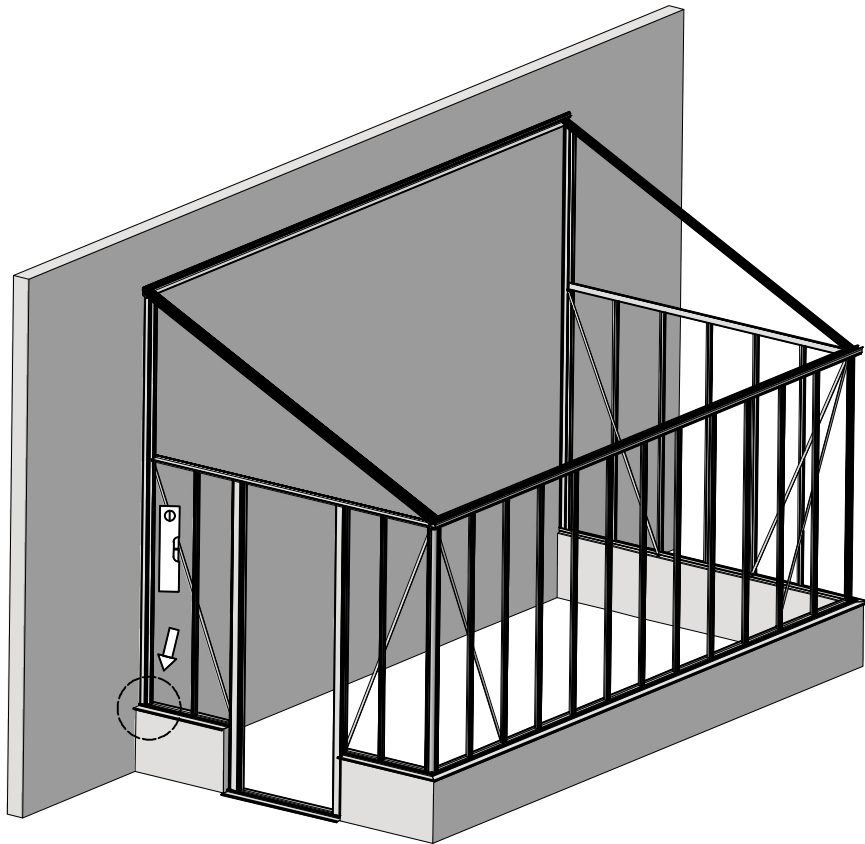
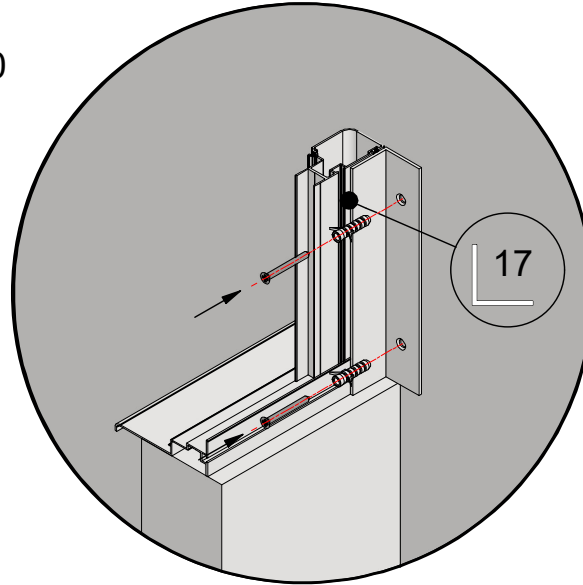


 = 8x40  = M5x60 

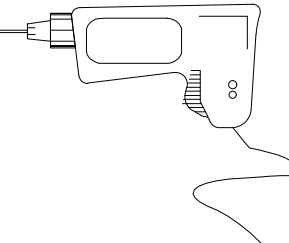


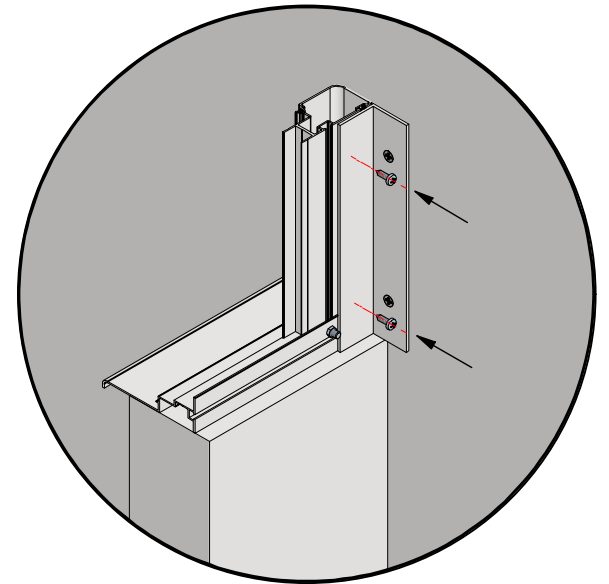
 = 8x40   = M5x60

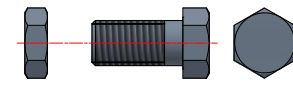
Ø = 8mm 

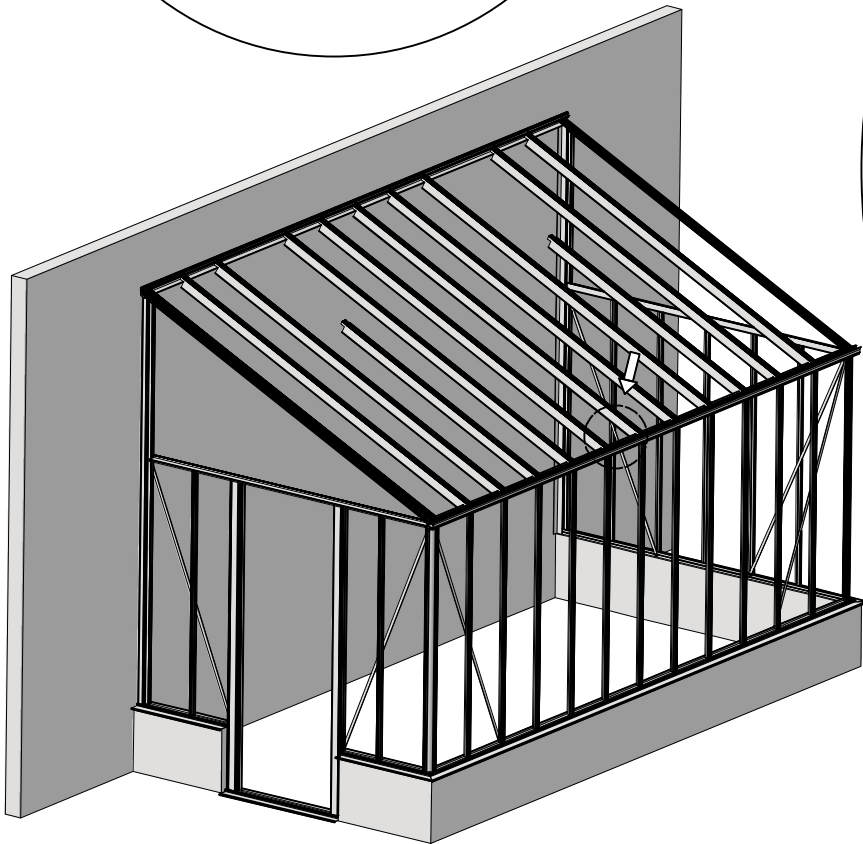
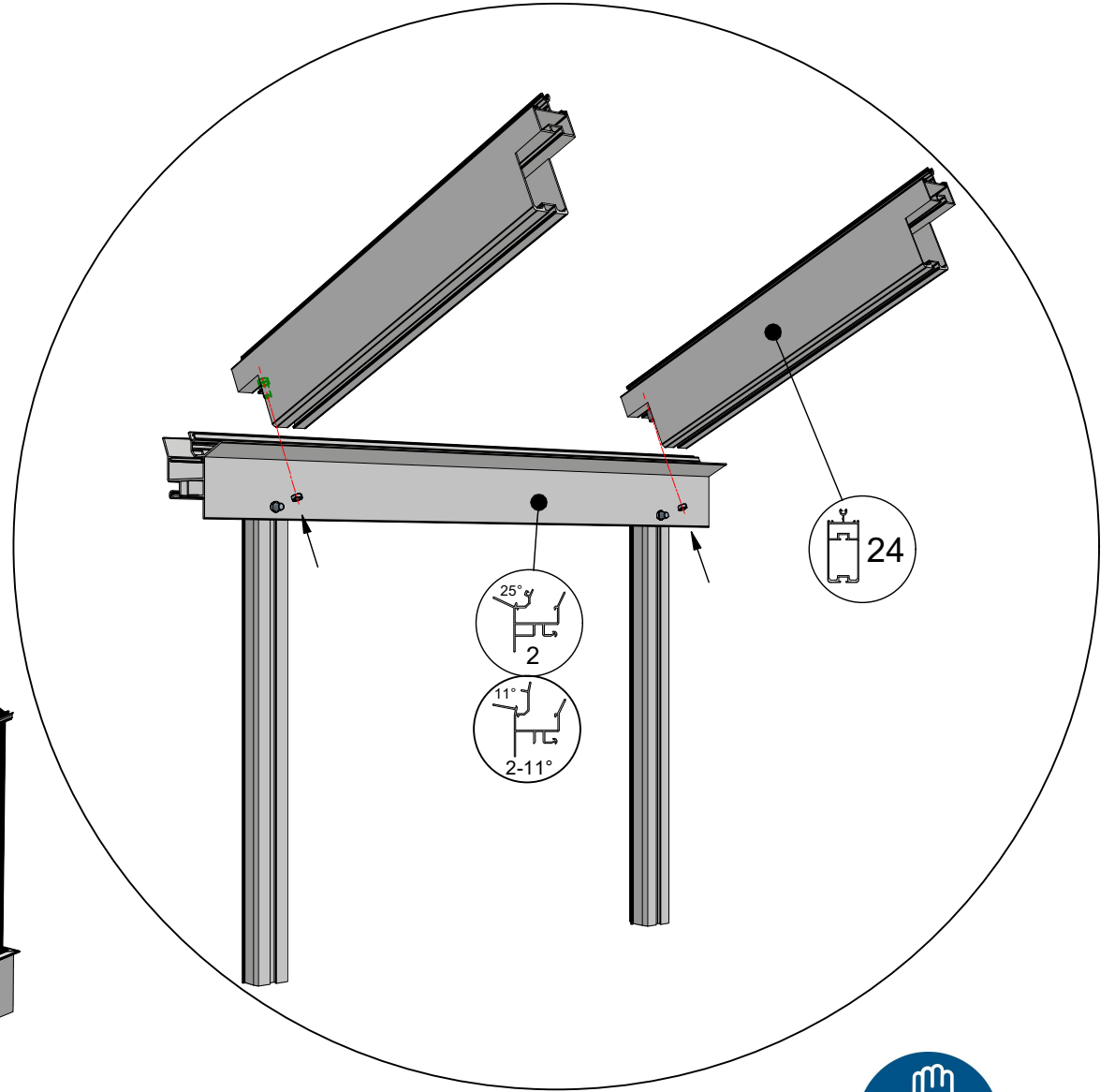
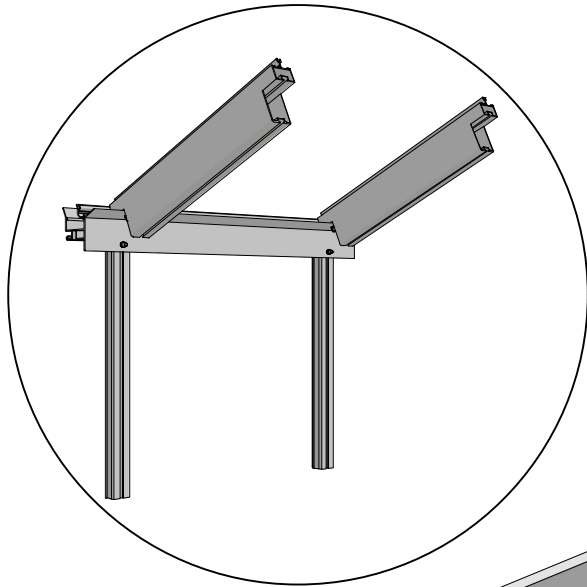


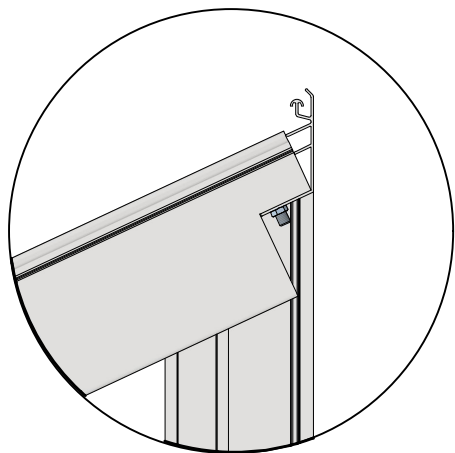
  = 4,8x16


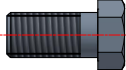

Ø = 4mm 

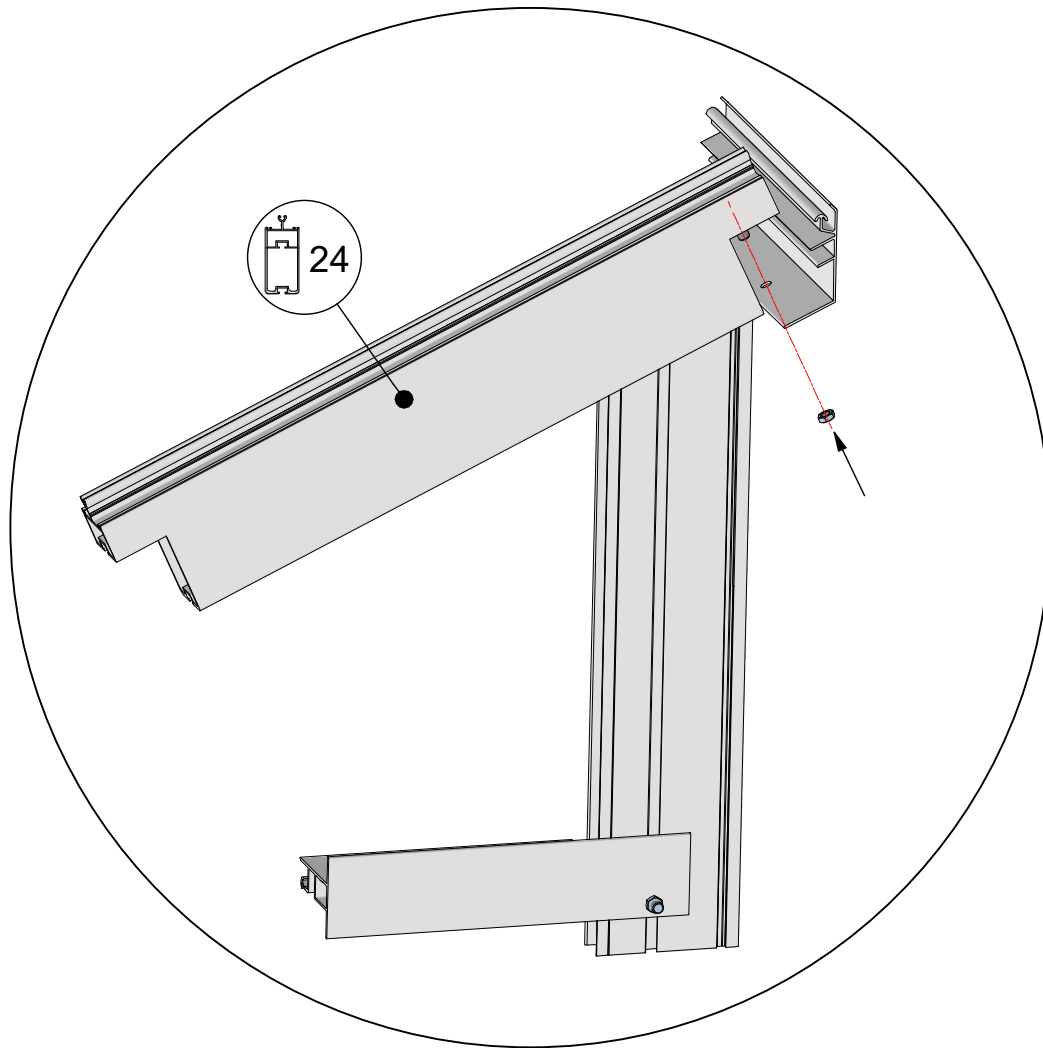
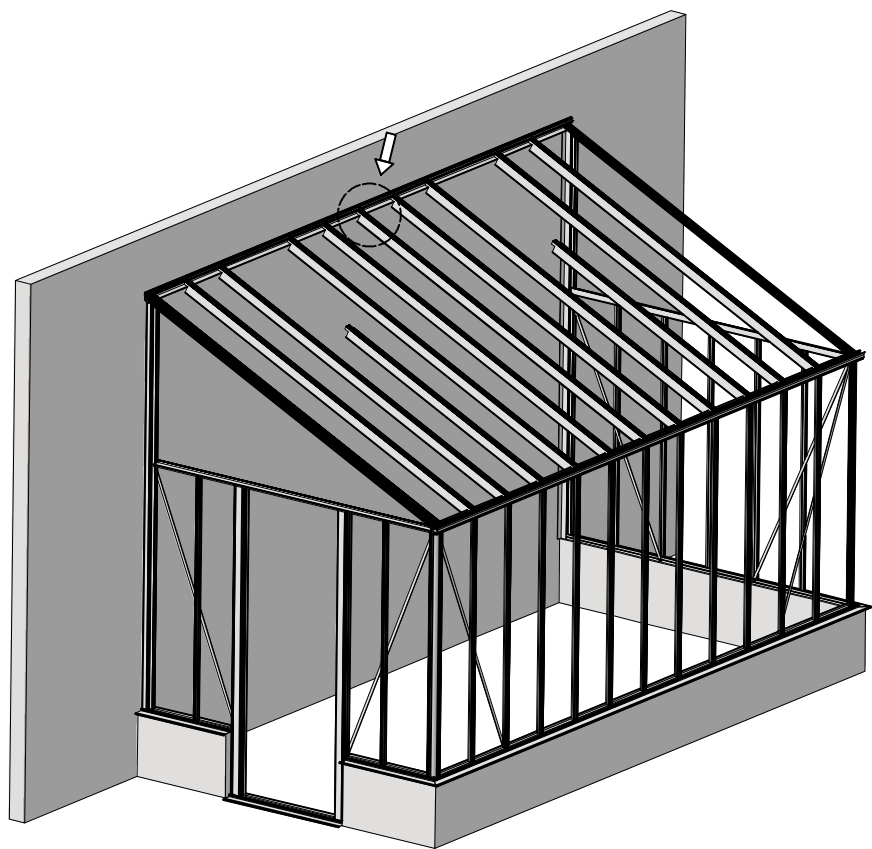


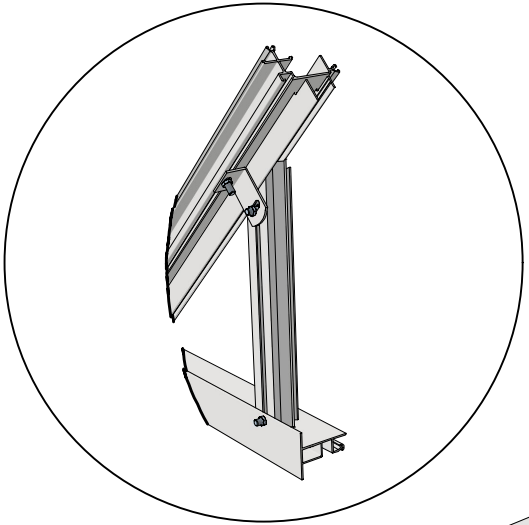
 = M6x12

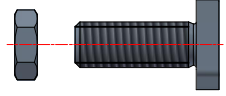
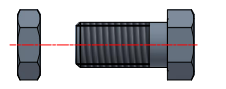


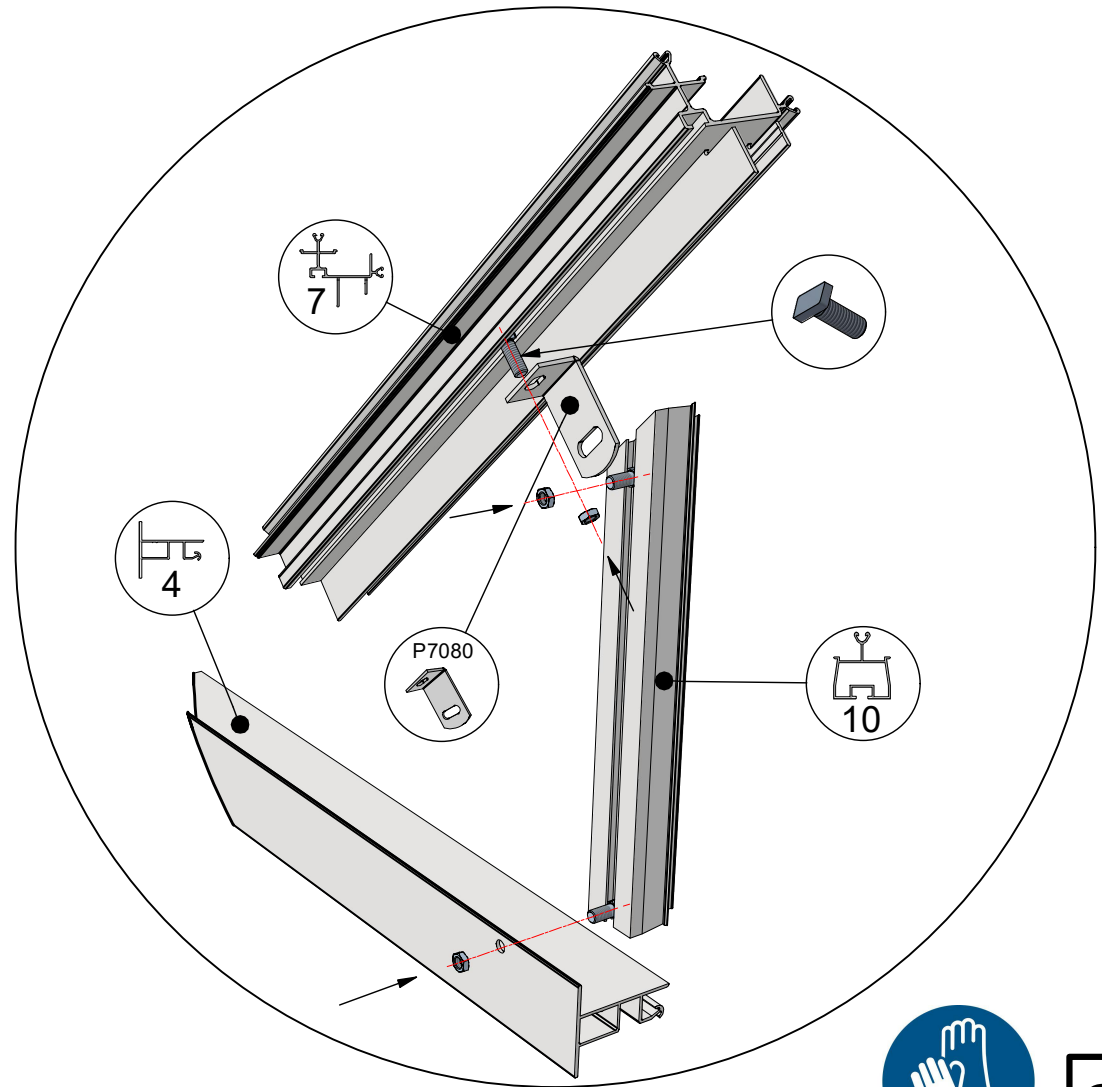
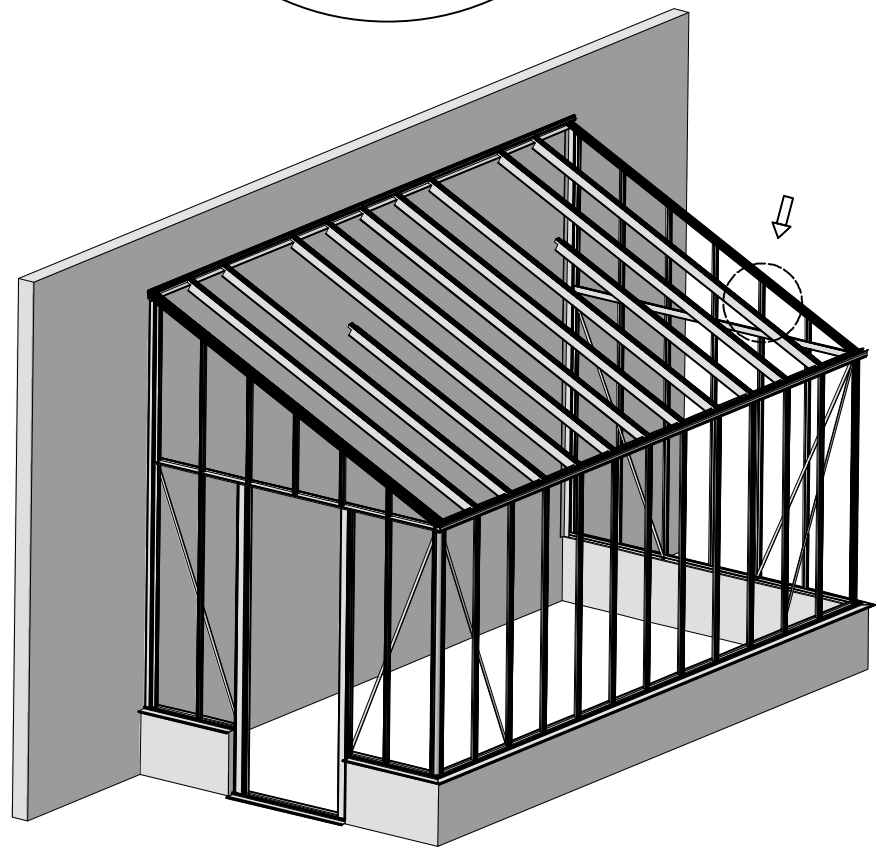


   = M6x12

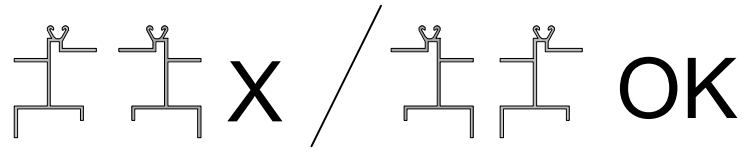
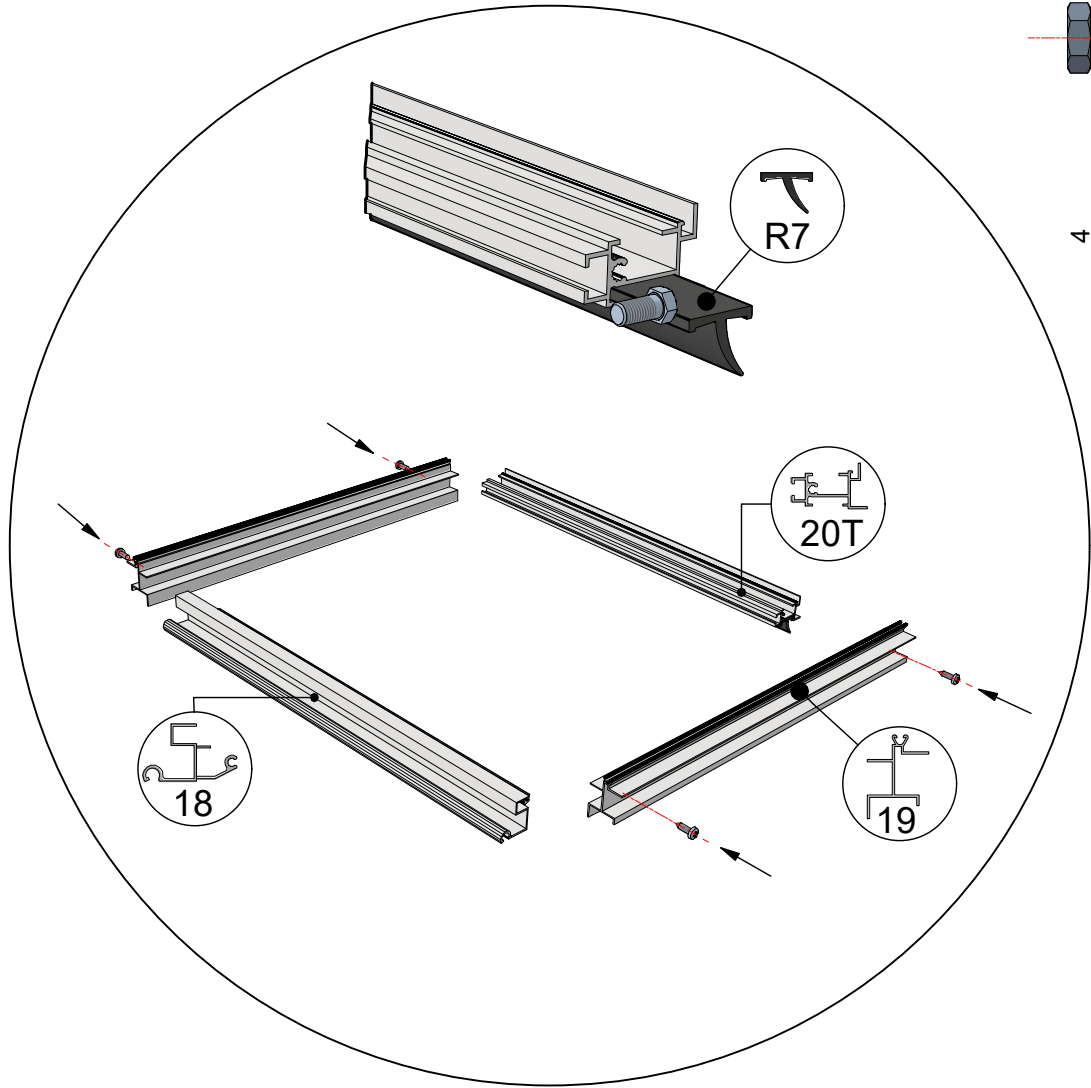
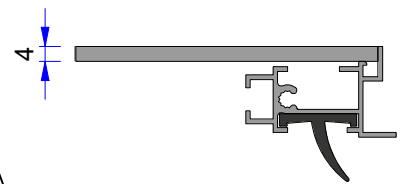
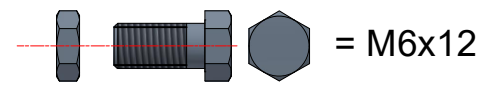
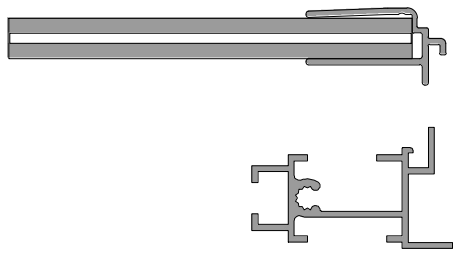


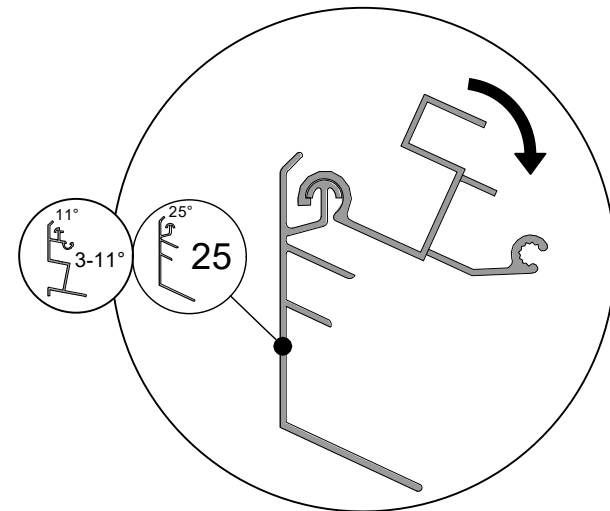
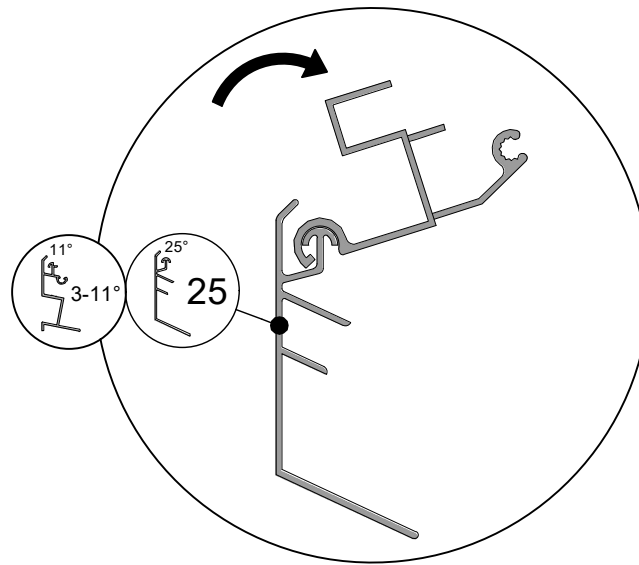
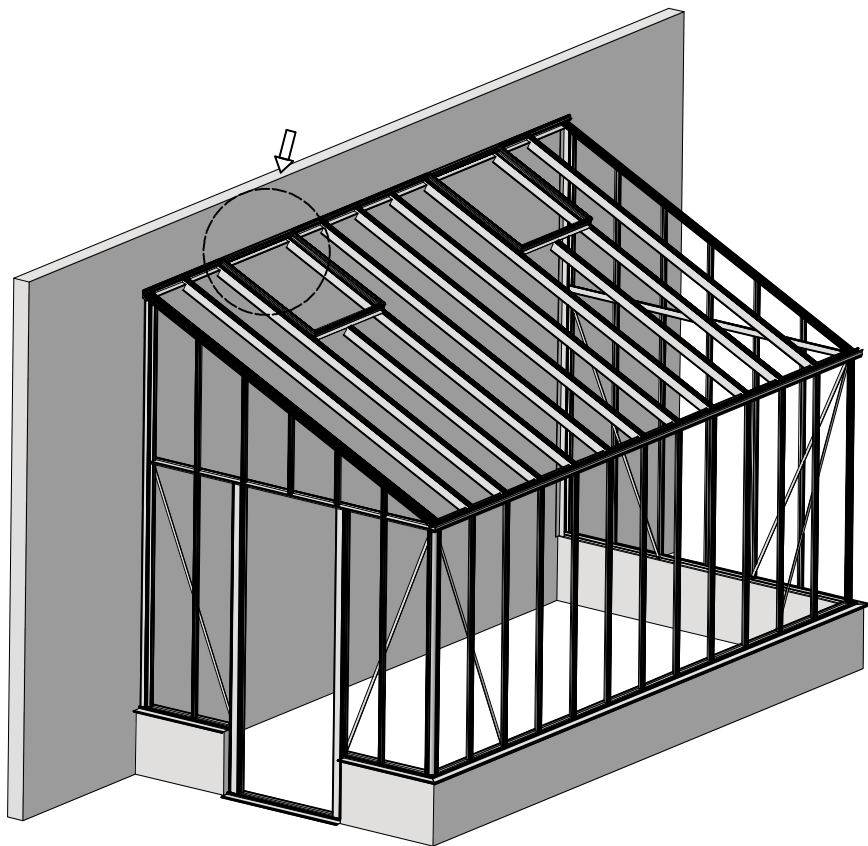



 = M6x16
 = M6x12

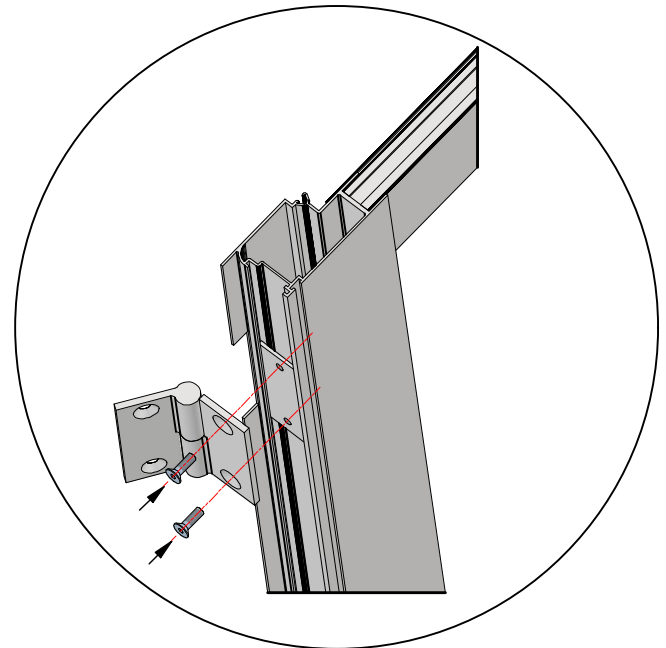
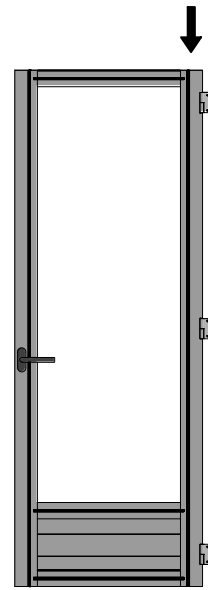
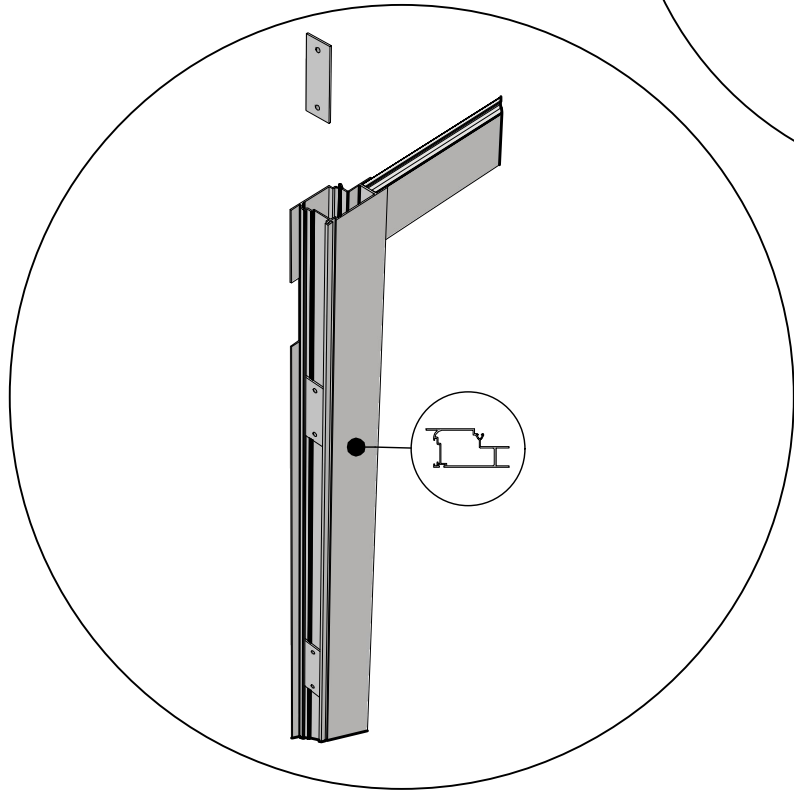
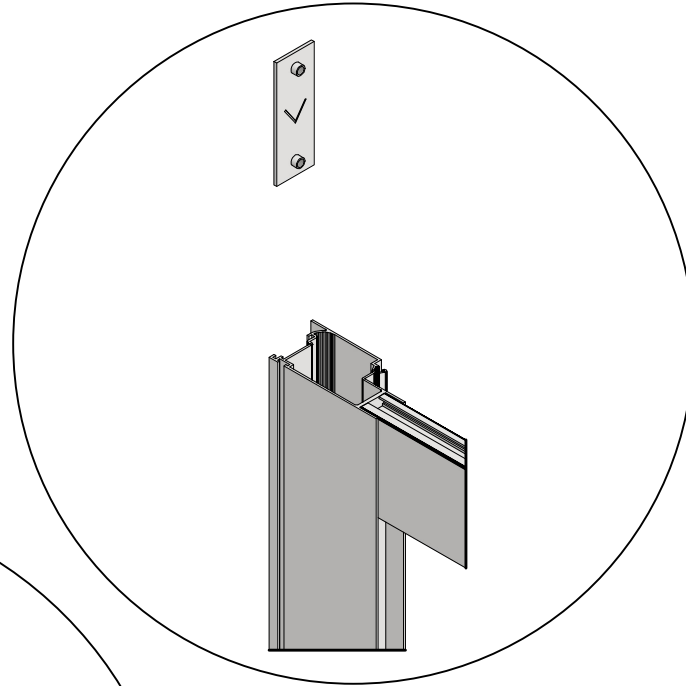


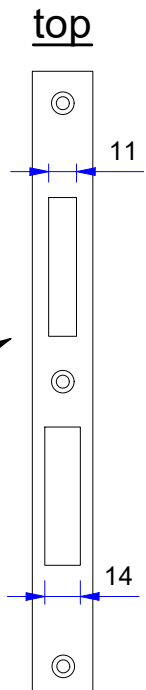
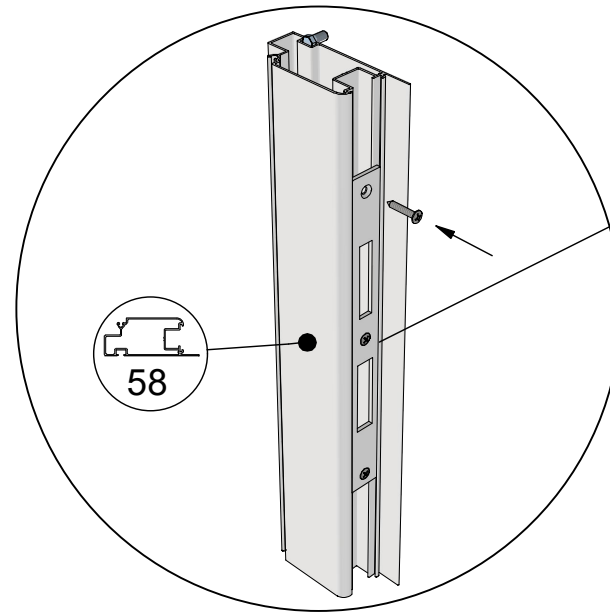
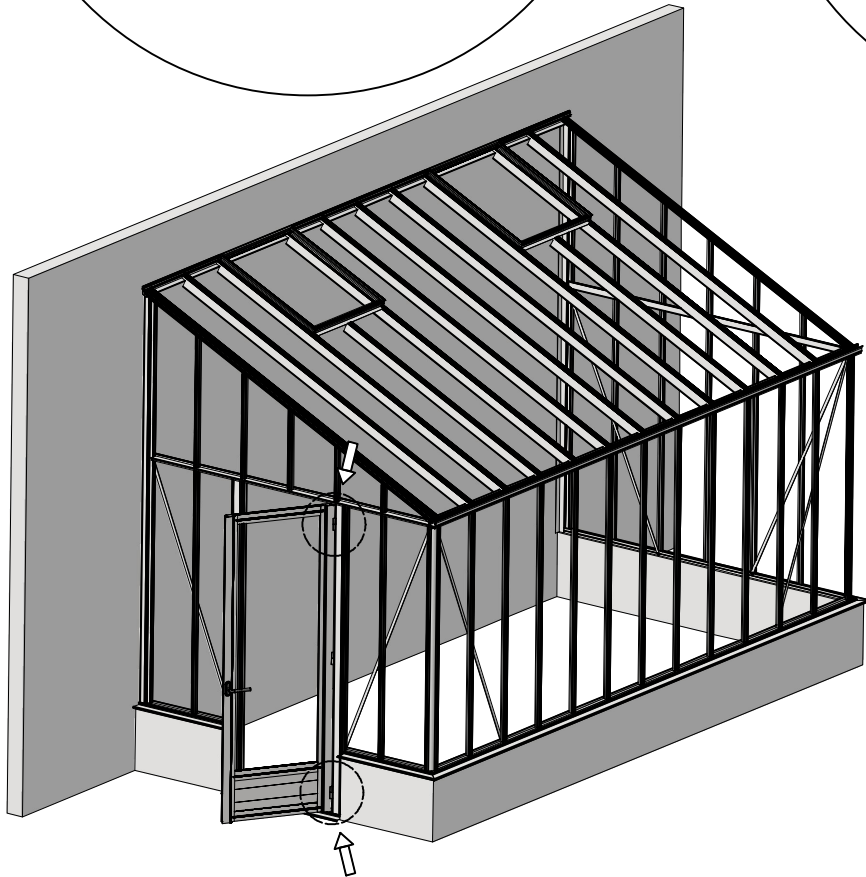
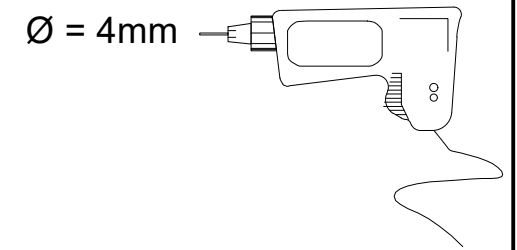
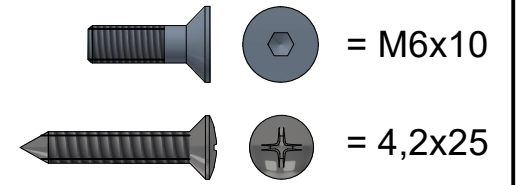
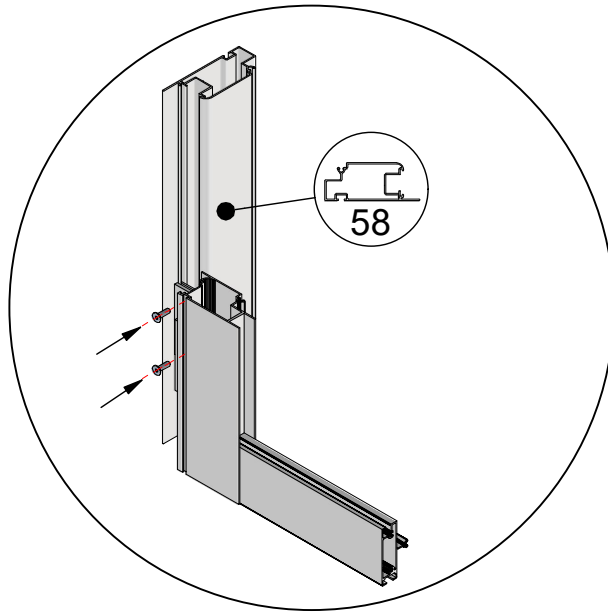
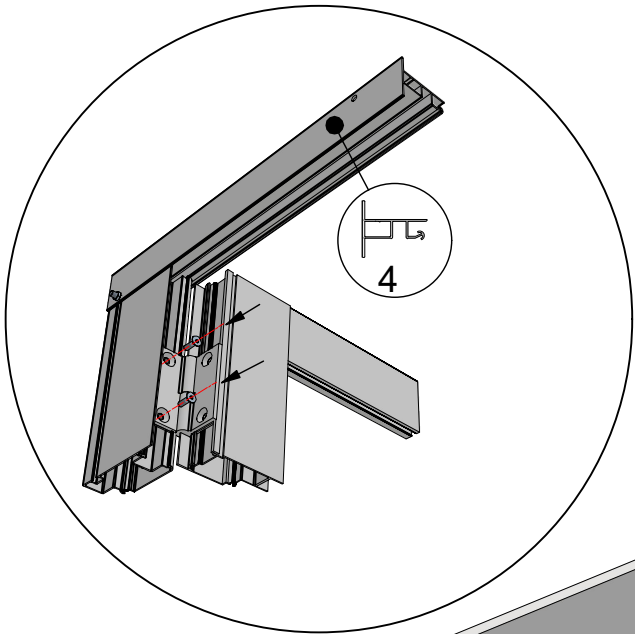
Poly





 = M6x10





Glass Dimensions Nv Euro-serre

Muurserre special on wall

2,33m

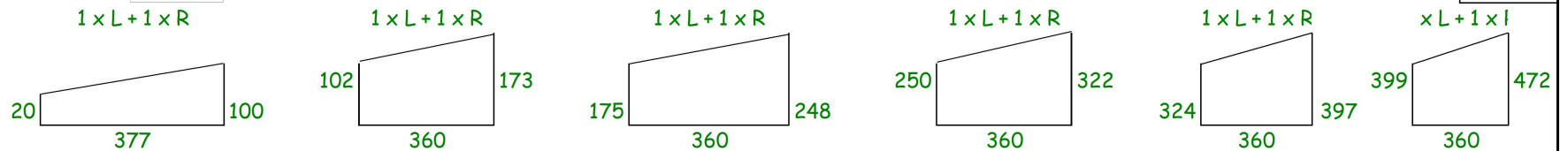
11°

GlassH: 1650

Wall H : 430

Glass Size 730mm	Sides			Size Lenght x Wide			Roof			Size Lenght x Wide			m²	m²
	1650 x 360	1650 x 290	1615 x 730				2332 x 360	1492 x 360	825 x 730					
Muurserre special on wall 2,33m x 3,09m	16	2	1				6	2	1				11,6	6,7
Muurserre special on wall 2,33m x 3,80m	18	2	1				6	4	2				12,8	8,4
Muurserre special on wall 2,33m x 4,57m	20	2	1				8	4	2				14,0	10,1
Muurserre special on wall 2,33m x 5,30m	22	2	1				8	6	3				15,2	11,7
Muurserre special on wall 2,33m x 6,04m	24	2	1				10	6	3				16,4	13,4
Muurserre special on wall 2,33m x 6,77m	26	2	1				12	6	3				17,6	15,1
Muurserre special on wall 2,33m x 7,53m	28	2	1				14	6	3				18,8	16,8
Muurserre special on wall 2,33m x 8,30m	30	2	1				14	8	4				20,0	18,5

Points



1,24 m²

Glass Dimensions Nv Euro-serre

Muurserre special on wall

2,33m

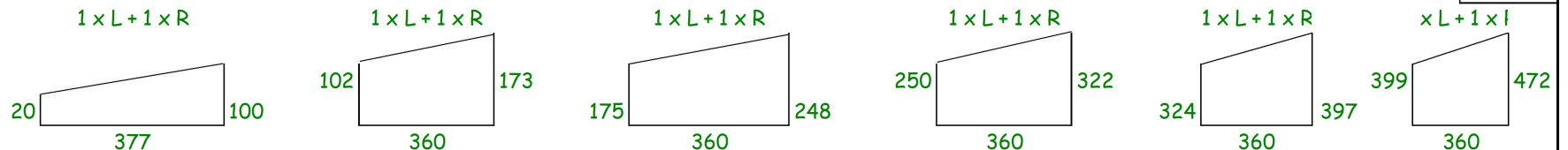
11°

GlassH: 1450

Wall H : 630

Glass Size 730mm	Sides			Size Lenght x Wide			Roof			Size Lenght x Wide			m²	m²
	1450 x 360	1450 x 290	1350 x 730				2332 x 360	1492 x 360	825 x 730					
Muurserre special on wall 2,33m x 3,09m	16	2	1				6	2	1				10,2	6,7
Muurserre special on wall 2,33m x 3,80m	18	2	1				6	4	2				11,2	8,4
Muurserre special on wall 2,33m x 4,57m	20	2	1				8	4	2				12,3	10,1
Muurserre special on wall 2,33m x 5,30m	22	2	1				8	6	3				13,3	11,7
Muurserre special on wall 2,33m x 6,04m	24	2	1				10	6	3				14,4	13,4
Muurserre special on wall 2,33m x 6,77m	26	2	1				12	6	3				15,4	15,1
Muurserre special on wall 2,33m x 7,53m	28	2	1				14	6	3				16,4	16,8
Muurserre special on wall 2,33m x 8,30m	30	2	1				14	8	4				17,5	18,5

Points



1,24 m²

Glass Dimensions Nv Euro-serre

Muurserre special on wall

2,33m

11°

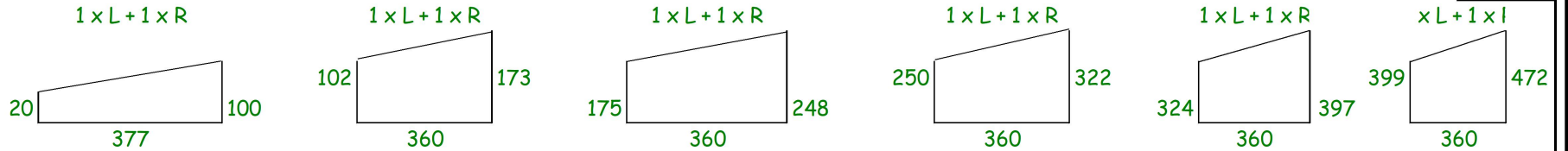
GlassH: 1250

Wall H : 830

Glass Size 730mm	Sides			Size Lenght x Wide	Roof	Size Lenght x Wide			m ²	m ²
	1250 x 360	1250 x 290	1175 x 730		2332 x 360	1492 x 360	825 x 730			
Muurserre special on wall 2,33m x 3,09m	16	2	1		6	2	1	8,8	6,7	
Muurserre special on wall 2,33m x 3,80m	18	2	1		6	4	2	9,7	8,4	
Muurserre special on wall 2,33m x 4,57m	20	2	1		8	4	2	10,6	10,1	
Muurserre special on wall 2,33m x 5,30m	22	2	1		8	6	3	11,5	11,7	
Muurserre special on wall 2,33m x 6,04m	24	2	1		10	6	3	12,4	13,4	
Muurserre special on wall 2,33m x 6,77m	26	2	1		12	6	3	13,3	15,1	
Muurserre special on wall 2,33m x 7,53m	28	2	1		14	6	3	14,2	16,8	
Muurserre special on wall 2,33m x 8,30m	30	2	1		14	8	4	15,1	18,5	

1,24 m²

Points



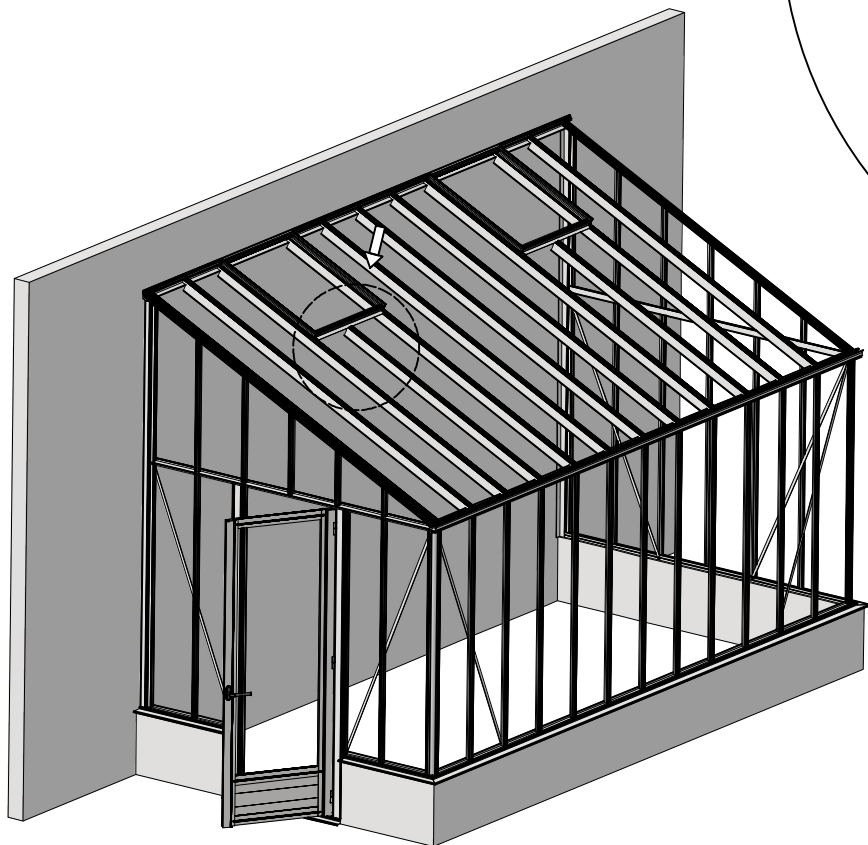
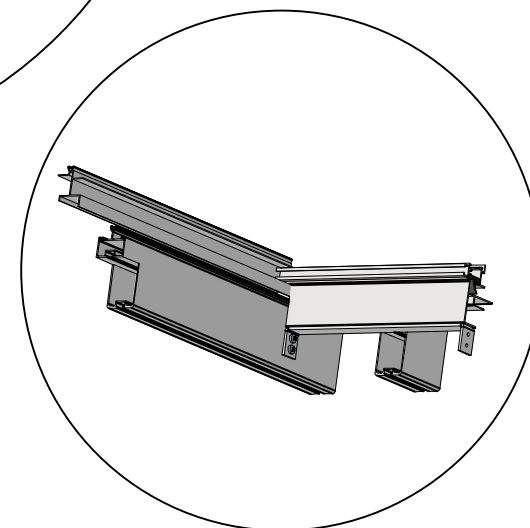
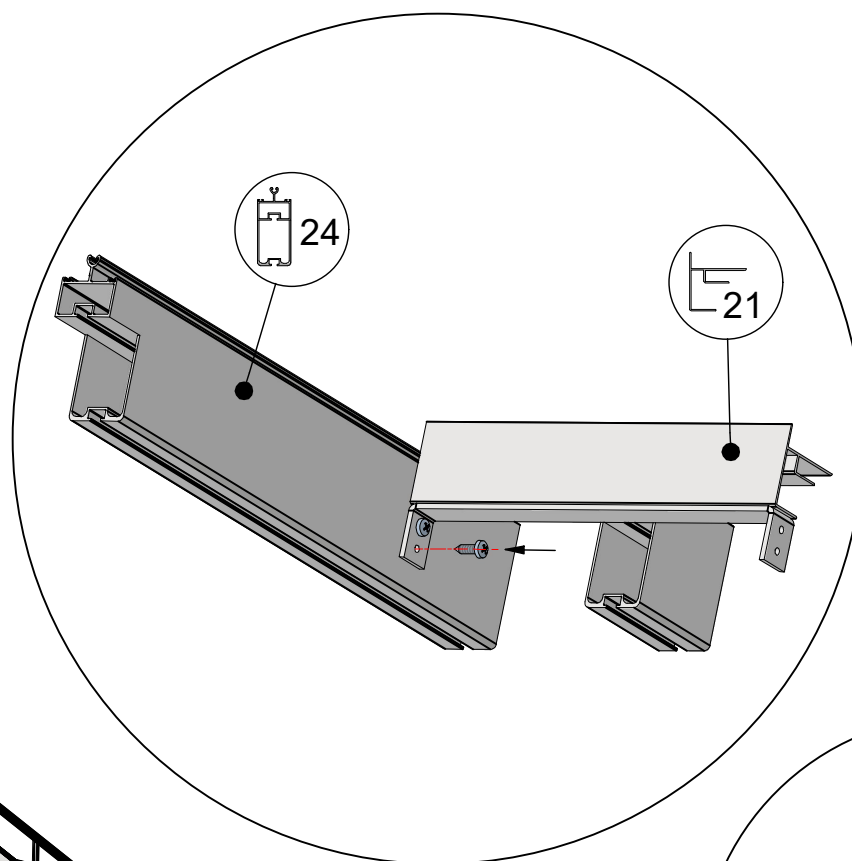
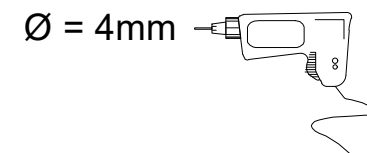
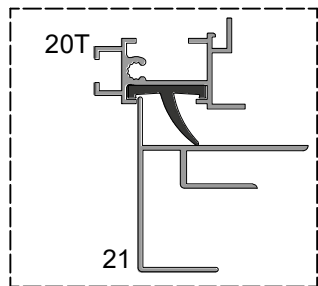
Opgemaakt op 27-10-2022

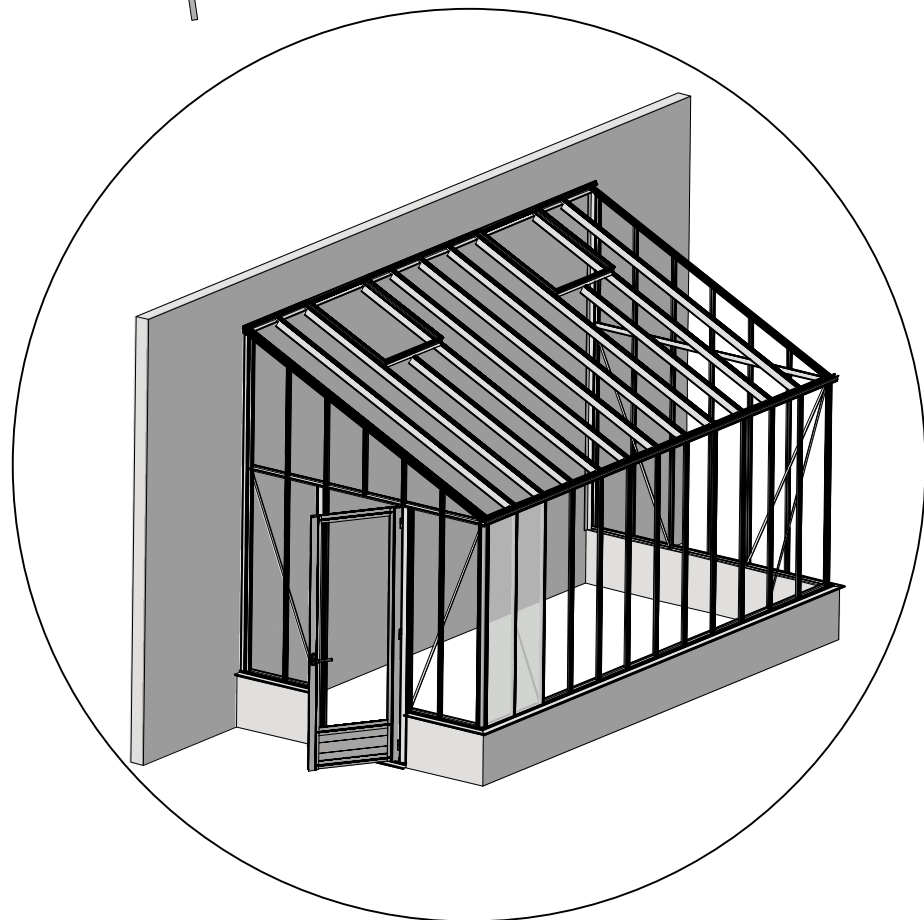
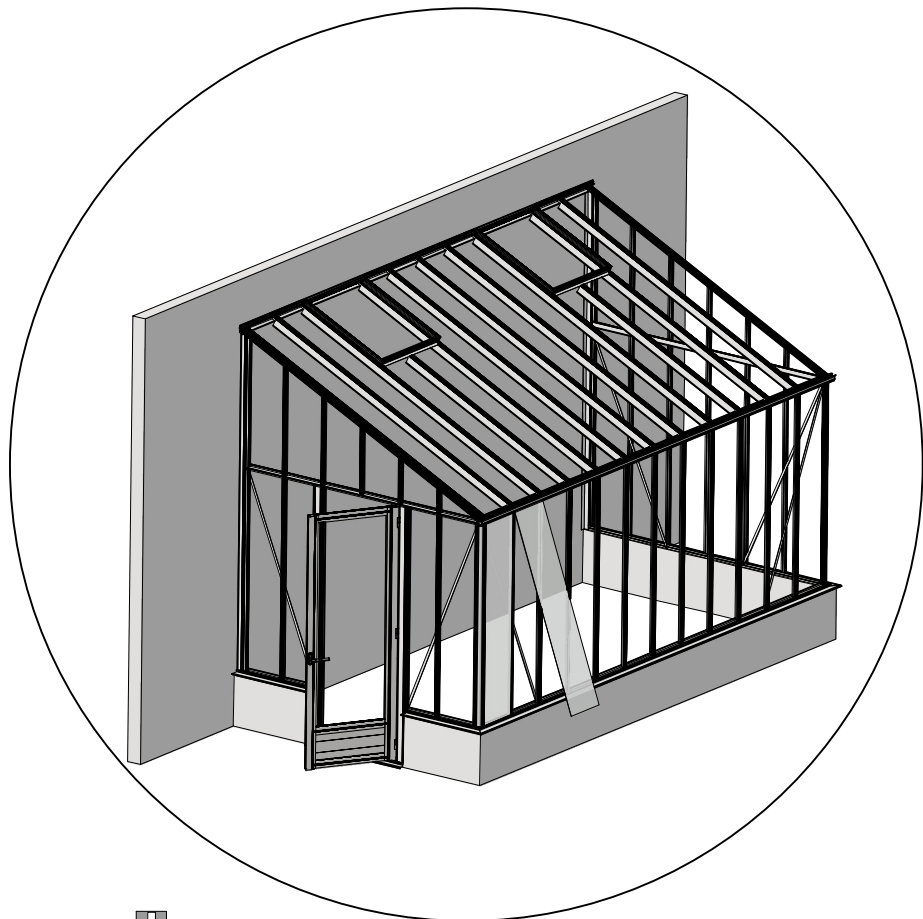
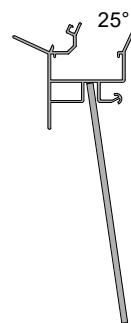
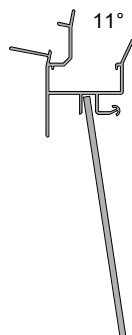
Glass Dimensions Nv Euro-serre		Muurserre special on wall			2,33m	25°	GlassH: 1650			Wall H : 430			
Glass Size 730mm	Sides		Size Lenght x Wide		Roof		Size Lenght x Wide			Poly			
	1650 x 360	1650 x 290	1615 x 730		2465 x 360	1635 x 360	825 x 730	2465 x 360	1635 x 360	m²	m²		
Muurserre special on wall	2,33m x 3,09m	16	2	1	6	2	1 or 1	6		2	11,6	7,1	
Muurserre special on wall	2,33m x 3,80m	18	2	1	6	4	2 or 2	6		4	12,8	8,9	
Muurserre special on wall	2,33m x 4,57m	20	2	1	8	4	2 or 2	8		4	14,0	10,7	
Muurserre special on wall	2,33m x 5,30m	22	2	1	8	6	3 or 3	8		6	15,2	12,4	
Muurserre special on wall	2,33m x 6,04m	24	2	1	10	6	3 or 3	10		6	16,4	14,2	
Muurserre special on wall	2,33m x 6,77m	26	2	1	12	6	3 or 3	12		6	17,6	16,0	
Muurserre special on wall	2,33m x 7,53m	28	2	1	14	6	3 or 3	14		6	18,8	17,8	
Muurserre special on wall	2,33m x 8,30m	30	2	1	14	8	4 or 4	14		8	20,0	19,5	
Points											2,33 m²		

Glass Dimensions Nv Euro-serre		Muurserre special on wall			2,33m	25°	GlassH: 1450			Wall H : 630			
Glass Size 730mm	Sides		Size Lenght x Wide		Roof		Size Lenght x Wide			Poly			
	1450 x 360	1450 x 290	1350 x 730		2465 x 360	1635 x 360	825 x 730	2465 x 360	1635 x 360	m²	m²		
Muurserre special on wall	2,33m x 3,09m	16	2	1	6	2	1 or 1	6		2	10,2	7,1	
Muurserre special on wall	2,33m x 3,80m	18	2	1	6	4	2 or 2	6		4	11,2	8,9	
Muurserre special on wall	2,33m x 4,57m	20	2	1	8	4	2 or 2	8		4	12,3	10,7	
Muurserre special on wall	2,33m x 5,30m	22	2	1	8	6	3 or 3	8		6	13,3	12,4	
Muurserre special on wall	2,33m x 6,04m	24	2	1	10	6	3 or 3	10		6	14,4	14,2	
Muurserre special on wall	2,33m x 6,77m	26	2	1	12	6	3 or 3	12		6	15,4	16,0	
Muurserre special on wall	2,33m x 7,53m	28	2	1	14	6	3 or 3	14		6	16,4	17,8	
Muurserre special on wall	2,33m x 8,30m	30	2	1	14	8	4 or 4	14		8	17,5	19,5	
Points											2,33 m²		

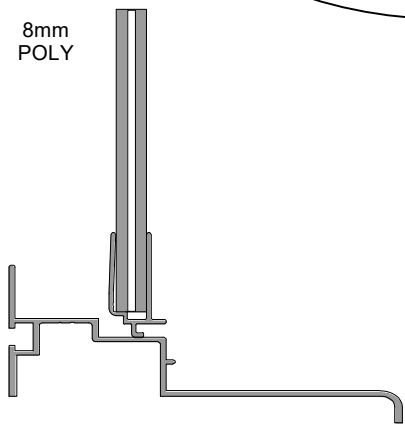
Glass Dimensions Nv Euro-serre		Muurserre special on wall			2,33m	25°	GlassH: 1250	Wall H : 830						
Glass Size 730mm		Sides		Size Lenght x Wide	Roof			Size Lenght x Wide	Poly					
		1250 x 360	1250 x 290	1175 x 730				2465 x 360	1635 x 360	825 x 730	2465 x 360	1635 x 360	m ²	m ²
Muurserre special on wall	2,33m x 3,09m	16	2	1				6	2	1 or 1	6	2	8,8	7,1
Muurserre special on wall	2,33m x 3,80m	18	2	1				6	4	2 or 2	6	4	9,7	8,9
Muurserre special on wall	2,33m x 4,57m	20	2	1				8	4	2 or 2	8	4	10,6	10,7
Muurserre special on wall	2,33m x 5,30m	22	2	1				8	6	3 or 3	8	6	11,5	12,4
Muurserre special on wall	2,33m x 6,04m	24	2	1				10	6	3 or 3	10	6	12,4	14,2
Muurserre special on wall	2,33m x 6,77m	26	2	1				12	6	3 or 3	12	6	13,3	16,0
Muurserre special on wall	2,33m x 7,53m	28	2	1				14	6	3 or 3	14	6	14,2	17,8
Muurserre special on wall	2,33m x 8,30m	30	2	1				14	8	4 or 4	14	8	15,1	19,5
Points												2,33 m ²		
		1 x L + 1 x R		1 x L + 1 x R		1 x L + 1 x R		1 x L + 1 x R		1 x L + 1 x R		1 x L + 1 x R		
		15	175	180	320	325	466	470	610	615	757	760	905	
		377	360	360	360	360	360	360	360	360	360	360	360	

Opgemaakt op 27-10-2022

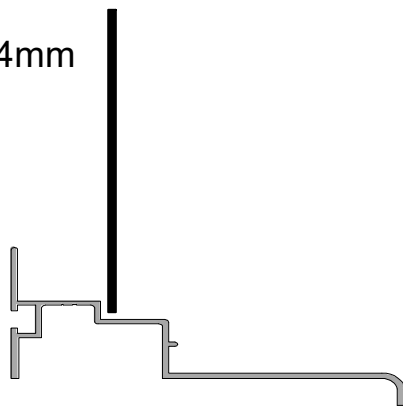


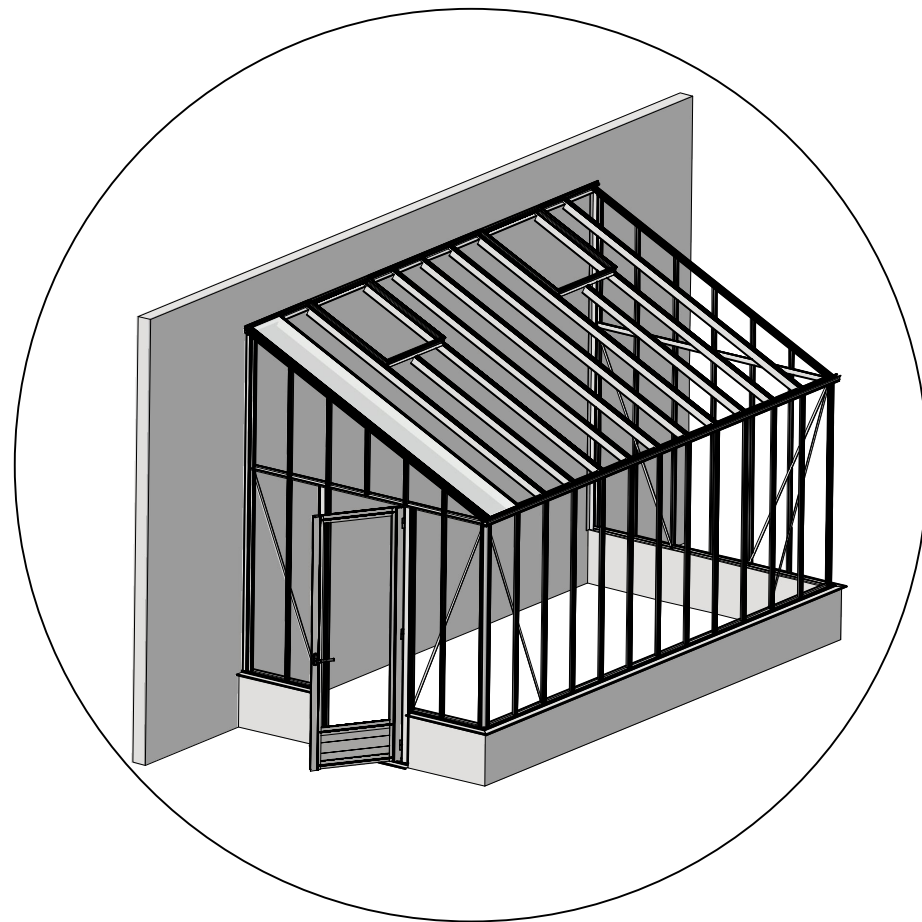
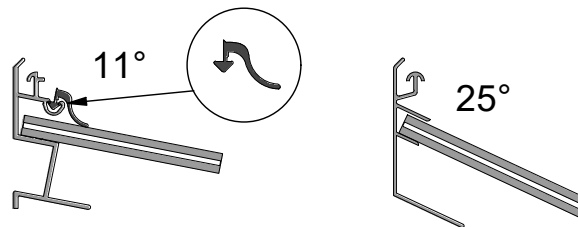
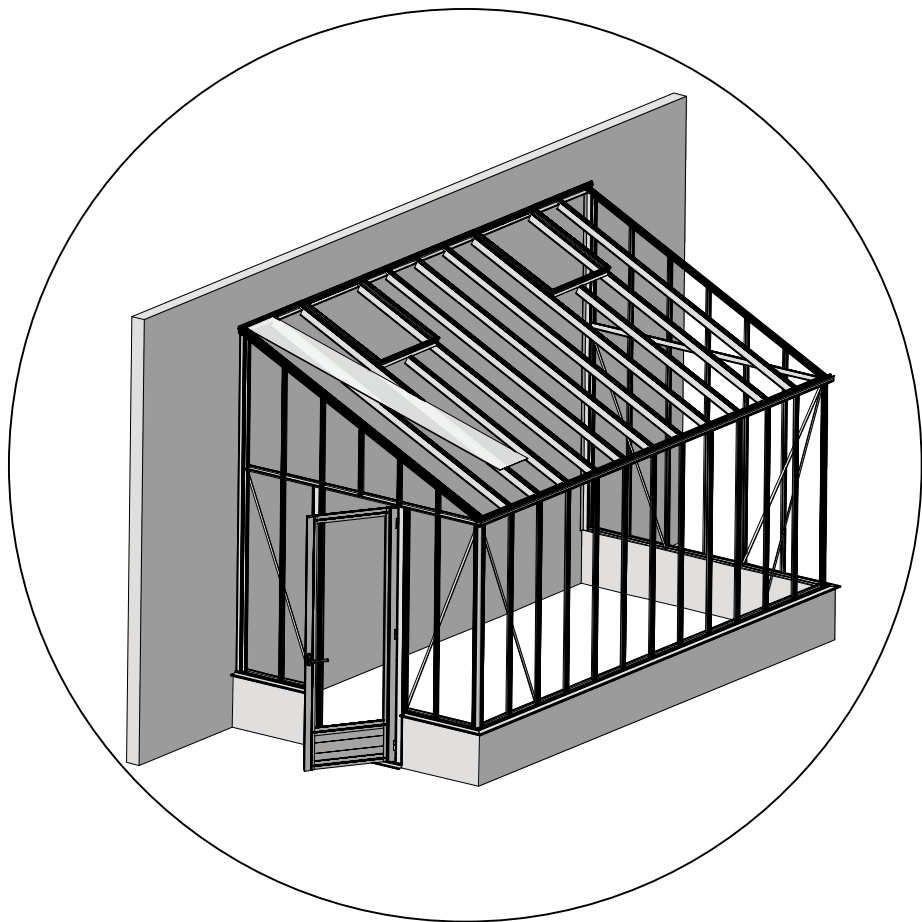


8mm
POLY

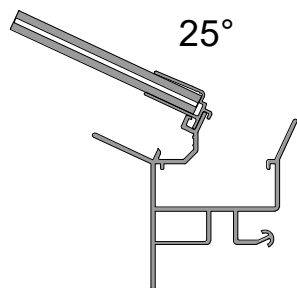
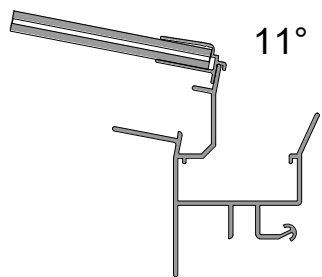


4mm

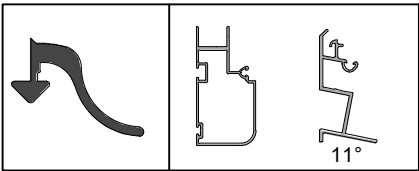
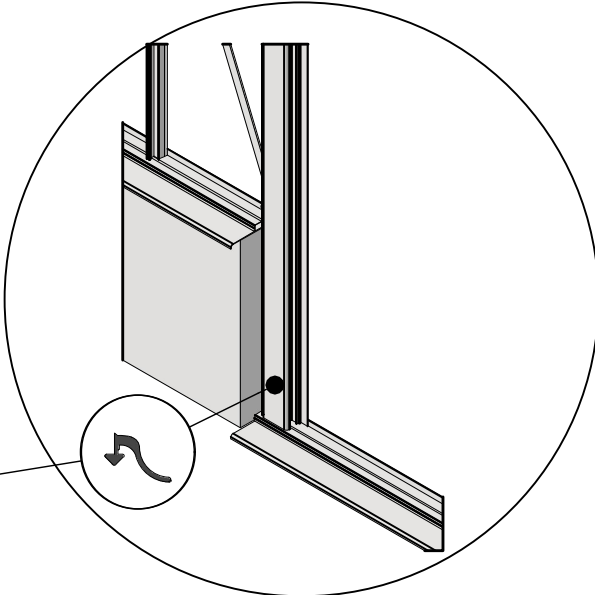
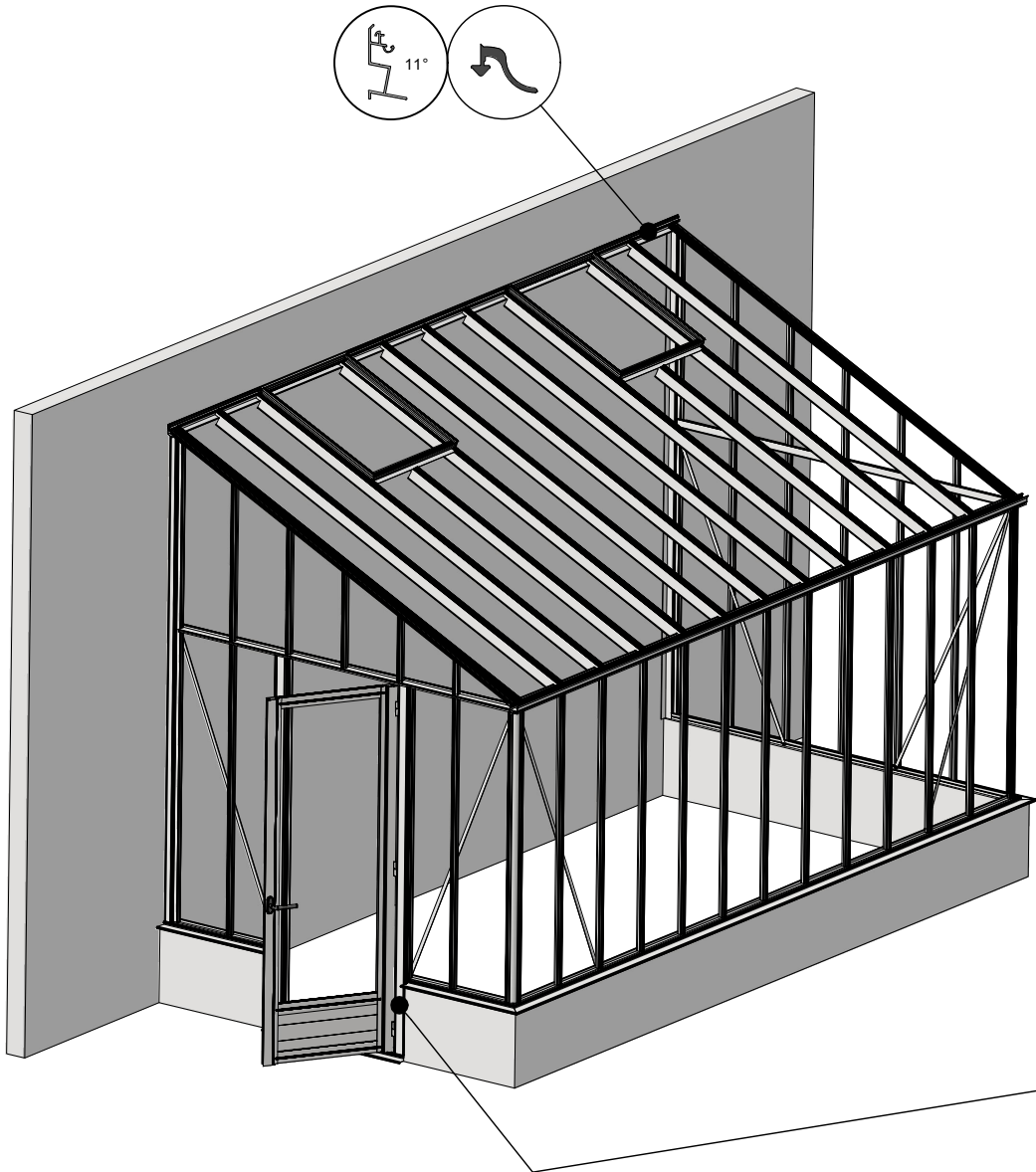


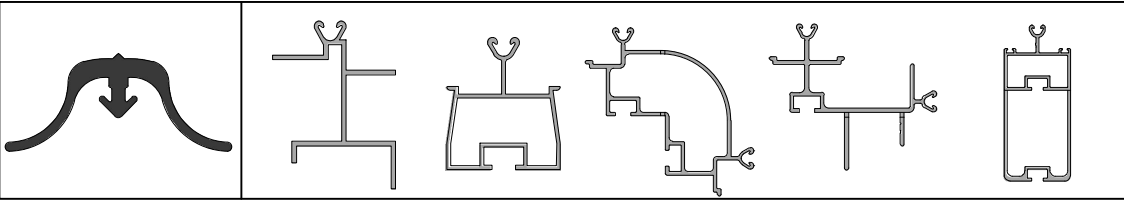
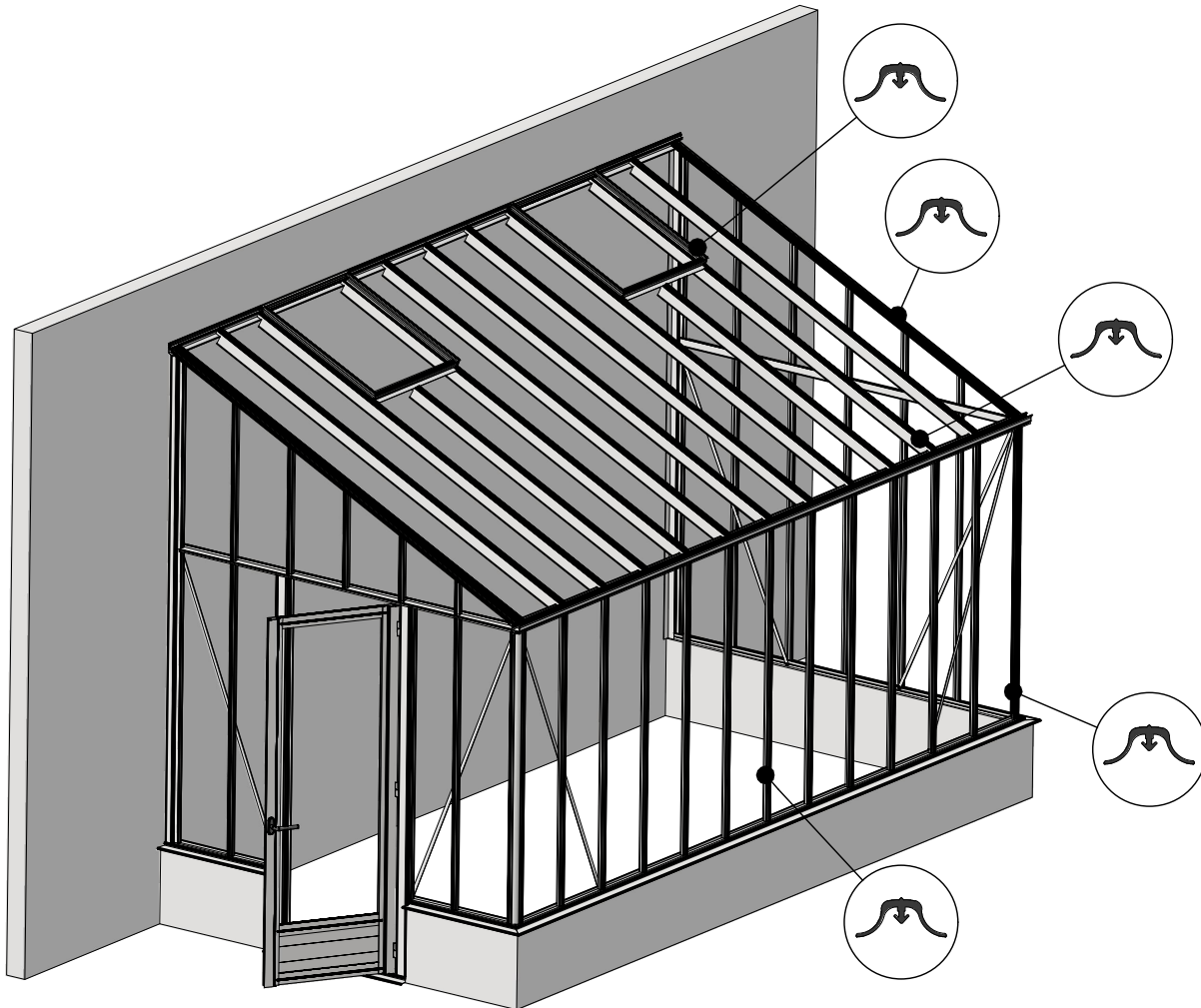


POLY

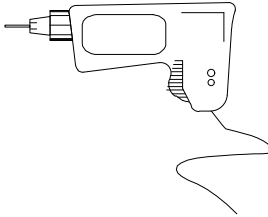


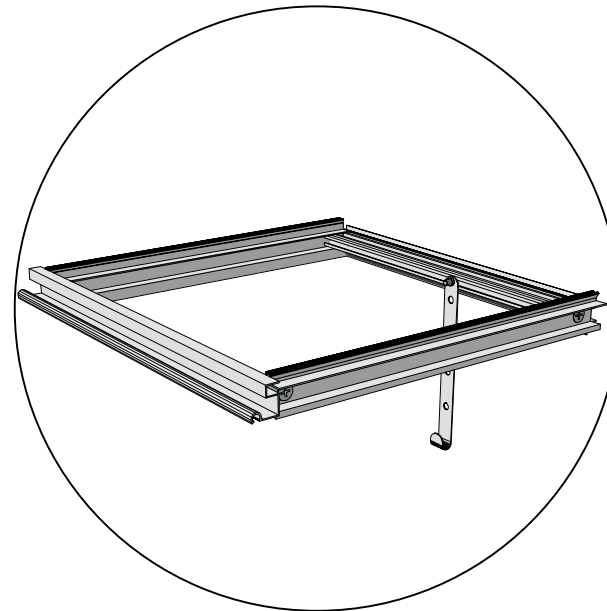
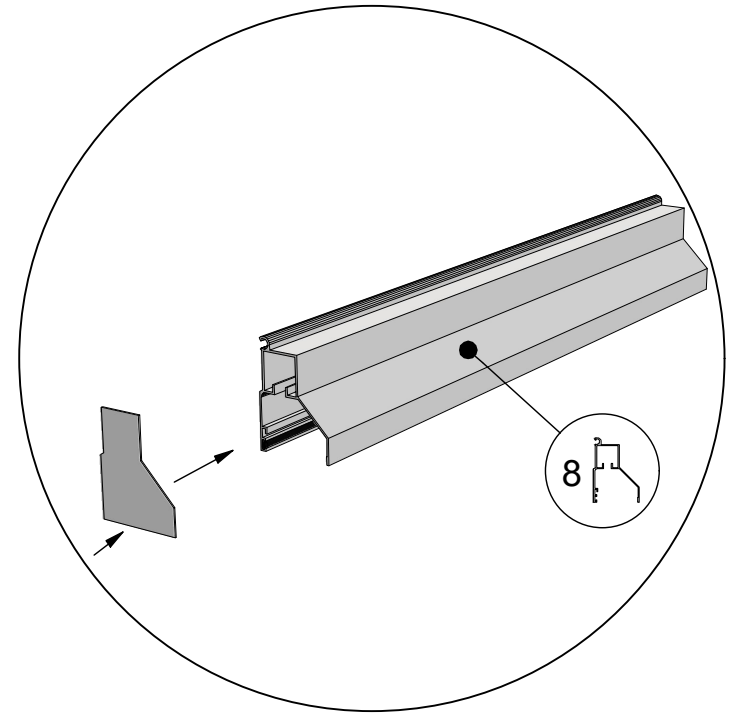
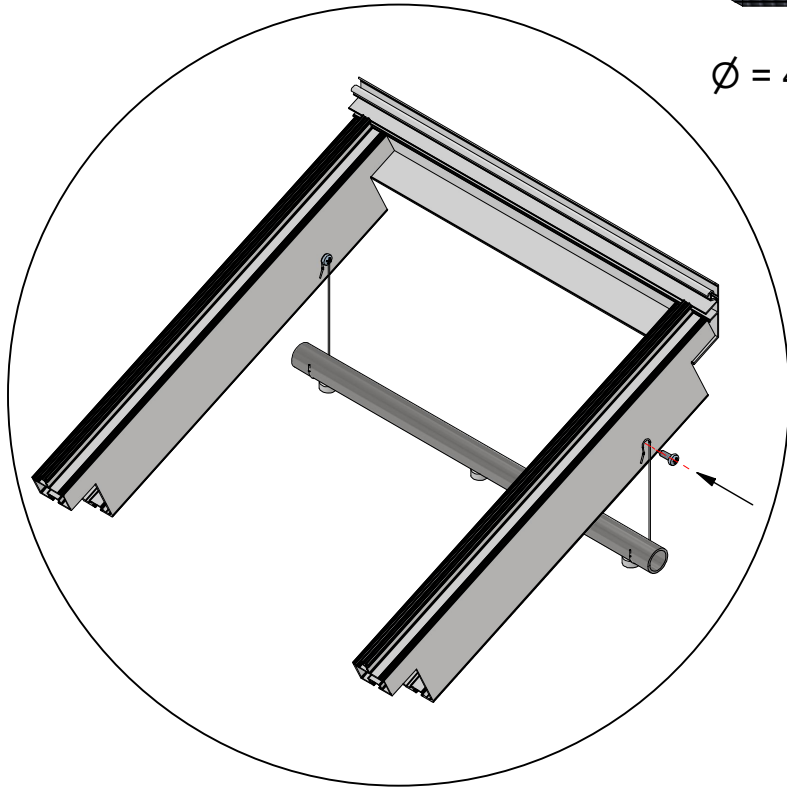


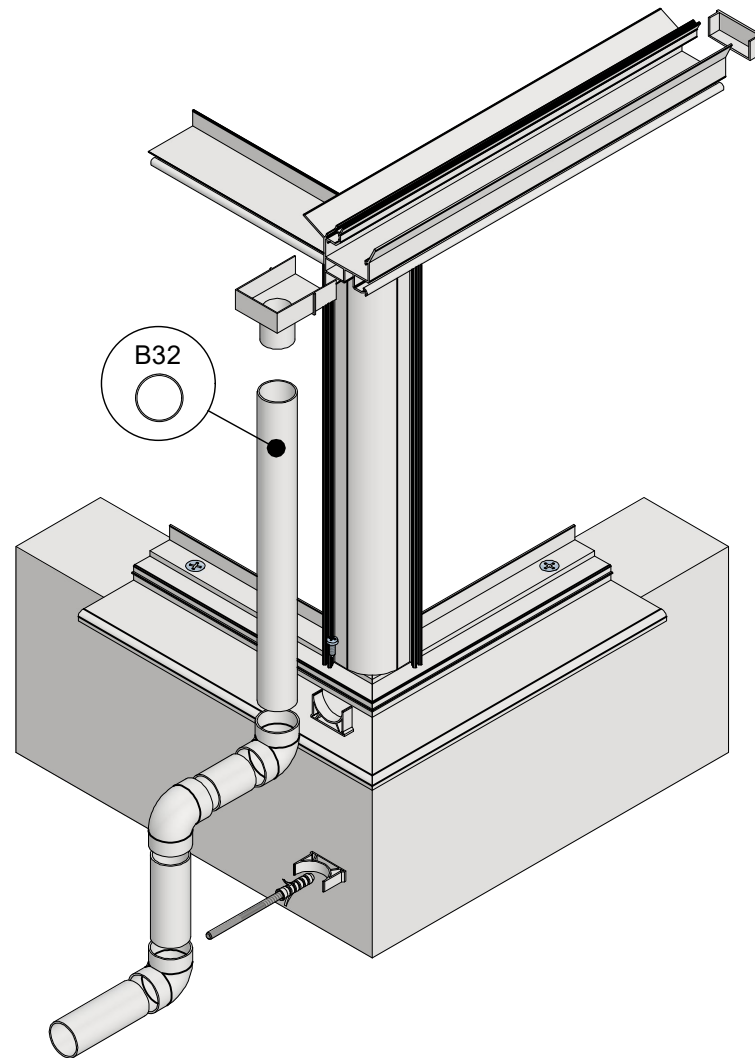
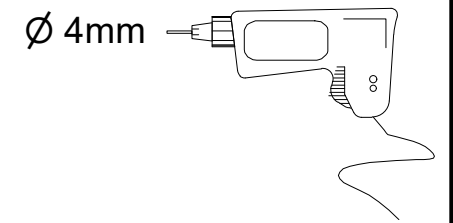
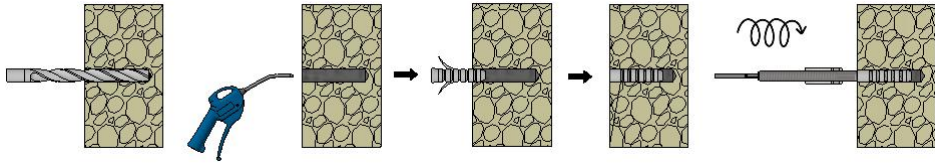




 = 4,8x16

$\varnothing = 4\text{mm}$ 





40



Geleenlaan 1 - 3600 Genk

ref: Muurserre special on wall-001 Rev. 05.10.2023

OCBS - 1148-CPR-20231003-989 C €

EN 1090-1 EXC 1

Euro-Muurserre special on wall

www.euroserre.com/cecificaten